

# TECHNICAL DATA SHEET - Armor Lock Plus™ Security Cable



**Model: ACC 021**

The **Armor Lock Plus** security cable features a multi-strand steel cable with black vinyl sheath providing an extra level of security for projector installations.

**Features:**

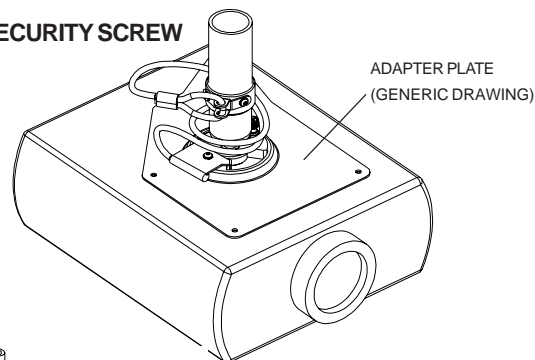
- Ships complete with 1/4" diameter cable, security screws, security allen wrench, glue, and an attachment plate for easy connection to the mount and projector.
- Can either be attached using a security screw or glue (Encore™ & PRS Series mounts only offer glue option)
- For use with any projector
- Provides an extra level of security beyond the Armor Lock™ security already built into the projector mount.

**Dimensions:**

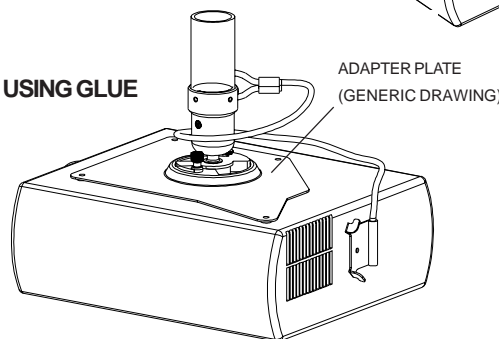
Shipping Weight: 0.9 lb (0.4 kg)  
 For product dimensions, see page 2.

**Shown with Vector Pro™/Vector Pro Plus™ mounts**

**USING SECURITY SCREW**

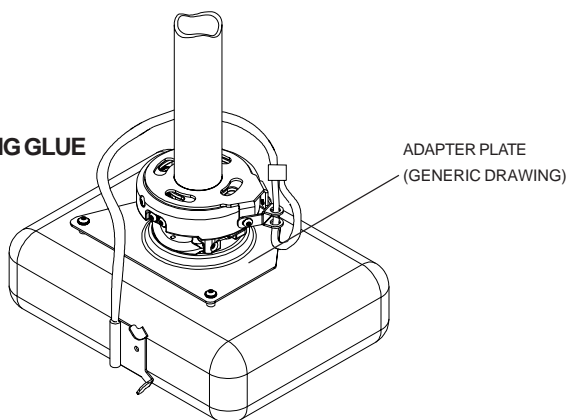


**USING GLUE**



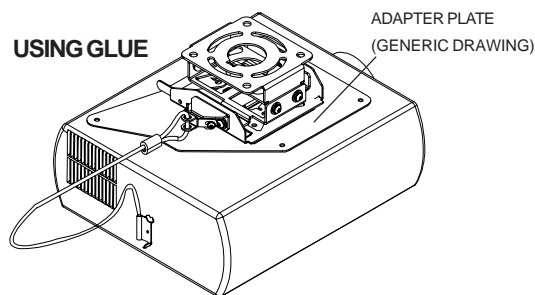
**Shown with PRS Series Mount**

**USING GLUE**



**Shown with Encore**

**USING GLUE**



**ARCHITECTSSPECIFICATIONS:**

The Armor Lock Plus security cable shall be a Peerless model ACC 021. It shall be constructed of multi-strand steel cable with black vinyl sheath. It shall feature security screws. Installation and assembly shall be done in accordance with the instructions provided by the manufacturer.

TECHNICAL DATA SHEET

**Model: ACC 021**

ALL DIMENSION =  $\frac{\text{INCH}}{(\text{MM})}$

