

Installation and Assembly-Tray for Elevation Pedestal Stand

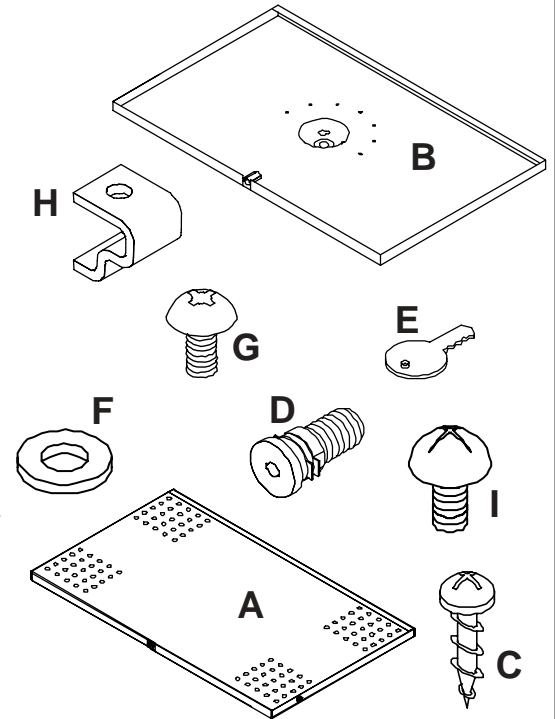
Model:
 TPD 334, TPD 354,
 TPD 375, TPD 375T,
 TPD 530, TPD 530T,
 TPD 310, TPD 314.

IMPORTANT! Read entire instruction sheet before you start installation and assembly. Before you start check the parts list to make sure all of the parts shown are included.

Parts List

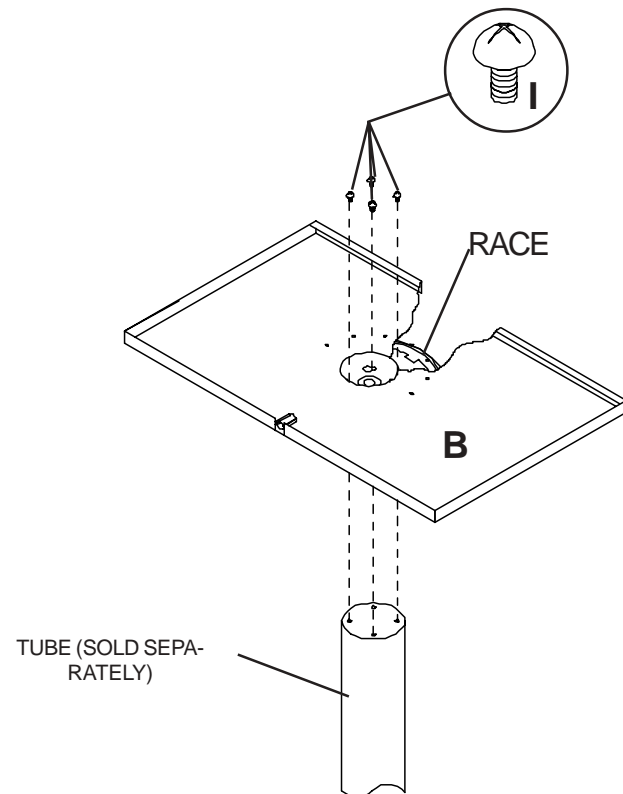
Description	Qty.	Part Number
A upper tray	1	1235-375K (TPD 334 only)
upper tray	1	2245-378 (TPD 354 only)
upper tray	1	2245-371 (TPD 375 & 375T)
upper tray	1	1436-373 (TPD 530 & 530T)
upper tray	1	2363-373 (TPD 310 only)
upper tray	1	2366-371 (TPS 314 only)
B lower tray	1	090-0077 (TPD 334 only)
lower tray	1	090-0074 (TPD 354 only)
lower tray	1	120-0013 (TPD 375 only)
lower tray	1	120-0053 (TPD 375T only)
lower tray	1	120-0015 (TPD 530 only)
lower tray	1	120-0002 (TPD 530T only)
lower tray	1	090-0075 (TPD 310 only)
lower tray	1	090-0076 (TPD 314 only)
C #10 sheet metal screw	4	500-9006
D lock plug	1	3022-502
E key	1	0000-322
F #10 flat washer	4	540-9400
G M5 x .8 x 10 mm screw	2	520-9250
H uni. clip	2	2245-081
I 1/4" phillips machine screw	4	510-9107

NOTE: Parts may appear slightly different then illustrated



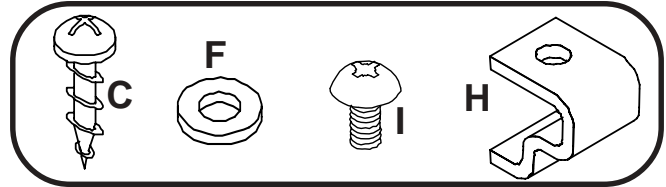
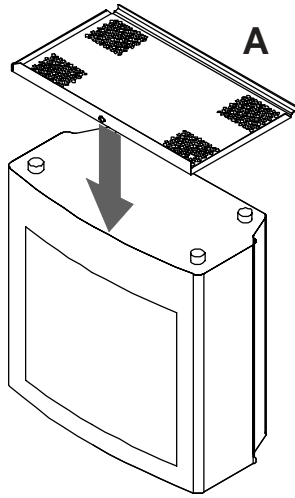
- Attach lower tray (**B**) to tube (sold separately) using four 1/4-20 x 3/8 phillips screws (**I**). Tighten securely. If the holes in the race on bottom of tray are not aligned, use a screwdriver and hammer to gently tap the race so that the holes are visible.

Note: The race on the lower tray (N) bottom is extremely difficult to swivel without the weight of the TV on the tray.



2

Turn TV upside down on flat, stable surface. Using four sets of screws (C) and washers (F) (for attachment to mounting bosses if present), or uni-clips (H) and M5 screws (I) (see instruction card in fastener pack), or a combination of both, attach upper tray (A) to TV bottom. Attach at four places as close to the four corners of the TV bottom as possible.

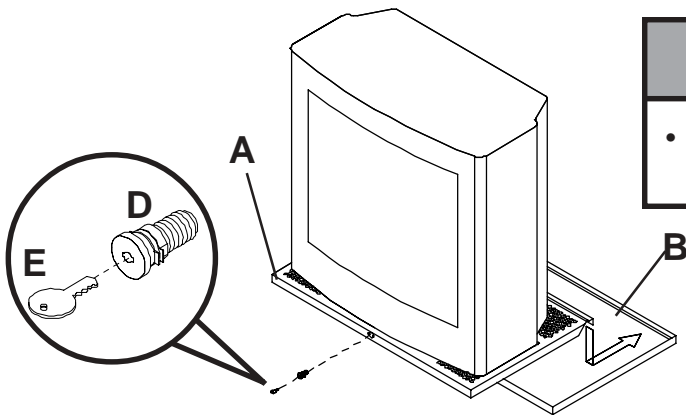


3

Insert key (E) into lock plug (D). Attach TV/ upper tray (A) to lower tray (B) as shown.

▲ WARNING

- Always use an assistant or mechanical lifting equipment to safely lift and position the television.



Slide upper tray (A) back until fully engaged. Firmly hold in position while you insert and tighten lock plug (D), several turns, until fully engaged.

Note: To remove key (E), slot must be in the horizontal position. This may require that you back off 1/4 turn.

