

# TECHNICAL DATA SHEET - DVD Tray Accessory for Pedestal



**MODEL: ACC 833**

**Features:**

- Shelf can accommodate DVD, VCR or Stereo components
- Mounts to 3.5" pole used in Peerless' pedestal displays
- Can be mounted anywhere along the length of the column, facing any direction

**Dimensions:**

**Weight:**

**8.2 lbs. (3.7 kg)**

**Shipping weight:**

**10.1 lbs. (4.6 kg.)**

**Maximum Load Capacity:**

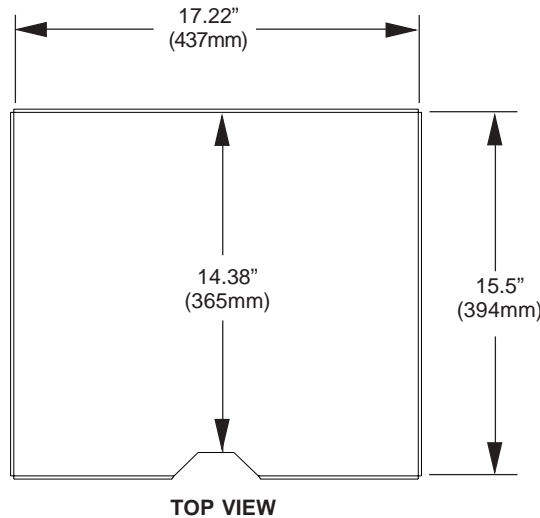
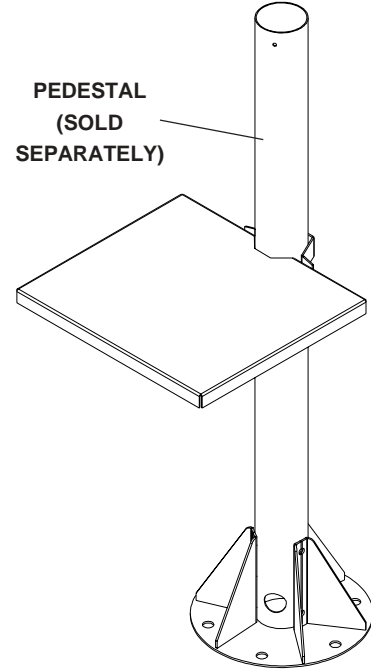
**40 lbs. (18.2 kg.)**

**Shipping Carton dimensions:**

**L= 21 in (533mm)**

**W= 16.5 in (419mm)**

**H= 3.5 in (89mm)**



### ARCHITECTS SPECIFICATIONS

The DVD Tray Accessory for Pedestal shall be a Peerless model **ACC 833** and shall be located where indicated on the plans. It shall be constructed of heavy gauge cold rolled steel. The finish shall be scratch resistant Black Fused Epoxy. Assembly and installation shall be done according to instructions provided by the manufacturer.

**Peerless Industries, Inc.**  
 3215 W. North Ave. Melrose Park, IL 60160  
 708-865-8870 800-865-2112 Fax 708-865-2941  
[www.peerlessindustries.com](http://www.peerlessindustries.com)

**ISSUED: 07-16-02 SHEET NO: 200-9712-1**

©2002 Peerless Industries, Inc. All rights reserved.  
 Peerless is a registered trademark of Peerless Industries, Inc.