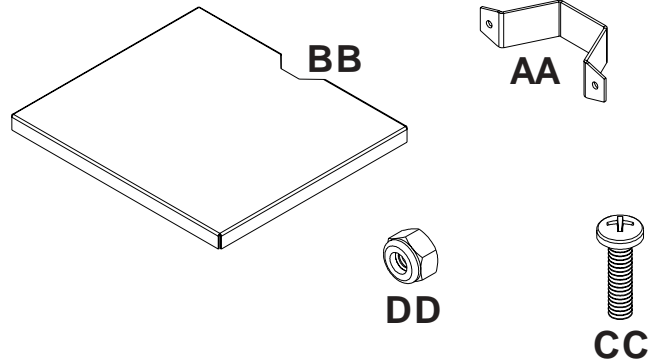


**IMPORTANT!** Read entire instruction sheet before you start installation and assembly.

Before you start make sure all parts shown below are included with your bracket.

## Parts List

PARTNO.	QTY.	DESCRIPTION
AA	124-1668	1 u clamp
BB	124-1686	1 tray
CC	510-9110	2 1/4-20 x 1phillips screw
DD	530-9413	2 1/4-20 nylock nut



**1**

Insert two screws (CC) into holes of u clamp (AA). Hold tray (BB) to desired position on pedestal and fasten u clamp (AA) to tray (BB) using two screws (CC) and two nuts (DD) as shown.

**Note:** Make sure tray is positioned low enough so that tray and DVD player on tray will not have contact with any object above tray.

**MAXIMUM LOAD  
CAPACITY:  
40 lbs. (18.2 kg)**

