

TECHNICAL DATA SHEET - Vision•Point™ Height Adjustable Desktop Mount with Stationary Base for LCD Screens



MODELS: LCH 100, LCH 100G

Vision•Point Height Adjustable Desktop Mounts, models **LCH 100** and **LCH 100G**, offer superior functionality for countertop applications. Height adjustability, optional side-to-side rotation, and 80° of tilt makes it the ideal, functional desktop mount for LCD screens.

Features:

- For LCD screens up to 25 lb (10" to 20" size range)
- Spring loaded design for height adjustment at four 1" increments from 12 3/8" to 16 3/8" at the touch of a lock pin
- 50° upward tilt and 30° downward tilt
- 360° side to side rotation
- Side to side rotation can be limited to 90° or less, or completely locked
- Screen can be pivoted from portrait to landscape
- Comes with both VESA 75 and 100 mounting plates
- External cord management clips
- For wood and/or wood composite surfaces of at least 3/4" thick; can be installed with one mounting stud to 3/4"- 1 5/8" thick surfaces, or with four wood screws (hardware provided - drilling required)
- Durable aluminum construction and hardened zinc metal frame
- Available in black or light gray

Accessories:

- Adapter plates for screens not featuring a VESA standard hole pattern

Dimensions:

Weight:

4.47 lb (2.0 kg)

Shipping weight:

5.00 lb (2.3 kg)

Maximum Load Capacity:

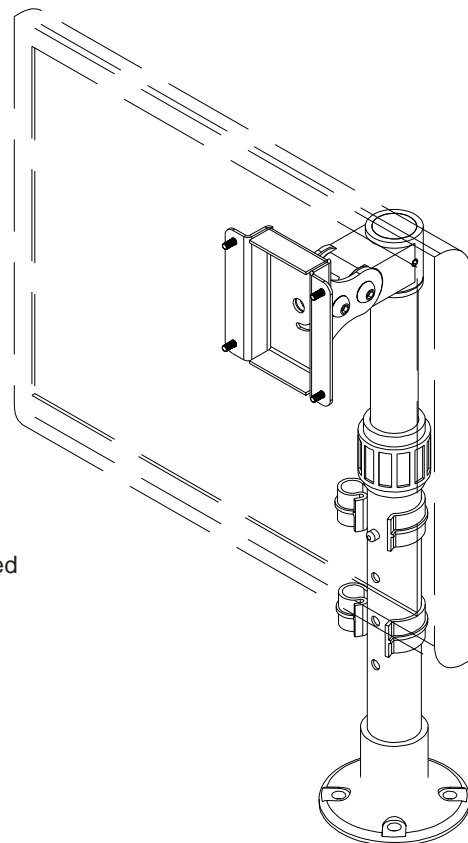
25.00 lb (11.4 kg)

Shipping Carton dimensions:

L= 16.90 in (429 mm)

W= 5.60 in (141 mm)

H= 3.90 in (100 mm)



ARCHITECTS SPECIFICATIONS

The Desktop Arm shall be Peerless models **LCH 100** and **LCH 100G** and shall be located where indicated on the plans. It shall feature a spring loaded design for height adjustment at four 1" increments from 12 3/8" to 16 3/8". It shall feature 50° upward tilt, 30° downward tilt, and 360° side to side rotation. It shall be constructed of aluminum construction and hardened zinc metal frame. Assembly and installation shall be done according to instructions provided by the manufacturer.

Peerless Industries, Inc.

3215 W. North Ave. Melrose Park, IL 60160
708-865-8870 800-865-2112 Fax 708-865-2941

www.peerlessindustries.com

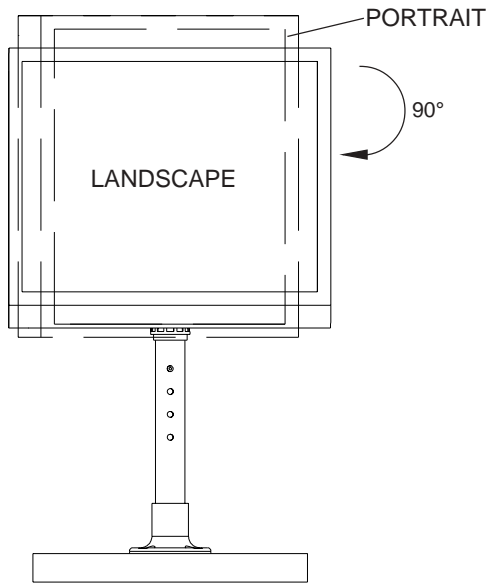
ISSUED: 10-09-02 SHEET NO: 090-9550-1

©2002 Peerless Industries, Inc. All rights reserved.

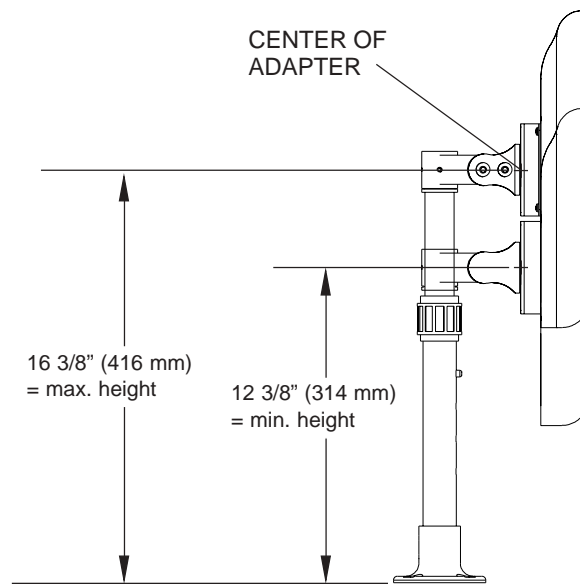
Vision•Point is a trademark and Peerless is a registered trademark of Peerless Industries, Inc.

TECHNICAL DATA SHEET

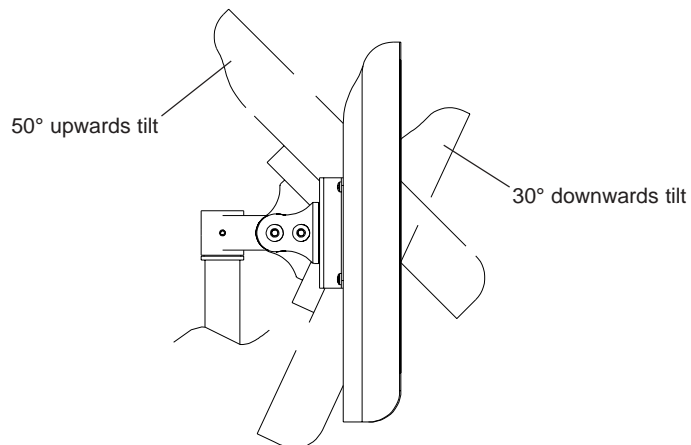
MODELS: LCH 100, LCH 100G



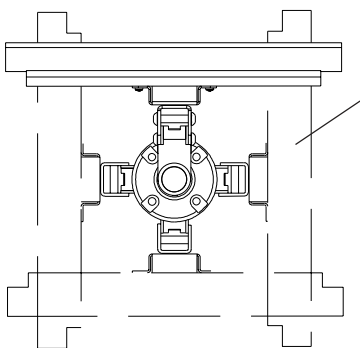
FRONT VIEW



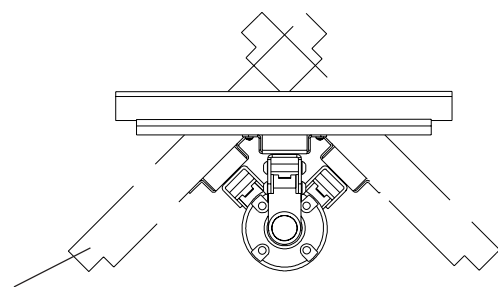
SIDE VIEW



SIDE VIEW



TOP VIEW



TOP VIEW