

TECHNICAL DATA SHEET - Environmental Enclosure 1-4 ft Structural Ceiling or I-Beam Ceiling Extension Column



MODELS: EE 101R, EE 102R, EE 103R, EE 104R

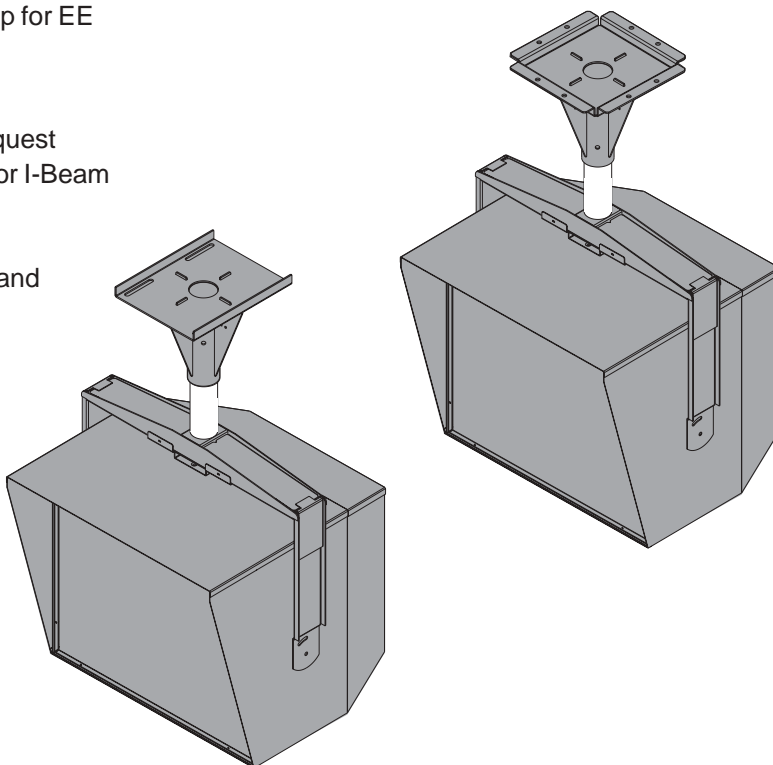
EE 101R - EE 104R offers 4 different lengths of drop for EE ceiling plates and I-Beam plates.

Features:

- Color: Light Gray - Other colors available upon request
- Must be ordered with EE ceiling plate (EE 470R) or I-Beam plate (EE 475R)
- Maintains industry leading wind capacity ratings
- For use with Peerless Environmental Enclosures and accessories only
- Weather-coated

Dimensions:

Maximum Load Capacity:
300 lb (136.1 kg)



Shipping Carton dimensions:

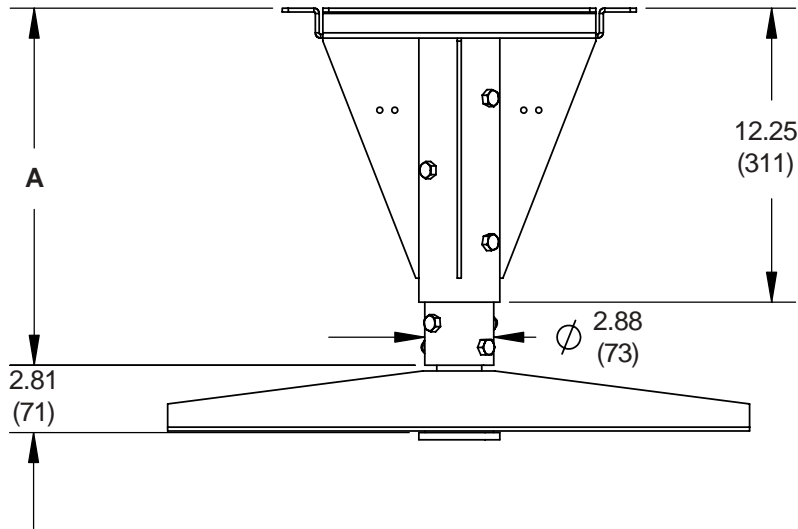
Model:	Weight:	Shipping weight:	Length	Width	Height
EE 101R	11.33 lb (5.1 kg)	12.43 lb (5.6 kg)	3.43 in (87 mm)	3.43 in (87 mm)	15.125 in (384 mm)
EE 102R	17.73 lb (8 kg)	18.83 lb (8.5 kg)	3.43 in (87 mm)	3.43 in (87 mm)	27.125 in (689 mm)
EE 103R	24.05 lb (10.9 kg)	25.1 lb (11.4 kg)	3.43 in (87 mm)	3.43 in (87 mm)	39.125 in (994 mm)
EE 104R	30.86 lb (14 kg)	31.9 lb (14.5 kg)	3.43 in (87 mm)	3.43 in (87 mm)	51.125 in (1299 mm)

This product is wind rated to 110 mph up to Exposure D, 200' Elevation, per Uniform Building Codes (UBC).

ARCHITECTS SPECIFICATIONS

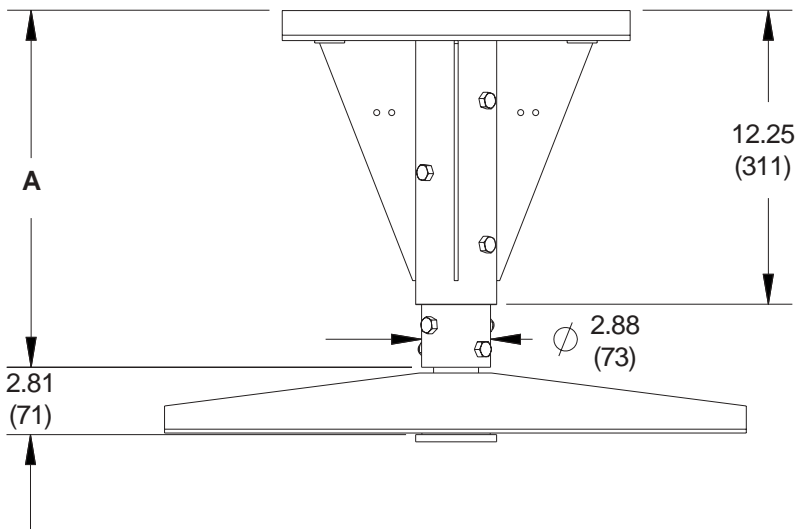
The Environmental Enclosure Extension Column shall be a Peerless model _____ and shall be located where indicated on the plans. Assembly and installation shall be done according to instructions provided by Peerless.

ALL DIMENSIONS: inch
(mm)



Extension Column with Ceiling Mount

Model:	Dimension A:
EE 101R	15.5"
EE 201R	27.5"
EE 301R	39.5"
EE 401R	51.5"



Extension Column with I-Beam Mount

Model:	Dimension A:
EE 101R	15.5"
EE 201R	27.5"
EE 301R	39.5"
EE 401R	51.5"