

Installation and Assembly - Cooling Fan for Environmental Enclosure

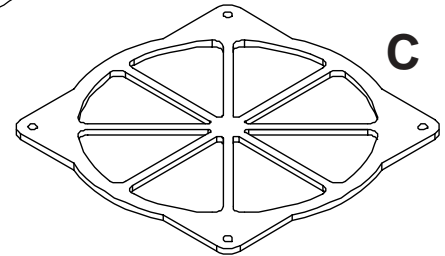
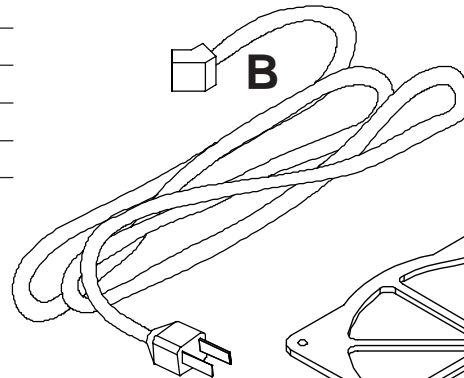
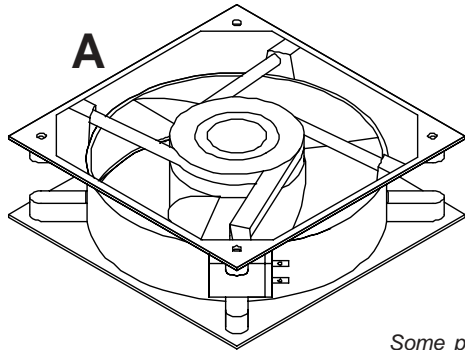
Model: ACC 300

IMPORTANT! Read entire instruction sheet before you start installation and assembly.

Parts List

Before you start make sure all parts listed are included with your product.

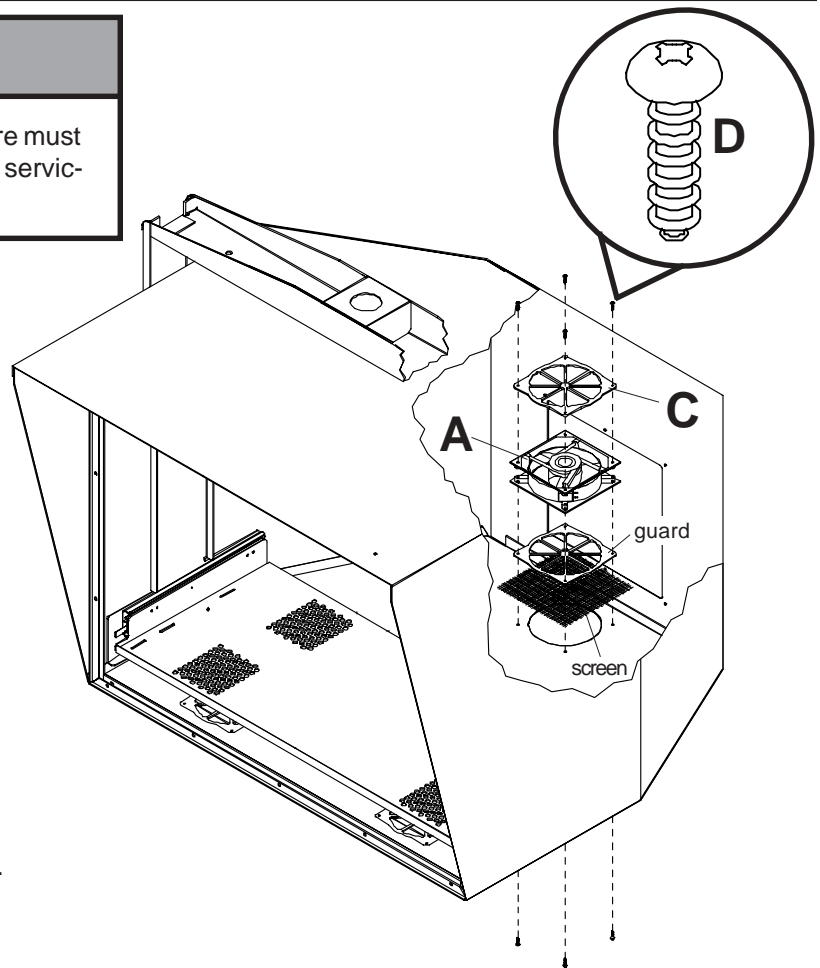
PART #	QTY.	DESCRIPTION
A	1	fan
B	1	cord set
C	1	guard plate
D	4	#8 x .5 sheet metal screw



Some parts may appear slightly different than illustrated.

⚠ WARNING

- To avoid injury disconnect power. The enclosure must always be in the horizontal position before any servicing is done.



- Remove four screws from circular vent and reattach through screen, guard, and fan (A). Attach guard plate (C) to fan (A) using four screws (D).

Note: Fan should direct airflow down.

2 Attach power cord (B) to fan (A).

