

# Installation and Assembly - Jumbo 2000®

Models: JM 2650PA, JM 2650PAS

**IMPORTANT!** Read entire instruction sheet before you start installation and assembly.

Before you start make sure all parts shown are included with your bracket.

Available Accessories: M10 penta-pin™ security screws (model ACC 502), 13 ft. endless loop Safety Belt (model ACC 666)

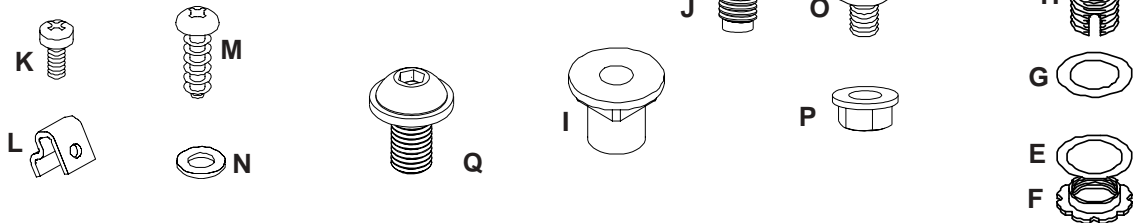
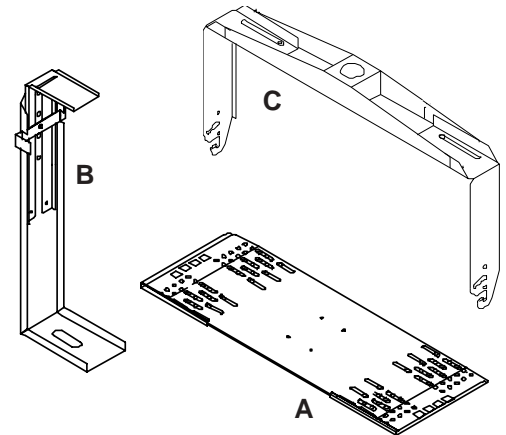
The Jumbo 2000 mount is for use with a single TV or monitor of a specified size only. See page 6 TV/monitor sizes, and mounting fixture compatibility.



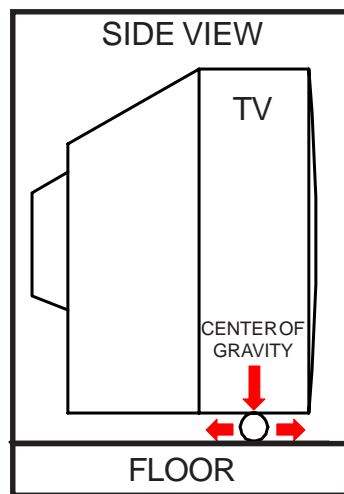
This product is UL Listed. It must be installed by a qualified professional installer.

Product is UL rated up to 27" TV, per attached chart.

QTY.	DESCRIPTION	BLACK PART NO.	SILVER PART NO.
A	1 support tray assembly	128-0244	128-0386
B	2 vertical support assembly	128-0242	128-0384
C	1 vertical hanger assembly	128-0243	128-0385
E	1 fiber washer - large inside dia.	540-9432	540-9432
F	1 retaining collar	1800-375	1800-375S
G	1 fiber washer - small inside dia.	540-9431	540-9431
H	1 flush mount tube	1446-014	1446-014S
I	2 M10-1.5 x .7 flange nut	520-9261	520-9269
J	4 M10-1.5 x 16 mm socket screw/washer combo	520-1041	520-7041
K	6 M5 x .8 x 10 mm screw	520-9250	520-2005
L	4 uni-clip	2245-081	2245-081S
M	4 #10 x 3/4 particle board screw	500-9006	500-2014
N	4 #10 flat washer	540-9400	540-9442
O	4 carriage bolt	520-9207	520-2047
P	4 nut	530-1016	530-2016
Q	2 M10 serrated flange head screw	520-1105	520-7105



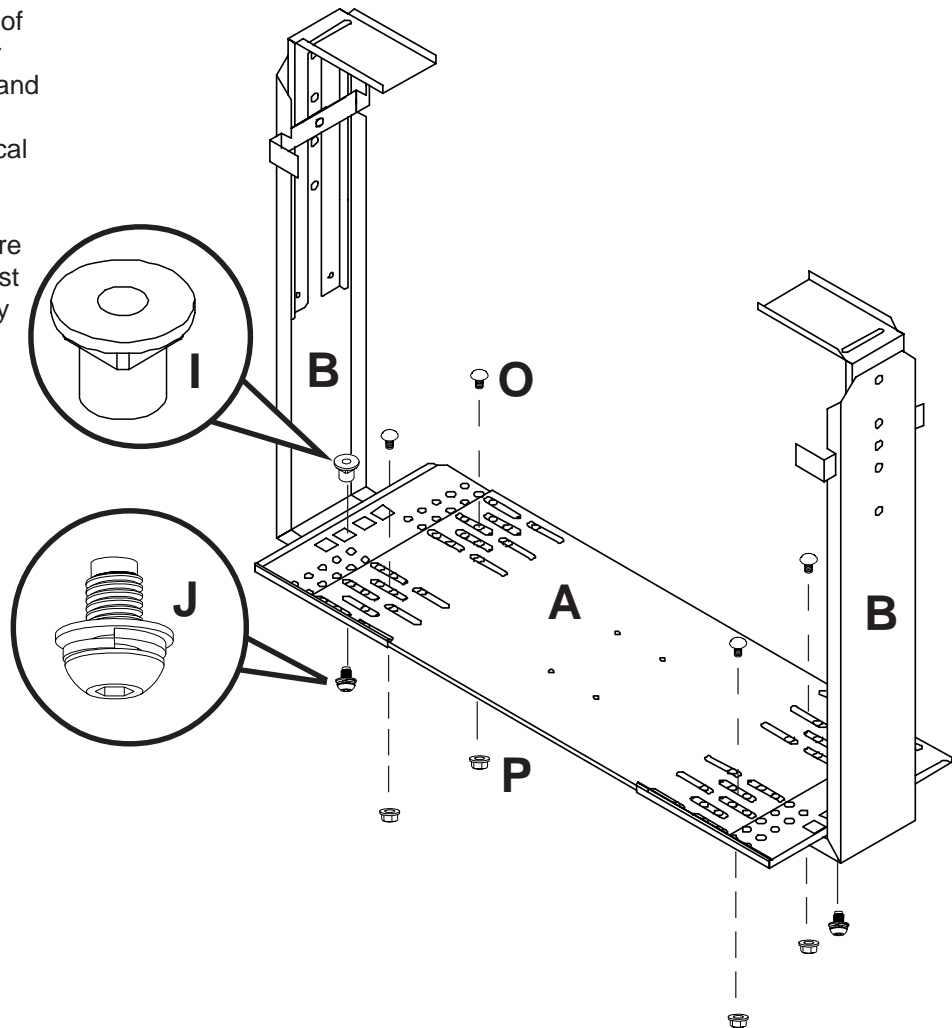
**1** Place TV onto a piece of pipe as shown. (Pipe should be a few inches wider than the TV.) Roll TV back and forth to find the balance point. This is the **center of gravity**. Mark the center of gravity on the side of the TV.



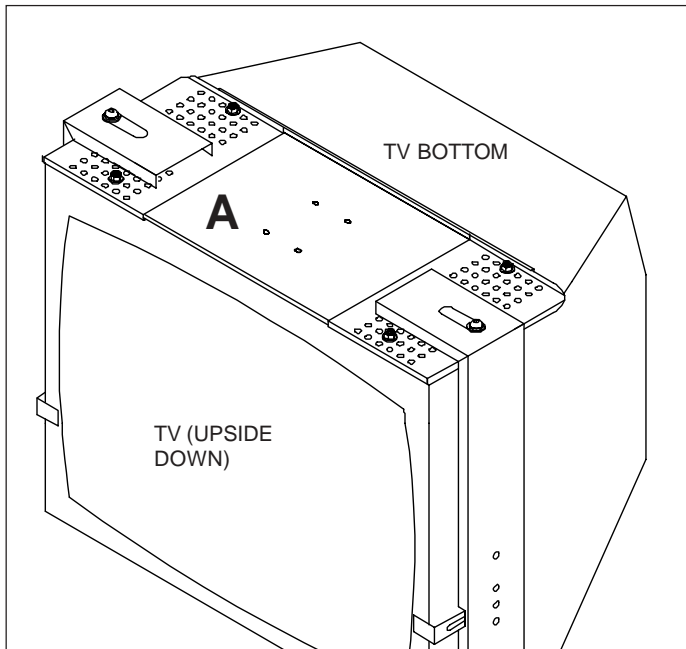
2

Adjust tray (A) to width of TV and secure with four bolts and nuts (O,P). Hand tighten screws. Attach support tray (A) to vertical support arms (B) as shown.

**Note:** Choose the square hole which aligns closest with the center of gravity mark on the TV (as determined in step 1).

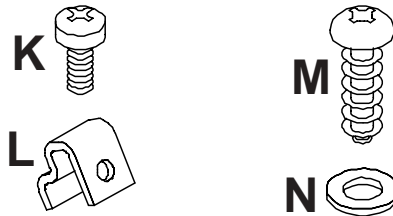


**Required for OSHPD approved installation - optional otherwise**

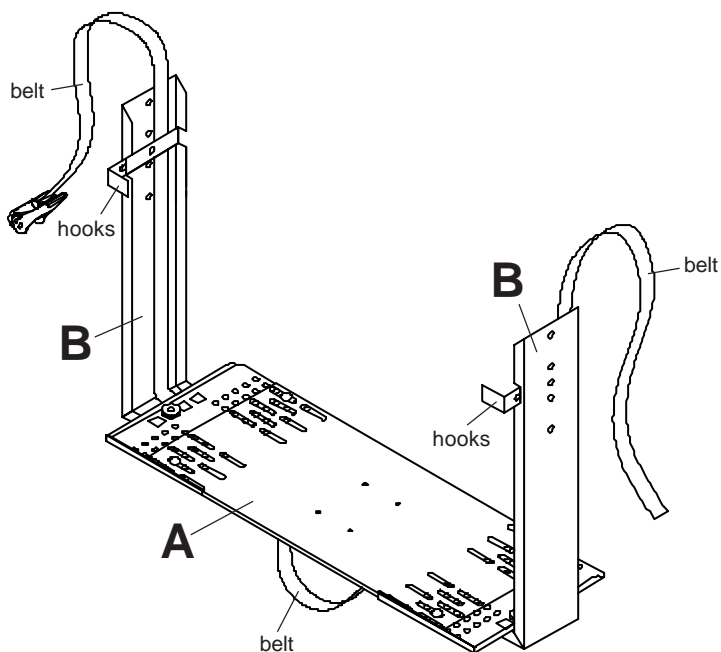


*Although top clamps and anti-rollout hooks will provide more than adequate support for the TV, some installers may wish to also attach the support tray to the TV bottom.*

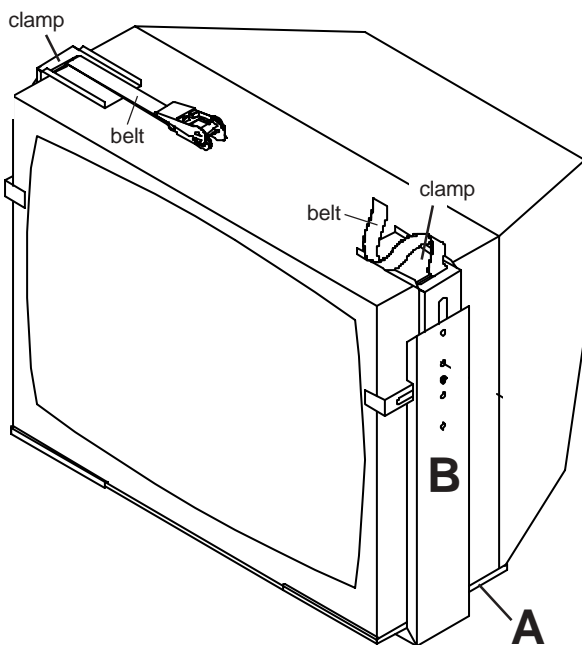
Using uni-clips (L) and M5 screws (K) (see instruction card in fastener pack), or #10 x 3/4" particle board screws (M) and washers (N) (for attachment to mounting bosses if present), or a combination of both, attach support tray (A) to TV bottom. [To do this place TV upside down on a flat stable surface and position support tray upside down on TV bottom.] Attach at four places as close to the four corners of the TV bottom as possible.



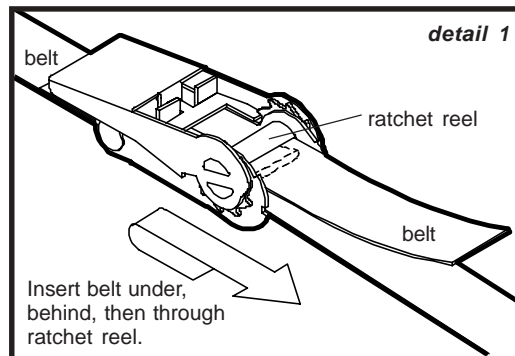
**Safety Belt (model ACC 666) Required for OSHPD approved installation - optional otherwise  
- SOLD SEPARATELY-**



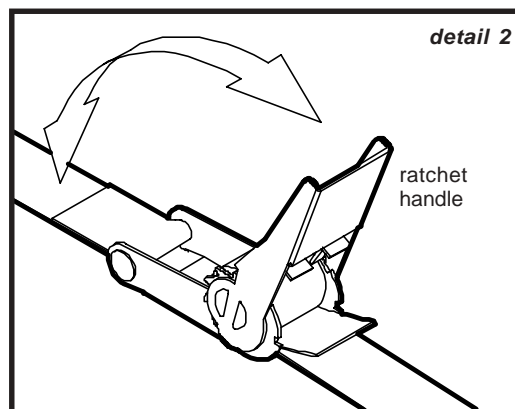
**Optional safety belt ACC 666 (required for OSHPD approved installation) sold separately.**  
Thread belt between support arms (B) and anti-rollout hooks, and between support arms (B) and support tray (A).



Position TV on support tray (A), thread belt through slots in top clamps. Secure TV with belt as directed in **detail 1, 2, & 3.**



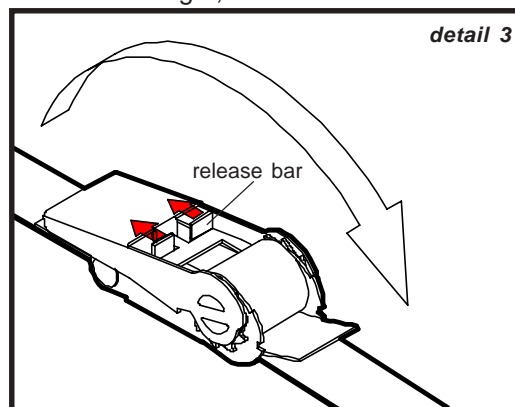
Wrap belt around TV or monitor and mounting surface. Insert end of belt through ratchet reel and pull until ALL slack is out of belt.



Pump ratchet handle to tighten belt. For secure hold, ratchet reel must have at least two layers of belt around it.

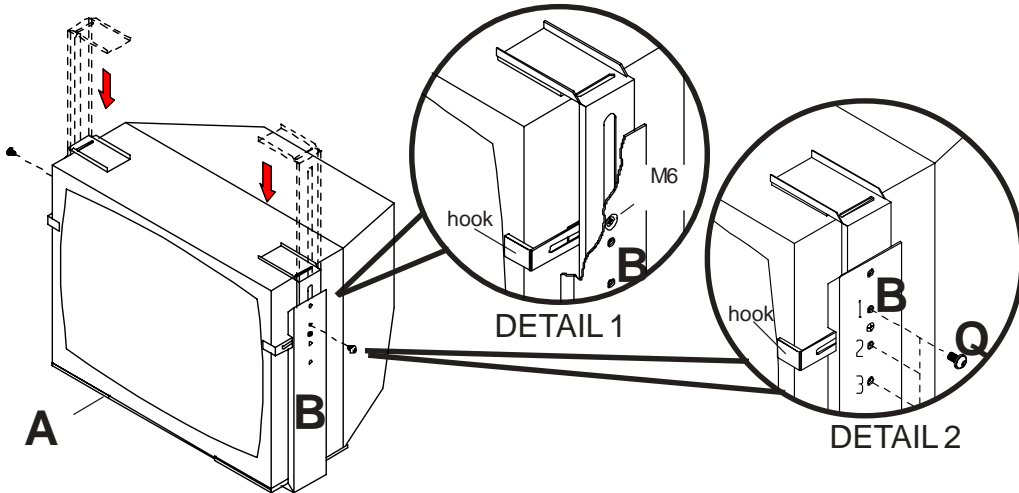
**Note:** Too many layers of belt around ratchet reel will cause it to jam. To avoid this problem be sure to remove ALL slack from belt before pumping ratchet handle.

After belt is tight, close ratchet handle.



To release, compress release bar and open ratchet handle 180°.

**Note:** Slots in corners of top clamps and corners of vertical support arms (**B**) allow for the installation of safety belt (model **ACC 666**, sold separately). If using this belt, install it now as shown on page three.



**3**

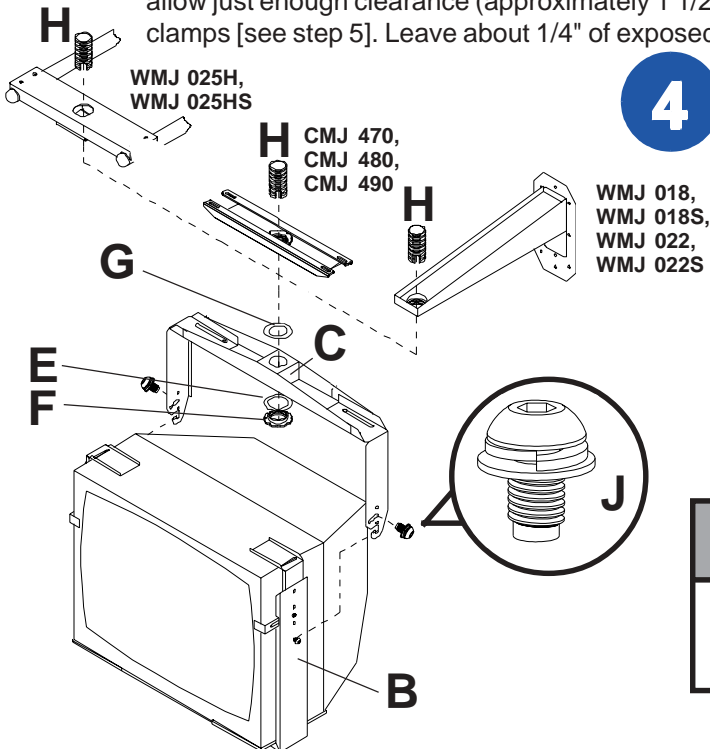
Position TV onto support tray (**A**). Position anti-rollout hooks against front edge of TV.

## ▲ WARNING

- Each anti-rollout hook should have at least 1/4" of surface contact and fit snugly against the front edge of the TV cabinet. If this is not the case the support tray (**A**) must be adjusted smaller, or the vertical support arms (**B**) adjusted inward [see step 2].

Insert and press down on top clamps with sufficient force to assure that the top clamps are fitted snugly to the TV cabinet. **Note:** Top clamps fit between rollout protectors and vertical support arms (**B**) [DETAIL 1]. Press down on each top clamp while securely tightening each M6 screw.

Press inwards on the left and right vertical support arms (**B**) with sufficient force to assure that the arms are fitted snugly to the TV cabinet. By hand, thread one M10 serrated flange head screw into each vertical support arm (**B**) into one of three threaded holes [1, 2, or 3; DETAIL 2]. Choose the threaded holes that will allow just enough clearance (approximately 1 1/2" inches) between the horizontal support arm and top clamps [see step 5]. Leave about 1/4" of exposed thread.



**4**

**FIRST:** From the top fully thread flush mount tube (**H**) into threaded fitting in wall arm or ceiling plate. Install the wall arm or ceiling plate according to instructions included with it.

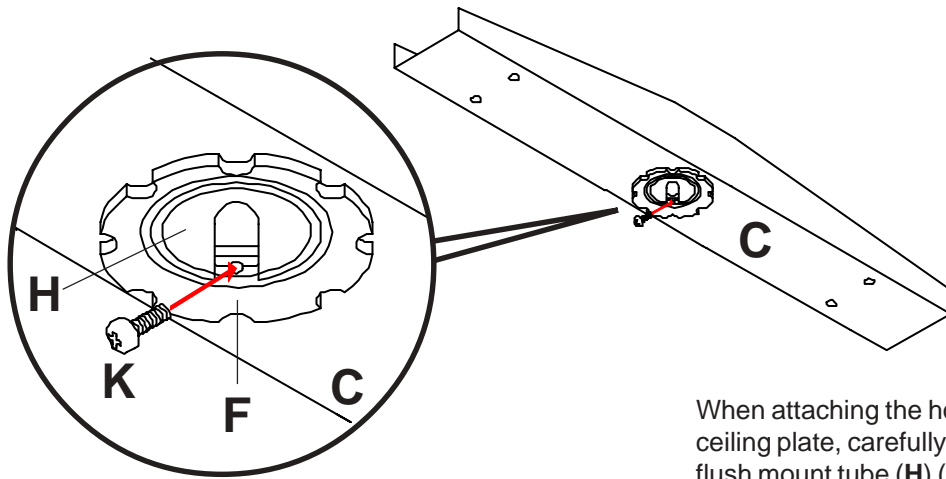
**NEXT:** Make sure vertical supports are adjusted horizontally to align precisely with screws in the side of vertical support arms (**B**) before tightening screws on horizontal support (**C**). Attach horizontal support (**C**) to wallarm or ceiling plate using fiber washers (**G** & **E**), and retaining collar (**F**). **IMPORTANT:** Retaining collar (**F**) requires a safety screw [refer to DETAIL 3, page 5].

**FINALLY:** Be sure that hooks in vertical hangers (**C**) are open end forward. Hang the TV / bracket assembly.

## ▲ WARNING

- Always use an assistant or mechanical lifting equipment to safely lift and position the TV or monitor.

Insert one screw/washer combo (**J**) through slot in each vertical hangers (**C**). Hand tighten.

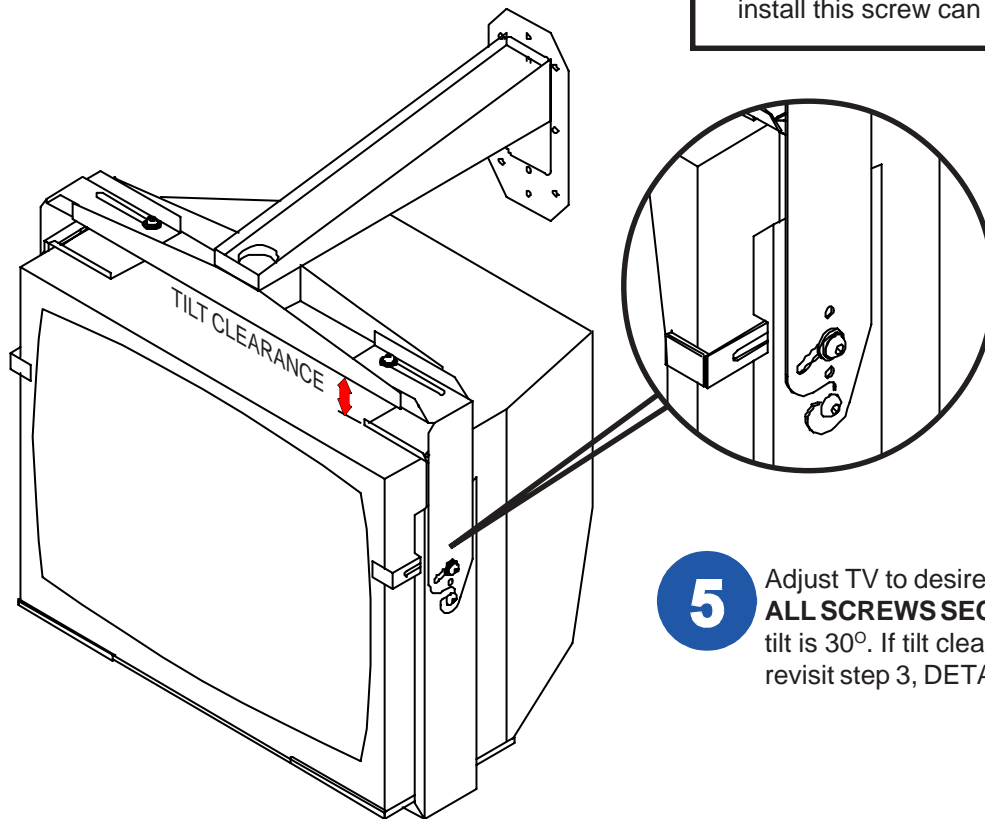


DETAIL 3  
(BOTTOM VIEW)

When attaching the horizontal support (C) to wall arm or ceiling plate, carefully thread retaining collar (F) onto end of flush mount tube (H) (or extension column). Tighten at least four complete turns ending with one of the small threaded holes aligned with slot in the end of flush mount tube (H) (or extension column). Insert and tighten one M5 screw (K).

## ▲ WARNING

- Set screw (K) is self tapping and may be hard to get started but is essential to this installation. Failure to install this screw can cause the mount to fall.



5

Adjust TV to desired tilt, then **TIGHTEN ALL SCREWS SECURELY**. Maximum tilt is 30°. If tilt clearance is a problem revisit step 3, DETAIL 2.

APPLICATION: ATTACHMENT TO CONCRETE MOUNTING SURFACE							
Jumbo 2000 mount		TV/Monitor		Product Peerless rated when attached to...			
Model Number	Support Tray Depth	Screen Size	Screen Aspect Ratio	Wall Arm WMJ 022, WMJ 022S	Double Wall Arm WMJ 025H, WMJ 025HS	Suspended Ceiling Plate CMJ 450	Ceiling Plate CMJ 470, CMJ 470W, CMJ 480, CMJ 480W, CMJ 490, CMJ 490W
JM 2650PA, JM 2650PAS	10" (254 mm)	25" - 27" (635 mm) (686 mm)	standard	150 lb (65 kg)	300 lb (137 kg)	250 lb (113 kg)	300 lb (137 kg)

## ⚠ WARNING

- Weight of TV or monitor not to exceed maximum load capacity (Peerless rated)!

APPLICATION: ATTACHMENT TO WOOD MOUNTING SURFACE							
Jumbo 2000 mount		TV/Monitor		Product Peerless rated when attached to...			
Model Number	Support Tray Depth	Screen Size	Screen Aspect Ratio	Wall Arm WMJ 022, WMJ 022S	Double Wall Arm WMJ 025H, WMJ 025HS	Suspended Ceiling Plate CMJ 450	Ceiling Plate CMJ 470, CMJ 470W, CMJ 480, CMJ 480W, CMJ 490, CMJ 490W
JM 2650PA, JM 2650PAS	10" (254 mm)	25" - 27" (635 mm) (686 mm)	standard	125 lb (57 kg)	300 lb (137 kg)	250 lb (113 kg)	300 lb (137 kg)

## ⚠ WARNING

- Weight of TV or monitor not to exceed maximum load capacity (Peerless rated)!