

<b>Installation and Assembly - Classic Series TV Wall Mount</b>	<b>Models: CS 9, CS 9W, CS 13, CS 13W</b>
---	---

**IMPORTANT!** Read entire instruction sheet before you start installation and assembly.

Support Tray Extensions [accessory kit ACC 130 (black) or ACC 130W (white)] are available for deep profile TVs.

This product is intended for use with UL Listed products and must be installed by a qualified professional installer.

<b>CS 9, CS 9W</b>	<b>Product is UL rated up to 9" TV, 50 lbs.</b>
<b>CS 13, CS 13W</b>	<b>Product is UL rated up to 13" TV, 50 lbs.</b>

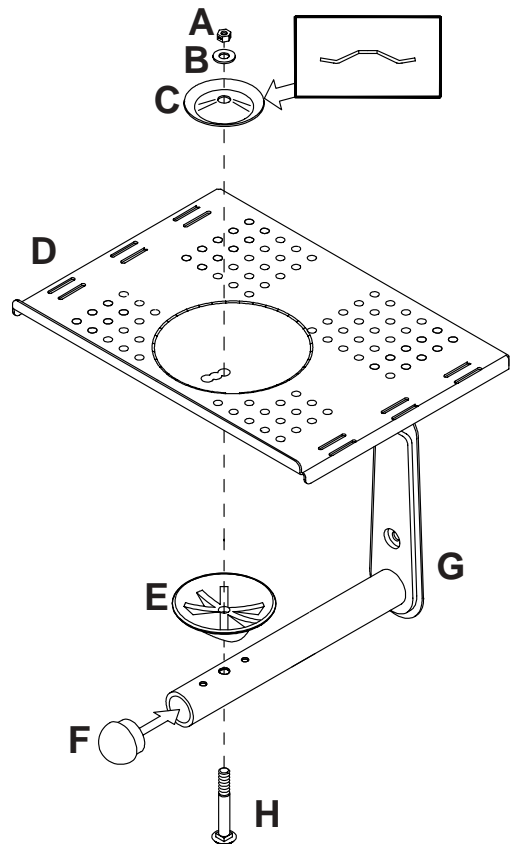
<b>IMPORTANT!</b> Certain types of walls require additional mounting hardware...	
WALL CONSTRUCTION	ADDITIONAL HARDWARE REQUIRED
Wood Stud, Wood Beam	none
Solid Concrete, Cinder Block, Brick	Concrete Anchor Kit - <i>order accessory kit ACC203.</i>
Other or unsure?	Contact Customer Care

<b>Parts List</b>				CS9	CS9W	CS13	CS13W
Description	Qty.	Part #					
<b>A</b> Lock Nut (black)	1	530-9402	✓		✓		
Lock Nut (cadmium)	1	530-9404		✓		✓	
<b>B</b> Brass Washer	1	540-9441	✓	✓	✓	✓	
<b>C</b> Spring Plate	1	580-0003	✓	✓	✓	✓	
<b>D</b> Support Tray (black)	1	017-1003	✓				
Support Tray (white)	1	017-2003		✓			
Support Tray (black)	1	170-1006			✓		
Support Tray (white)	1	170-2006				✓	
<b>E</b> Swivel Cup (black)	1	590-1019	✓		✓		
Swivel Cup (white)	1	590-1020		✓		✓	
<b>F</b> End Cap (black)	1	590-1014	✓		✓		
End Cap (white)	1	590-1001		✓		✓	
<b>G</b> Wall Arm (black)	1	017-1017	✓				
Wall Arm (white)	1	017-2017		✓			
Wall Arm (black)	1	017-1018			✓		
Wall Arm (white)	1	017-2018				✓	
<b>H</b> Carriage Bolt (black)	1	520-1158	✓		✓		
Carriage Bolt (zinc)	1	520-2158		✓		✓	
<b>I</b> Washer Head Wood Screw (black)	2	5S1-015-C03	✓		✓		
Washer Head Wood Screw (cadmium)	2	5S1-015-C04		✓		✓	

**⚠ WARNING**

- Installer must verify that the supporting surface will safely support the combined weight of all attached equipment and hardware.

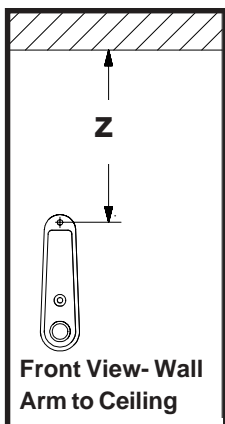
**1** Before you start make sure parts **A** through **I** are included with your product. See the exploded view below.



**2**

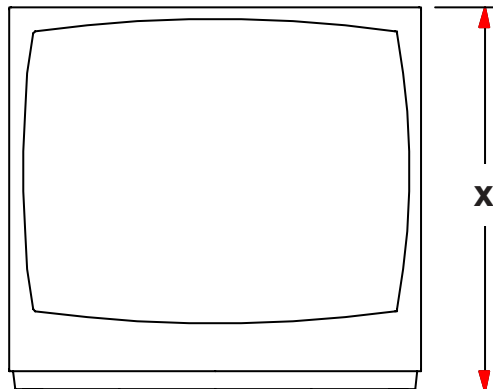
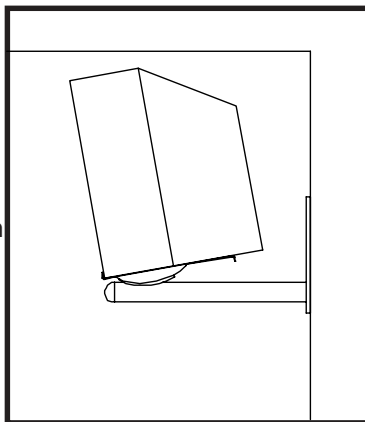
If you want your TV as close to the ceiling as possible complete this step.

Measure height **x** of TV. Calculate dimension **z** (ceiling to top mounting hole) using formula provided.



$$z = x - 2 \frac{1}{8}''$$

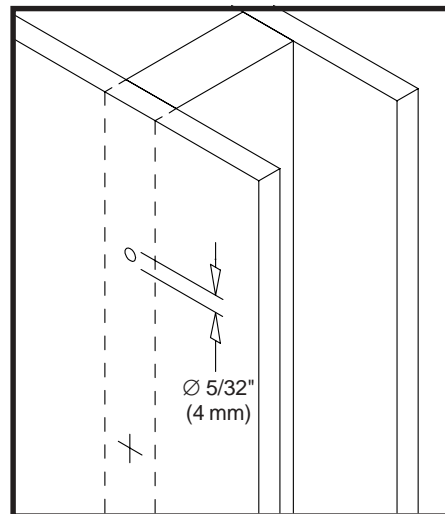
$$z = x - 54 \text{ mm}$$

**3**

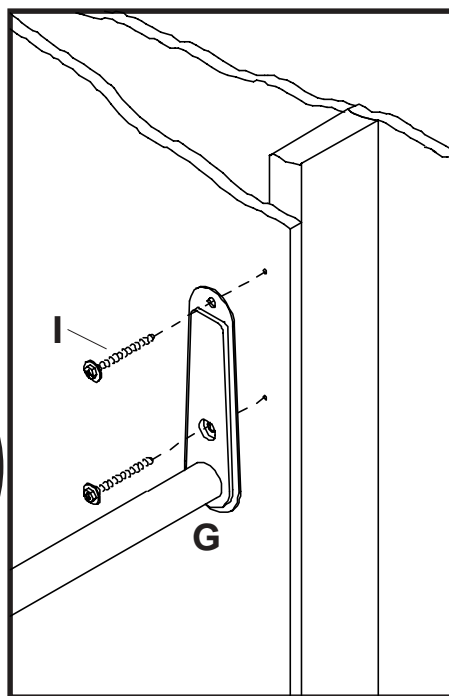
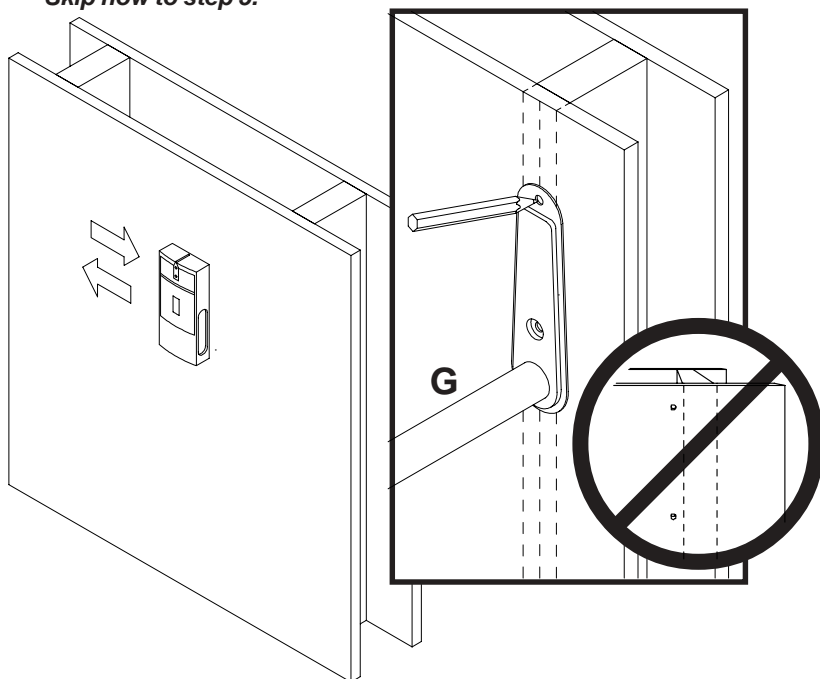
If attaching to concrete skip to step 4. For stud wall construction use stud finder to locate stud center. Use wall arm (**G**) as a template to mark hole centers on stud center. Drill one 5/32" (4 mm) dia. hole about 1.5" (38 mm) deep. **IMPORTANT! HOLES FOR ATTACHMENT MUST BE DRILLED INTO STUD CENTER!** Attach wall arm (**G**) with #14 x 2.5" (6 mm x 65 mm) wood screws (**I**).

### ⚠ WARNING

- Tighten wood screws so that wall plate is firmly attached, but do not overtighten. Overtightening can damage the screws, greatly reducing their holding power.
- Never tighten in excess of 80 in • lb (9 N.M.).
- Make sure that mounting screws are anchored into the center of the studs. The use of an "edge to edge" stud finder is highly recommended.



Skip now to step 5.



## ⚠ WARNING

- When installing Peerless wall mounts on cinder block, verify that you have a minimum of 1-3/8" of actual concrete surface in the hole to be used for the concrete anchors. Do not drill into mortar joints! Be sure to mount in a solid part of the block, generally 1" minimum from the side of the block. Cinder block must meet ASTM C-90 specifications. It is suggested that a standard electric drill on slow setting is used to drill the hole instead of a hammer drill to avoid breaking out the back of the hole when entering a void or cavity.
- Concrete must be 2000 psi density minimum. Lighter density concrete may not hold concrete anchor.
- Make sure that the supporting surface will safely support the combined load of the equipment and all attached hardware and components.

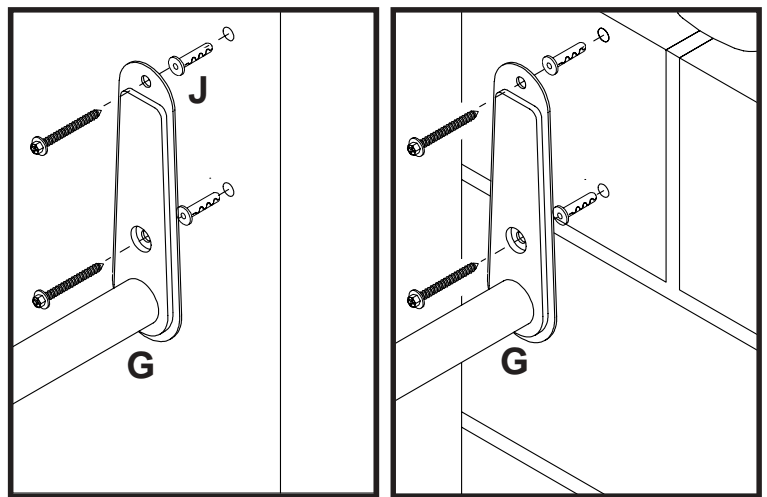
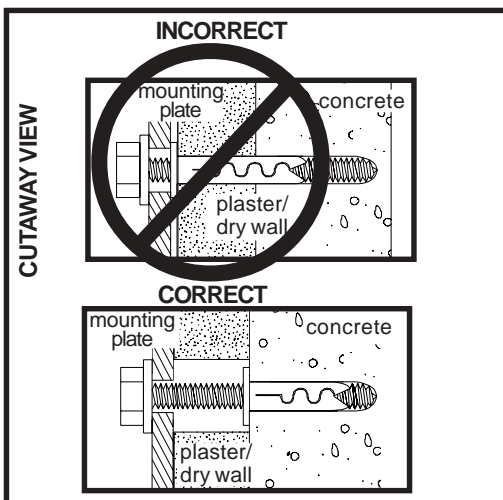
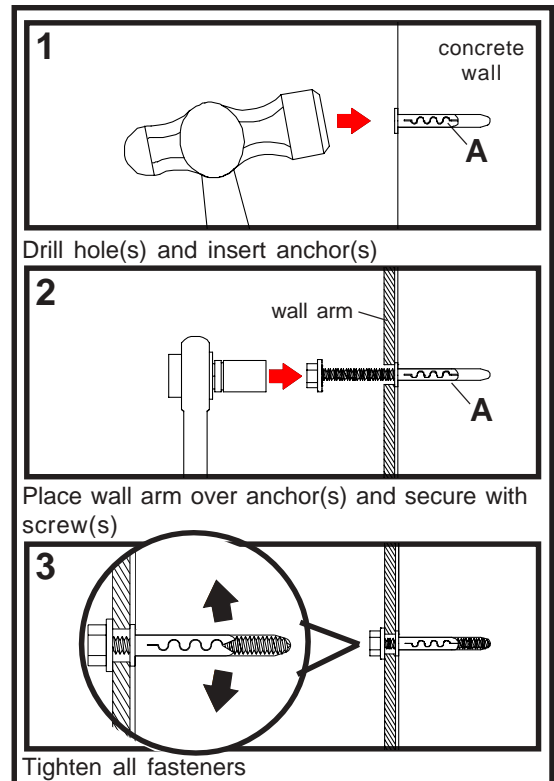
- 4** For **Concrete Walls** use wall arm, making sure that it is level, as a template to mark holes. Drill 1/4" (6 mm) dia. holes to a minimum depth of 2.5" (64 mm). Concrete must be 2000 psi density minimum. Insert anchors in holes flush with wall as shown (right). Place wall arm over anchors and secure with #14 x 2.5" (6 mm x 65 mm) wood screws. Tighten all fasteners.

## ⚠ WARNING

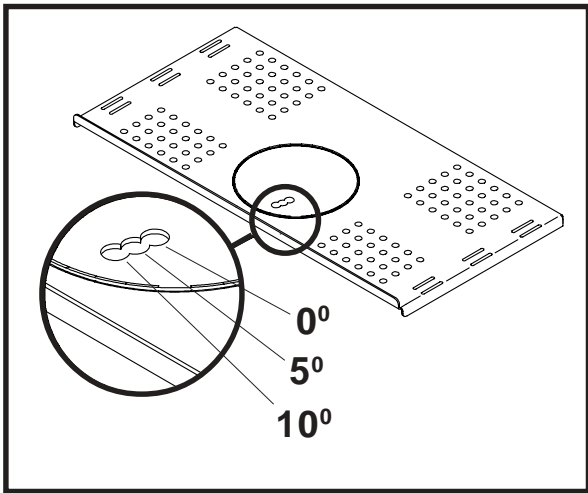
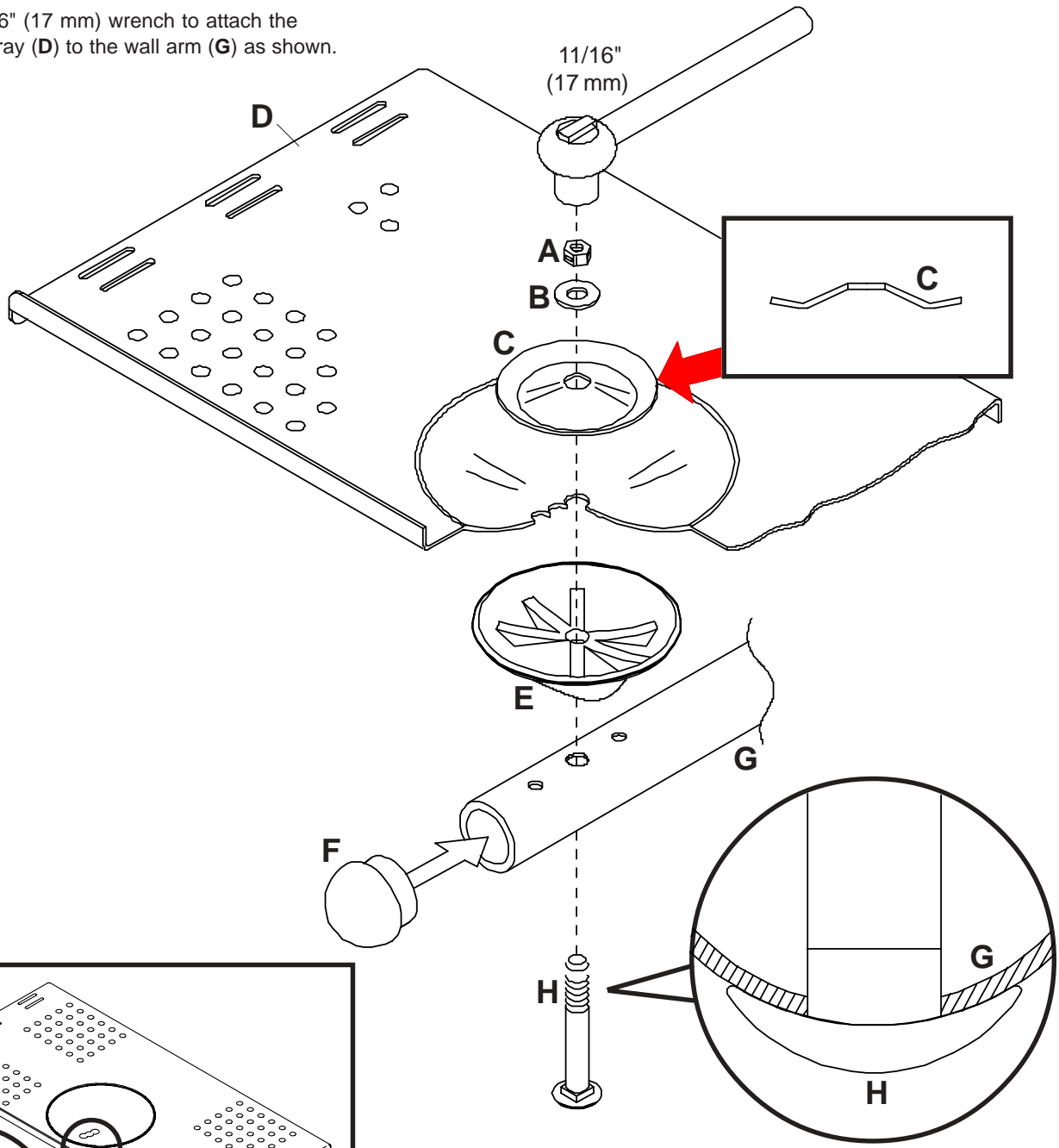
- Tighten wood screws firmly, but do not overtighten. Overtightening can damage the screws, greatly reducing their holding power.
- Never tighten in excess of 80 in • lb (9 N.M.).

## ⚠ WARNING

- Concrete anchors are **not** intended for attachment to concrete wall covered with a layer of plaster, drywall, or other finishing material. If mounting to concrete wall covered with plaster/drywall is unavoidable, plaster/drywall (up to 5/8" thick) must be counterbored as shown below. If plaster/drywall is thicker than 5/8", custom fasteners must be supplied by installer.



**5** Use 11/16" (17 mm) wrench to attach the support tray (D) to the wall arm (G) as shown.



Choose from three tilt positions.