

**FEATURES:**

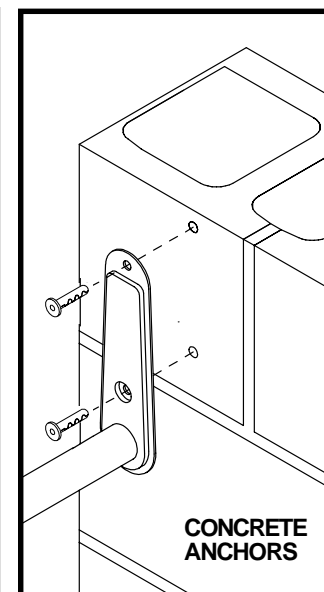
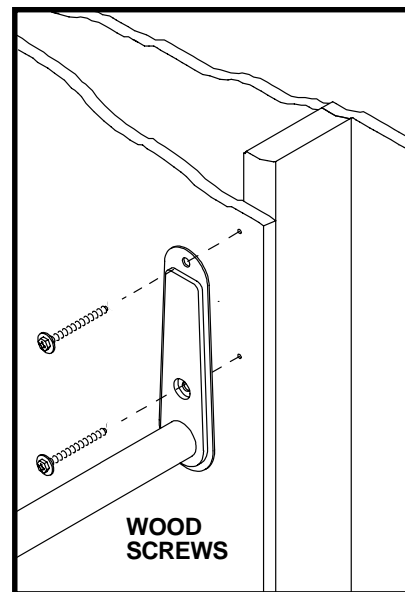
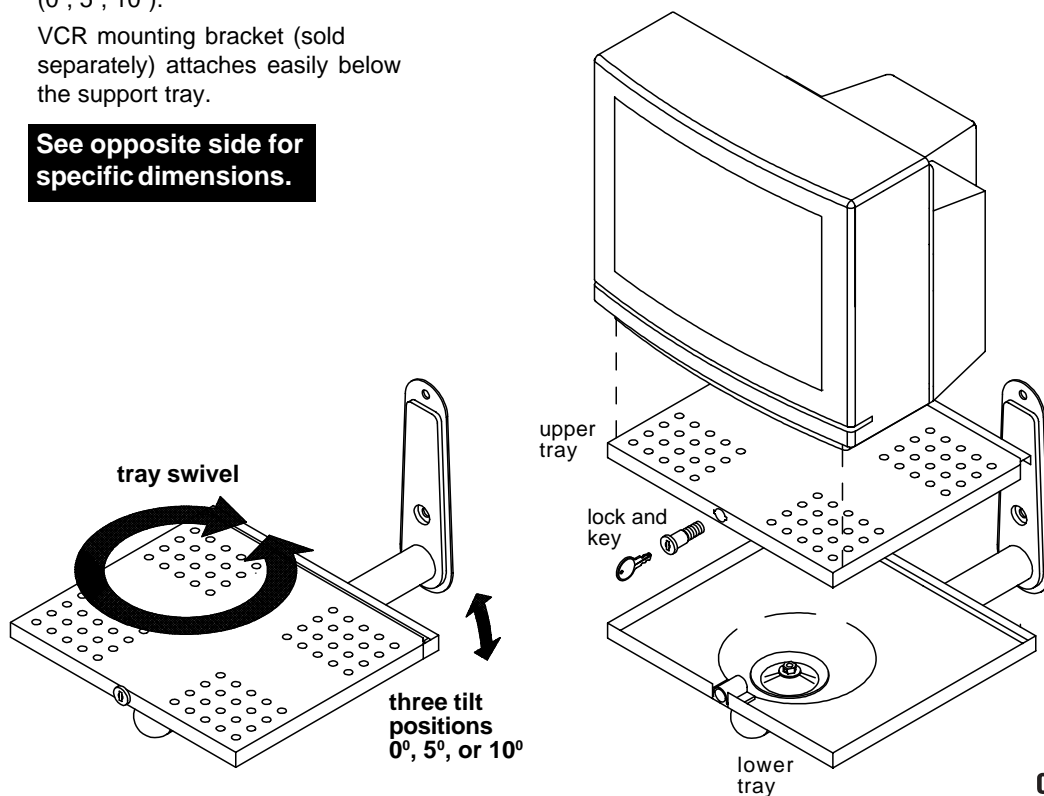
The Slimline model SWM310 is for use with 9" - 13" diagonal TVs.

The two piece locking support tray has three tilt positions (0°, 5°, 10°).

VCR mounting bracket (sold separately) attaches easily below the support tray.

**See opposite side for specific dimensions.**

**TWO PIECE SECURITY SUPPORT TRAY.**  
TV attaches to upper tray with fasteners provided. Then upper tray securely locks to lower tray.



**Accessories**

- Concrete Anchor Kit model ACC203
- Metal Stud Fasteners model ACC215



This product is intended for use with UL Listed products and must be installed by a qualified professional installer.

Product is UL rated up to 13" TV, 25 lbs. 50 lbs.

**Architects Specifications:**

The TV wall mount shall be a Peerless model SWM310 and shall be located where indicated on the plans. The finish shall be scratch resistant Black Fused Epoxy. The point of attachment must be to a wood stud, metal stud, concrete block, brick, or solid concrete wall. The TV wall mount shall be constructed primarily of heavy gauge cold rolled steel and steel tubing. It shall feature a two piece support tray with key lock, three tilt positions and swivel. It shall be UL Listed. Assembly and installation shall be done according to instructions provided by the manufacturer.

**TECHNICAL DATA SHEET  
SLIMLINE TV WALL MOUNT**

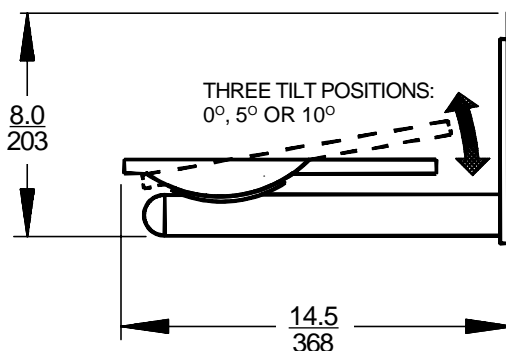
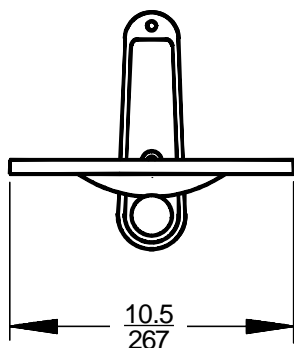
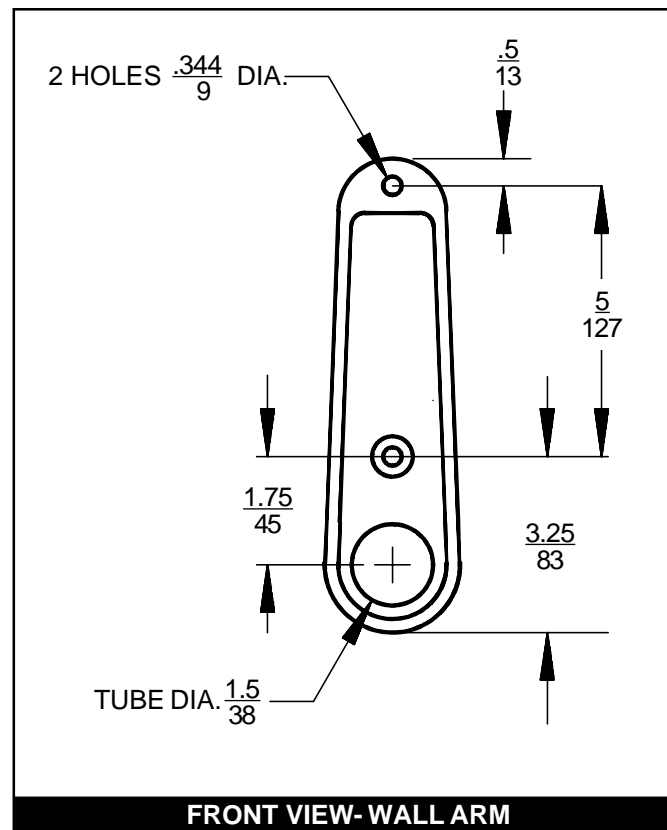
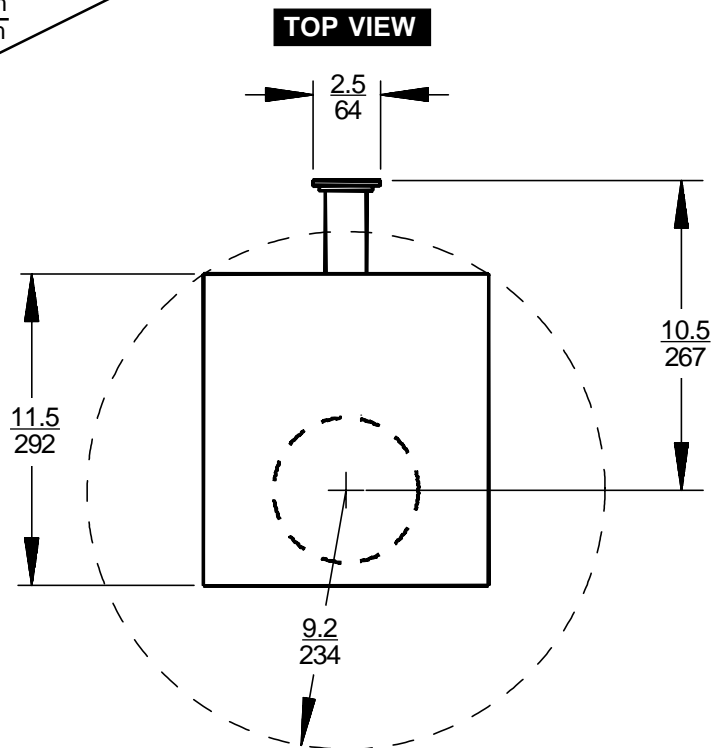
**Peerless Industries, Inc.**

1980 Hawthorne Ave.  
Melrose Park, IL 60160  
www.peerlessindustries.com

phone: (708)865-8870  
fax: (708)865-2941

All dimensions:

$\frac{\text{inch}}{\text{mm}}$



<b>WEIGHT</b>	<b>8.5 lbs.</b> (3.9 kg.)
<b>SHIPPING WEIGHT</b>	<b>10 lbs.</b> (4.5 kg.)