

# Installation and Assembly - Slimline® TV Wall Mount

Model: SWM 310

**IMPORTANT!** Read entire instruction sheet before you start installation and assembly.



This product is intended for use with UL Listed products and must be installed by a qualified professional installer.

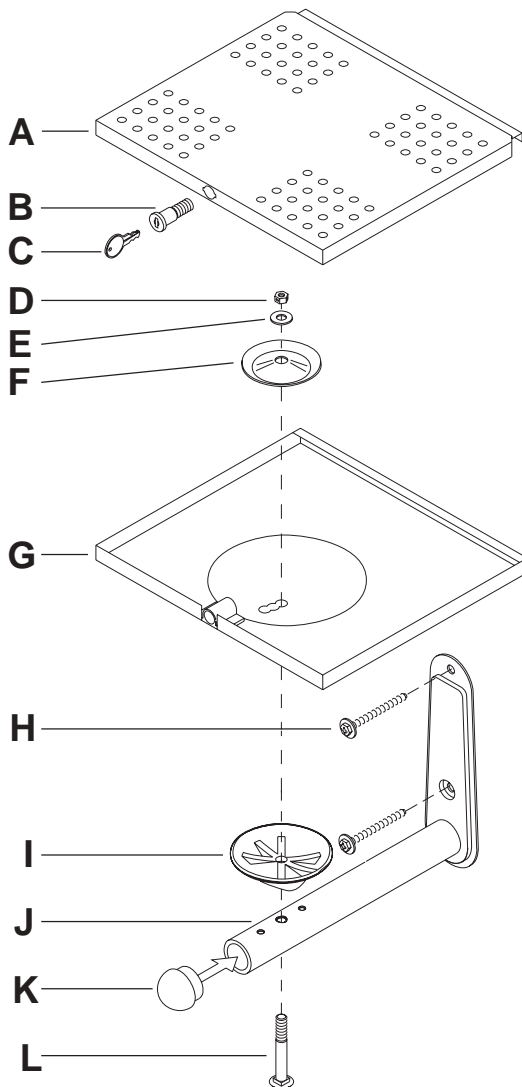
Product is UL rated up to 13" TV, 100 lb

**IMPORTANT!** Certain types of walls require additional mounting hardware...

WALL CONSTRUCTION	ADDITIONAL HARDWARE REQUIRED
Wood Stud, Wood Beam	none
Solid Concrete, Cinder Block, Brick	Concrete Anchor Kit - <i>order accessory kit ACC 203</i>
Other or unsure?	Contact customer service.

## ⚠ WARNING

- Installer must verify that the wall will safely support four times the combined weight of all attached equipment and hardware.



Before you start make sure all of the parts shown are included with your product.

## Parts List

Description	Qty.	Part Number
A upper tray	1	2363-373
B lock	1	3022-502
C key	1	0000-322
D M10 lock nut	1	530-9402
E M10 bronze washer	1	540-9441
F spring plate	1	580-0003
G lower tray assembly	1	051-0012
H washer head wood screw #14 x 2.5 (6 mm x 65 mm)	2	5S1-015-C03
I swivel cup	1	590-1019
J wall arm	1	017-1017
K end cap	1	590-1014
L M10 x 22 mm carriage bolt	1	520-1158
M uni-clip	2	2245-081
N M5 x .8 x 10 mm phillips screw	2	520-9250
O #10 x 3/4 phillips wood screw	4	500-9006
P #10 SAE washer	4	540-9400

Note: Parts may appear slightly different than illustrated.



# ⚠ WARNING

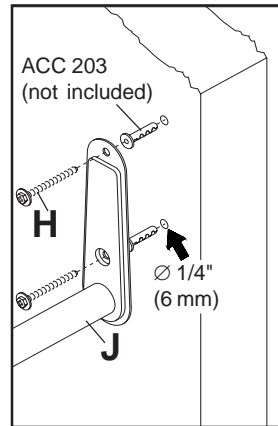
- When installing Peerless wall mounts on cinder block, verify that you have a minimum of 1-3/8" of actual concrete surface in the hole to be used for the concrete anchors. Do not drill into mortar joints! Be sure to mount in a solid part of the block, generally 1" minimum from the side of the block. Cinder block must meet ASTM C-90 specifications. It is suggested that a standard electric drill on slow setting is used to drill the hole instead of a hammer drill to avoid breaking out the back of the hole when entering a void or cavity.
- Concrete must be 2000 psi density minimum. Lighter density concrete may not hold concrete anchor.
- Make sure that the wall will safely support four times the combined load of the equipment and all attached hardware and components.

**1** For attachment to brick, solid concrete, or cinder block wall, use wall arm (J), making sure that it is level, as a template to mark holes. Drill two 1/4" (6 mm) dia. holes to a minimum depth of 2.5" (64 mm). Concrete must be 2000 psi density minimum. Insert anchors (ACC 203) in holes flush with wall as shown (right). Place wall arm (J) over anchors and secure with two #14 x 2.5" (6 mm x 65 mm) wood screws (H). Tighten all fasteners.

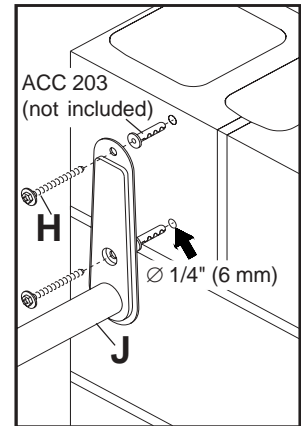
Skip to step 3.

## ⚠ WARNING

- Tighten wood screws firmly, but do not overtighten. Overtightening can damage the screws, greatly reducing their holding power.
- Never tighten in excess of 80 in • lb (9 N.M.).



**Solid Concrete Wall**

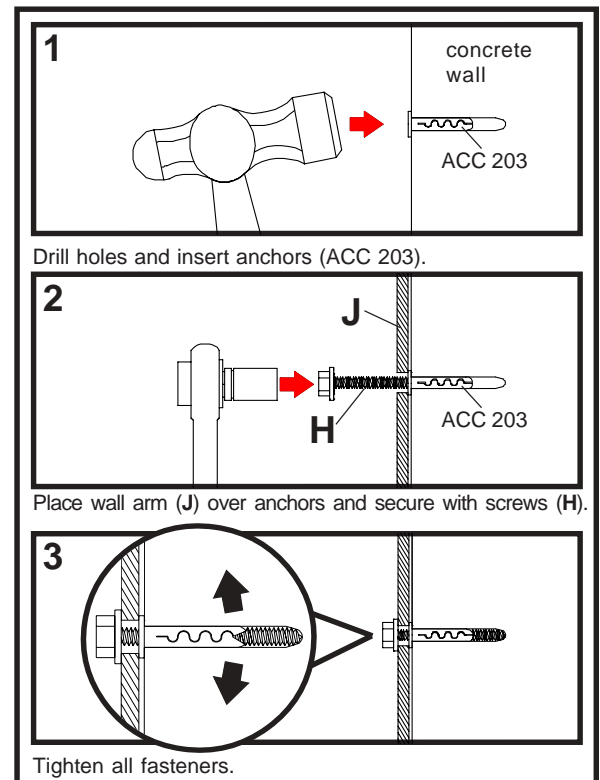
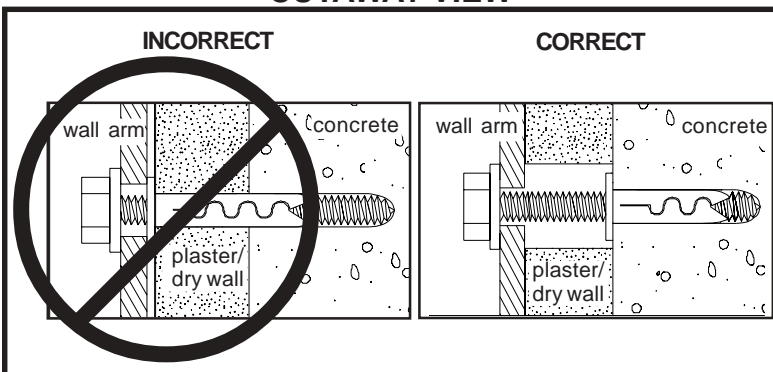


**Concrete Block Wall**

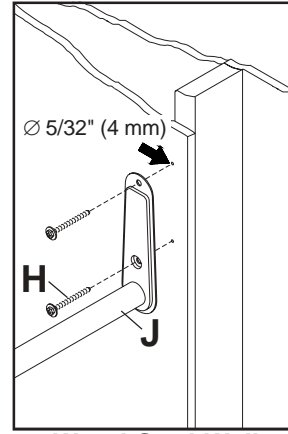
## ⚠ WARNING

- Concrete anchors are **not** intended for attachment to concrete wall covered with a layer of plaster, drywall, or other finishing material. If mounting to concrete wall covered with plaster/drywall is unavoidable, plaster/drywall (up to 5/8" thick) must be counterbored as shown below. If plaster/drywall is thicker than 5/8", custom fasteners must be supplied by installer.

### CUTAWAY VIEW



- 2** For attachment to a wood stud wall, drill two 5/32" (4 mm) dia. holes 2 1/2" (65 mm) deep into stud center. Attach wall arm (J) with two #14 x 2.5" (6 mm x 65 mm) wood screws (H).

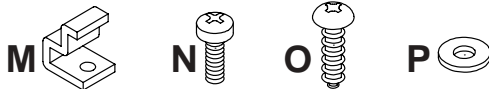


Wood Stud Wall

## ⚠ WARNING

- Tighten wood screws so that wall plate is firmly attached, but do not overtighten. Overtightening can damage the screws, greatly reducing their holding power.
- Never tighten in excess of 80 in • lb (9 N.M.).
- Make sure that mounting screws are anchored into the center of the studs. The use of an "edge to edge" stud finder is highly recommended.

- 3** Using uni-clips (M) and M5 screws (N) (see instruction card in fastener pack), or #10 wood screws (O) and #10 SAE washers (P) (for attachment to mounting bosses if present), or a combination of both, attach upper tray (A) to TV bottom. Attach at four places as close to the four corners of the TV bottom as possible.



- 4** Use 11/16" (17 mm) wrench to attach lower tray assembly (G) to wall arm (J) as illustrated.

**Note:** Three holes in center of lower tray assembly (G) offer choice of three tilt positions – 0°, 5°, 10°.

Join upper tray (A) to lower tray assembly (G) with lock plug (B) and key (C). First insert key into lock plug. Then insert lock plug (B) and turn several times until tight. Key must be horizontal to remove.

