

**IMPORTANT!** Read entire instruction sheet before you start installation and assembly.

MAX. LOAD CAPACITY:  
150 lbs. (68.2 kg.)

## ⚠ WARNING

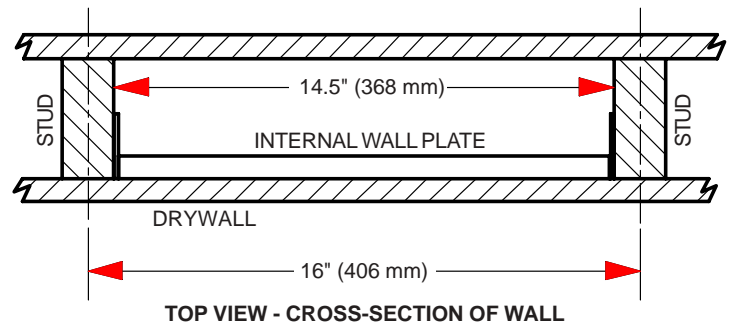
- Installer must verify that the wall and mounting hardware (to be provided by the installer) can safely support the combined weight of the attached TV Bracket, accessories, and electronic equipment (TV, VCR, etc.). This interior Wall Plate is intended for use only with TV brackets designed and manufactured by Peerless. Screws for attachment of TV Bracket to Interior Wall Plate are included. Screws for attachment of Interior Wall Plate to wall must be provided by installer.

This product contains two electrical box knockouts. Knockout pattern is designed for use with Raco / Hubbel 420 or equivalent electrical box.

This Wall Plate is for attachment between two wood studs on 16" (406 mm) centers *inside the supporting wall*. Installation is recommended *during construction of the supporting wall*.

Parts List Description	Qty.	WSP 414 Part Number	WSP 414S Part Number
interior wall plate	1	1414-745	1414-346
1/4-20 x 2" phillips screw	4	510-9117	510-4117

- 1** Attach internal wall plate to inside of wall, between two wood studs on 16" (406 mm) centers [14.5" (368 mm) edge to edge], flush with inside surface of drywall. Mounting hardware (**provided by installer - see WARNING above**) must fit into 9/32" (.281") diameter holes. *Don't forget to:*
- 1) Allow enough ceiling clearance for TV.
  - 2) Drill TV bracket mounting holes and cut electrical box cutouts into drywall before installing drywall.



- 2** Attach TV Bracket support arm. Two styles of support arm are shown (below and page 2) with the appropriate method of attachment using 1/4-20 x 2" phillips screws provided.

