

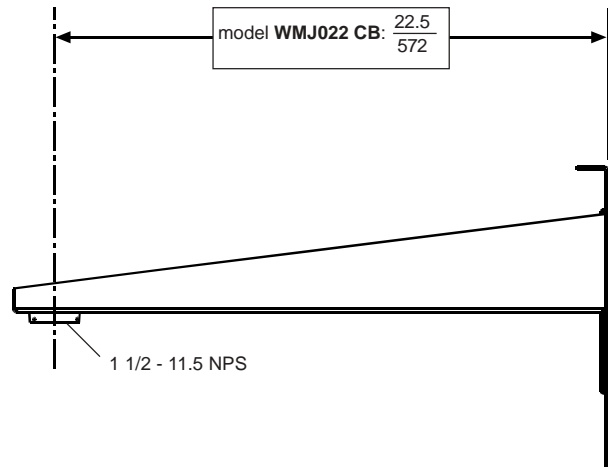
See page 2 for specifications / Jumbo Mount compatibility.

Features:

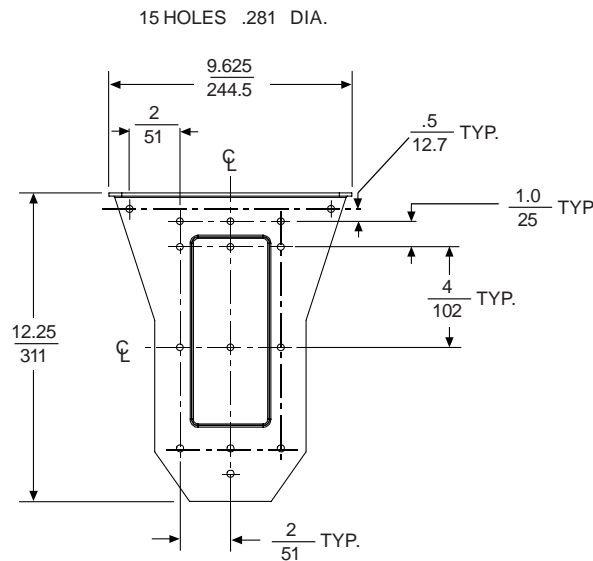
- Designed specifically for use on cinder block walls
- Fasteners for cinder block included
- Compatible with all Jumbo and Jumbo 2000 mounts
- Black or silver fused epoxy finish



ALL DIMENSIONS: $\frac{\text{INCH}}{\text{MM}}$ C = CENTER LINE TYP. = TYPICAL



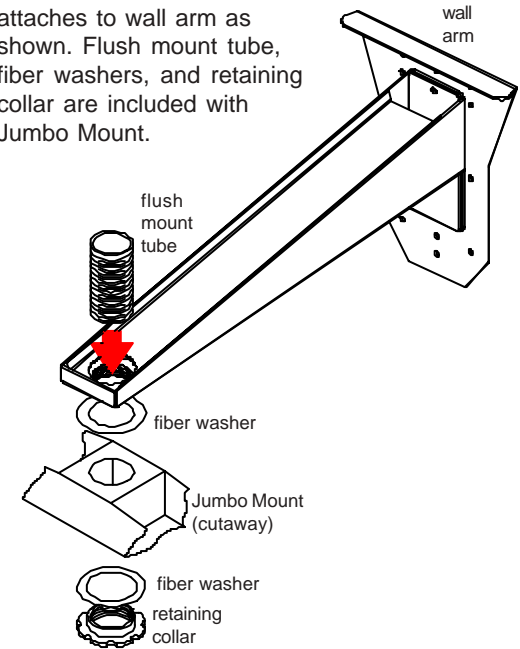
SIDE VIEW



FRONT VIEW

ASSEMBLY VIEW

Jumbo 2000 Monitor mount attaches to wall arm as shown. Flush mount tube, fiber washers, and retaining collar are included with Jumbo Mount.



Architects specifications

The Cinder Block Wall Arm shall be a Peerless model _____ and shall be located where indicated on the plans. It shall have a wall plate with a 9.624" top span, designed and tested for use on cinder block walls. It shall include screws and anchorage suitable for cinder block installations. It shall have a 1 1/2 - 11.5 NPS threaded fitting to accept a Peerless flush mount tube. It shall be constructed of 11 gauge cold rolled steel and finished in black or silver fused epoxy. It shall be U.L. Listed. Assembly and installation shall be done according to the instructions provided by the manufacturer.

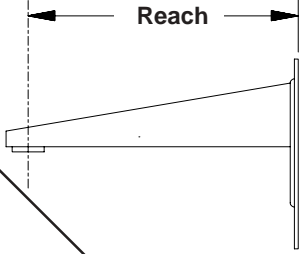
TECHNICAL DATA SHEET

Cinder Block Wall Arm



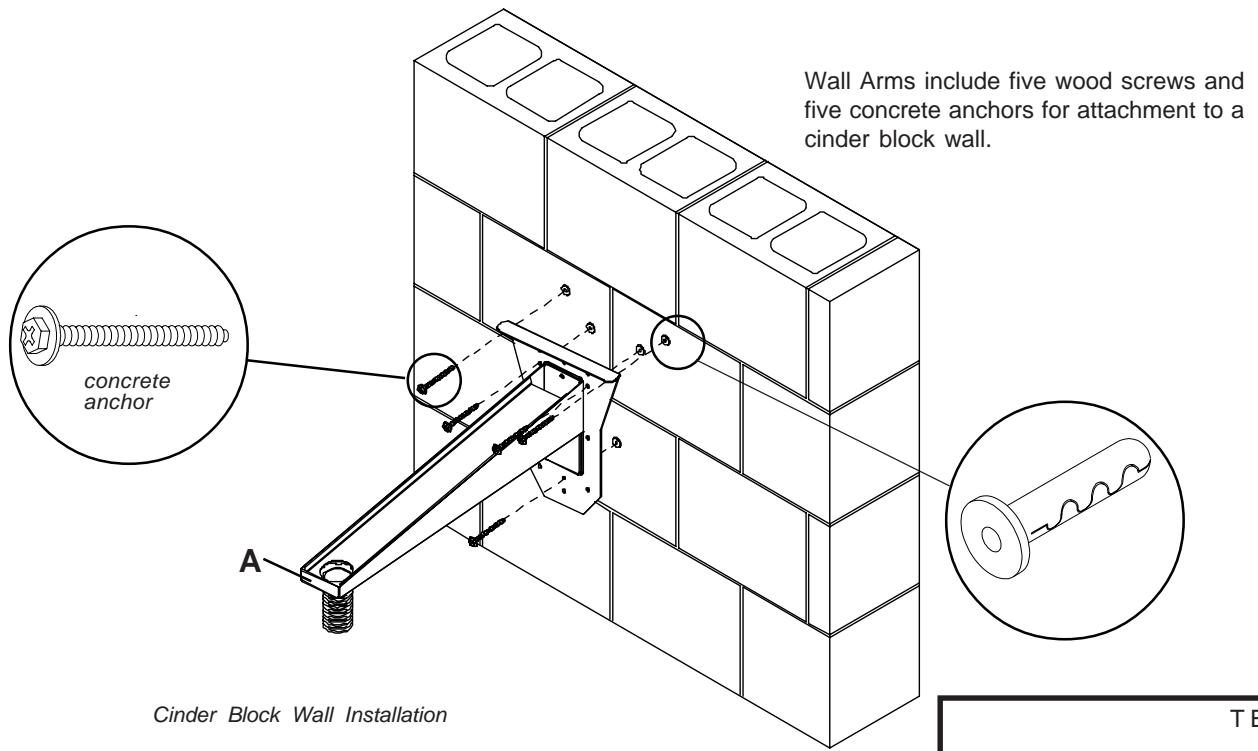
Peerless Industries, Inc. 3215 W. North Ave.
 Melrose Park, IL 60160
 708-865-8870 800-865-2112 Fax 708-865-2941
 www.peerlessindustries.com

SPECIFICATIONS					
Weight	Shipping Weight	Model Number	Reach	Max. Load Capacity	Compatible Jumbo Mount Models
				Cinder Block	
9.75 lb (4.4 kg)	10.5 lb (4.8 kg)	WMJ 022CB WMJ 022CBS	22.5" (571 mm)	150 lb (68 kg)	JM 2630, JM 2630S, JM 2640, JM 2640S, JM 2640D, JM 2640DS, JM 2650, JM 2650S JM 2650D, JM 2650DS, JM 2655, JM 2655S



Reach

WARNING: WEIGHT OF TV or MONITOR NOT TO EXCEED MAXIMUM LOAD CAPACITY!



TECHNICAL DATA SHEET
Cinder Block Wall Arm

peerless[®]
Solid Solutions - Solid Support™

Peerless Industries, Inc. 3215 W. North Ave.
Melrose Park, IL 60160
708-865-8870 800-865-2112 Fax 708-865-2941
www.peerlessindustries.com