

**The Designer Series Wall Mount** sleek contemporary design offers side to side swivel and 0°, 5° & 10° tilt.

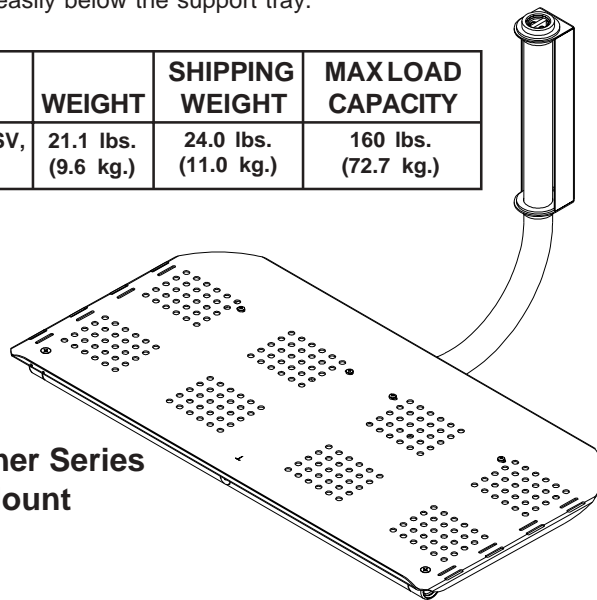
**Features:**

- Heavy duty steel construction.
- Scratch resistant black, white, or silver fused epoxy finish.
- Includes mounting hardware for attachment to a wood stud wall.
- Support Tray has three tilt positions (0°, 5°, 10°) and swivel arm.
- Safety belt included.

**Accessories:**

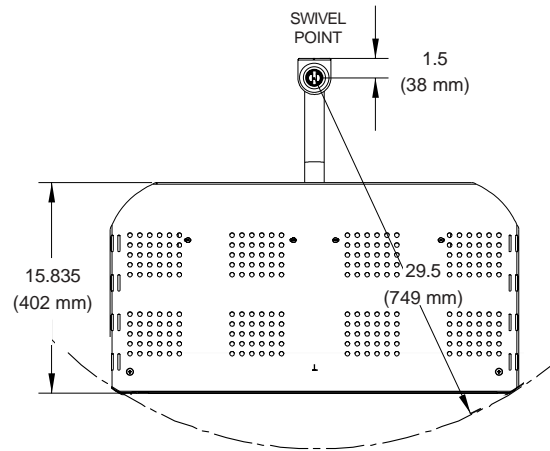
- Concrete Anchor Kit model **ACC203**.
- For metal stud wall installations order External Wall Plate.
- VCR mounting bracket (sold separately) model **DS 40, DS 40-SV, DS 40S, DS 40S-SV, DS 40W** attaches easily below the support tray.

MODEL NUMBER	WEIGHT	SHIPPING WEIGHT	MAX LOAD CAPACITY
DS 32, DS 32-SV, DS 32W	21.1 lbs. (9.6 kg.)	24.0 lbs. (11.0 kg.)	160 lbs. (72.7 kg.)



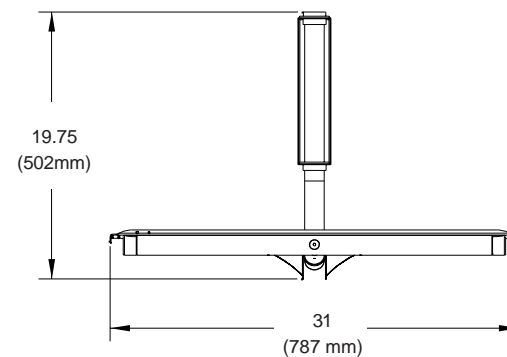
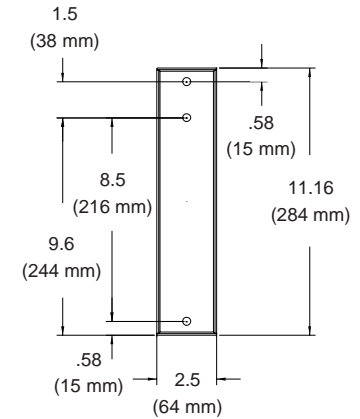
**Designer Series Wall Mount**

**TOP VIEW**

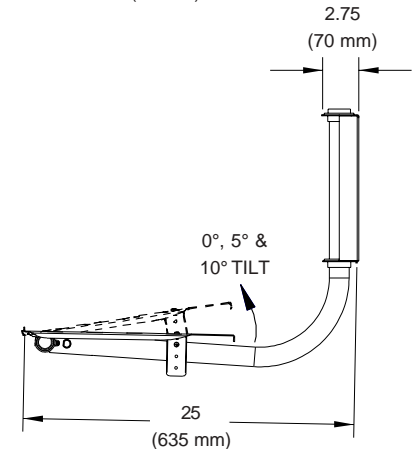


**WALL BRACKET DETAIL**

1.5x scale



**FRONT VIEW**



**SIDE VIEW**



This product is intended for use with UL Listed products and must be installed by a qualified professional installer.

**Architects Specifications:**

The television mount shall be a Peerless model \_\_\_\_\_ and shall be located where indicated on the plans. The finish shall be scratch resistant black, white, or silver fused epoxy. The point of attachment must be to a wood stud, solid concrete, brick, or cinder block wall. The television mount shall be constructed primarily of heavy gauge cold rolled steel. It shall feature three tilt positions and swivel arm. Assembly and installation shall be done according to instructions provided by the manufacturer.

**TECHNICAL DATA SHEET  
DESIGNER SERIES WALL MOUNT**



**Peerless Industries, Inc.**  
3215 W. North Ave. Melrose Park, IL 60160  
708-865-8870 800-865-2112 Fax 708-865-2941  
www.peerlessindustries.com

ISSUED: 06-08-00 SHEET NO:170-9508-4 08-12-04