

# Installation and Assembly - Designer Series TV Wall Mount for 32" TV's

Model: DS 32, DS 32-SV, DS 32W



This product is intended for use with UL Listed products and must be installed by a qualified professional installer.

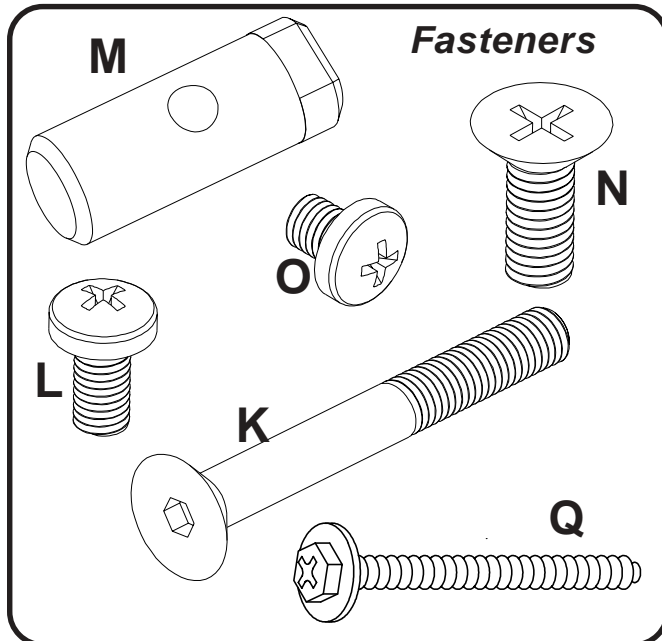
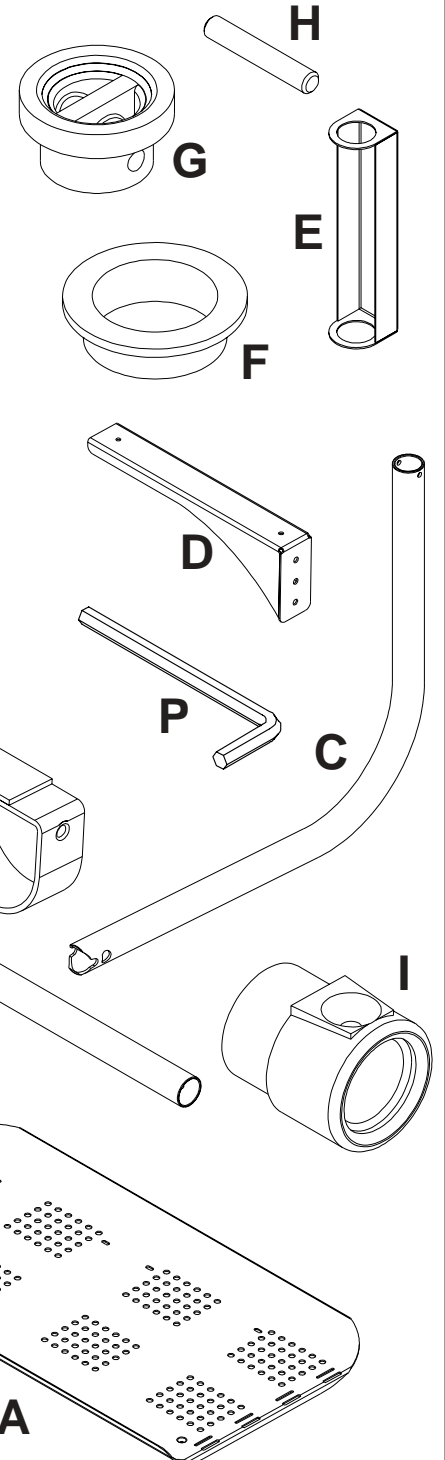
## MAXIMUM LOAD CAPACITY

MODEL NUMBER	MAX WEIGHT OF TV
DS 32, DS 32-SV, DS 32W	160 lbs. (73 kg.)

**IMPORTANT!** Read entire instruction sheet before you start installation and assembly.

### Parts List

PART # (Black)	PART # (White)	PART # (Silver)	QTY.	DESCRIPTION
A 170-1033	170-2033	170-4033	1	31" support tray
B 170-1034	170-2034	170-4034	1	27" cross arm
C 170-1035	170-2035	170-4035	1	22" wall support arm
D 170-1036	170-2036	170-4036	2	tilt adjuster gusset
E 170-1039	170-2039	170-4039	1	11" wall bracket
F 590-1005	9PT-66SW02P	590-4005	2	bushing
G 590-1007	6PT-66XX02P	590-4118	1	retainer plug
H 560-9643	560-9643	560-9643	1	retainer pin
I 590-1053	590-1054	590-4053	2	cross arm endcap
J 1545-275	1545-285	1545-265	1	retainer strap
K 520-9400	5S2-M08-H71	5S2-M08-H71	1	M8 x 70 mm bolt
L 520-9250	520-2005	520-2005	4	M5 x .8 x 10 mm pan screw
M 1545-274	9PT-99XX02P	9PT-99XX02P	1	draw bar
N 520-9270	520-9278	520-9278	2	M6 x 16 mm screw bolt
O 520-1023	520-9406	520-9406	2	M5 x .8 x 6 mm pan screw
P 560-9640	560-9640	560-9640	1	5 mm allen wrench
Q 5S1-015-C03	5S1-015-C04	5S1-015-C04	3	#14 x 2.5 hex screw



Before you start make sure all parts listed are included with your product.

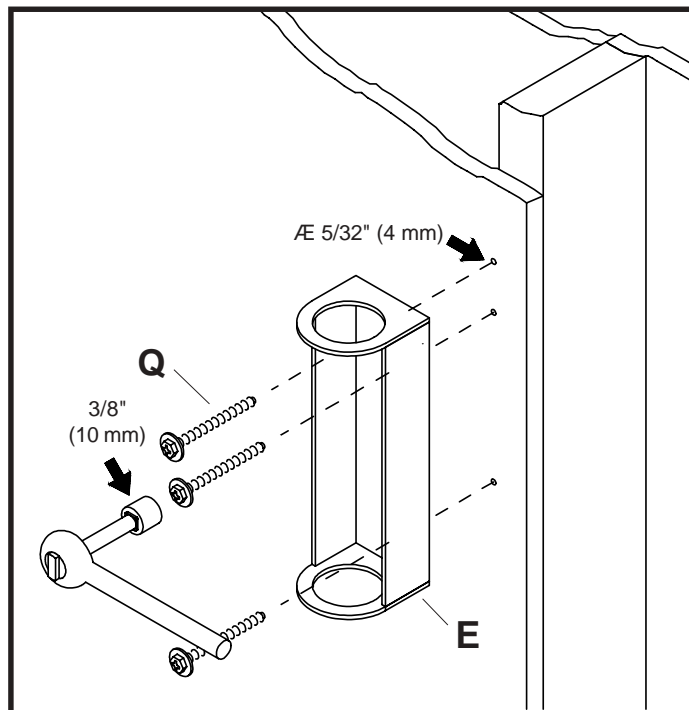
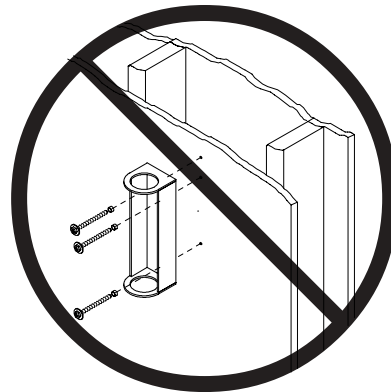
## ⚠ WARNING

- When installing Peerless wall mounts on cinder block, verify that you have a minimum of 1 3/8" of actual concrete surface in the 1/4" diameter hole to be used for the concrete anchors. Do not drill into mortar joints! Be sure to mount in a solid part of the block, generally 1" minimum from the side of the block. Cinder block must meet ASTM C-90 specifications. It is suggested that a standard electric drill on slow setting is used to drill the hole instead of a hammer drill to avoid breaking out the back of the hole when entering a void or cavity.
- Concrete must be 2000 psi density minimum. Lighter density concrete may not hold concrete anchor.
- Make sure that the wall will safely support 4 times the combined load of the equipment and all attached hardware and components.
- Never exceed the Maximum Load Capacity of 160 lb (73 kg).

- 1** **For Wood Stud Walls** (for concrete skip to step 2) drill three 5/32" (4 mm) dia. holes 2 1/2" (65 mm) deep. Attach wall bracket (**E**) using #14 x 2.5 (6 mm x 65 mm) wood screws (**Q**).

## ⚠ WARNING

- Tighten wood screws so that wall plate is firmly attached, but do not overtighten. Overtightening can damage the screws, greatly reducing their holding power.
- Never tighten in excess of 80 in • lb (9 N.M.).
- Make sure that mounting screws are anchored into the center of the studs. The use of an "edge to edge" stud finder is highly recommended.



**2 For Concrete Walls** use wall bracket, making sure that it is level, as a template to mark holes. Drill 1/4" (6 mm) dia. holes to a minimum depth of 2.5" (64 mm). Concrete must be 2000 psi density minimum. Insert anchors in holes flush with wall as shown (right). Place wall bracket over anchors and secure with #14 x 2.5" (6 mm x 65 mm) wood screws. Tighten all fasteners.

## ⚠ WARNING

- Tighten wood screws so that wall plate is firmly attached, but do not overtighten. Overtightening can damage the screws, greatly reducing their holding power.
- Never tighten in excess of 80 in • lb (9 N.M.).
- Make sure that mounting screws are anchored into the center of the studs. The use of an "edge to edge" stud finder is highly recommended.

## ⚠ WARNING

- Always attach concrete expansion anchors directly to load-bearing concrete.
- Never attach concrete expansion anchors to concrete covered with plaster, drywall, or other finishing material. If mounting to concrete surfaces covered with a finishing surface is unavoidable, the finishing surface must be counterbored as shown in Figure 1. If finishing surface is thicker than 5/8", custom fasteners must be supplied by installer.

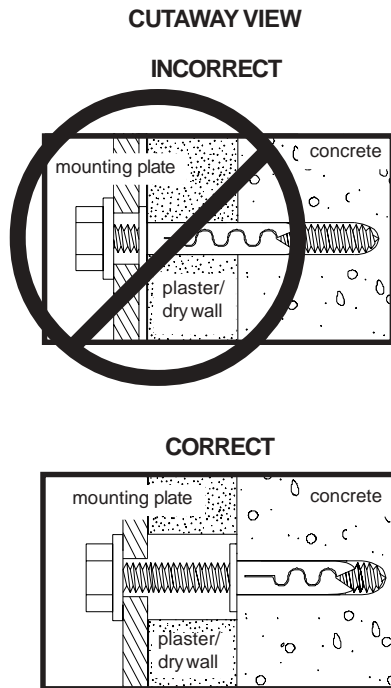
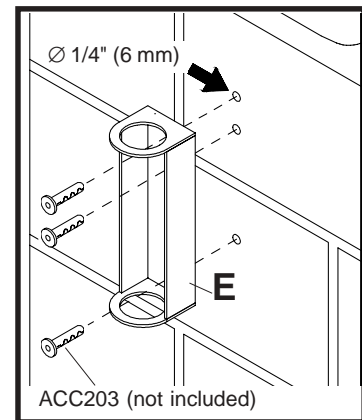
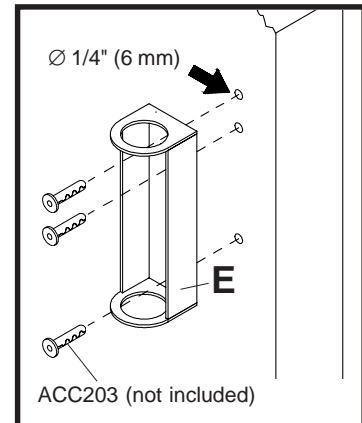
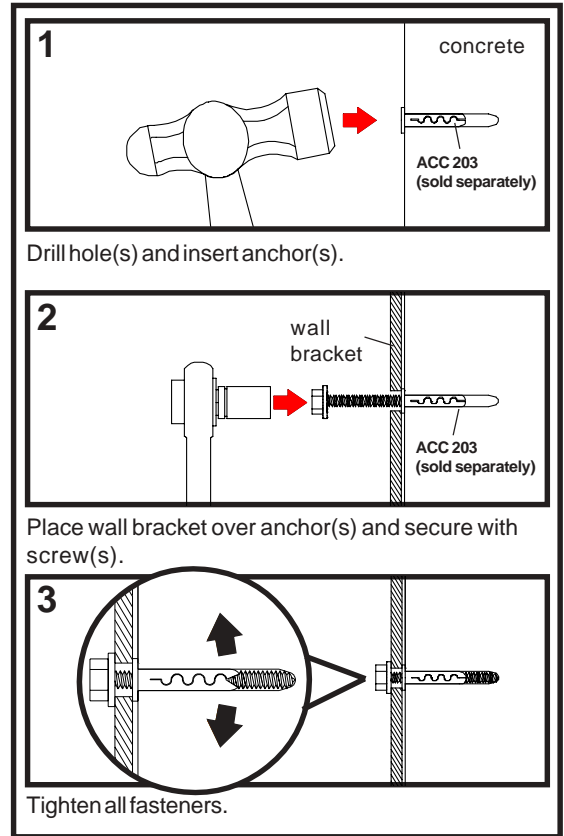
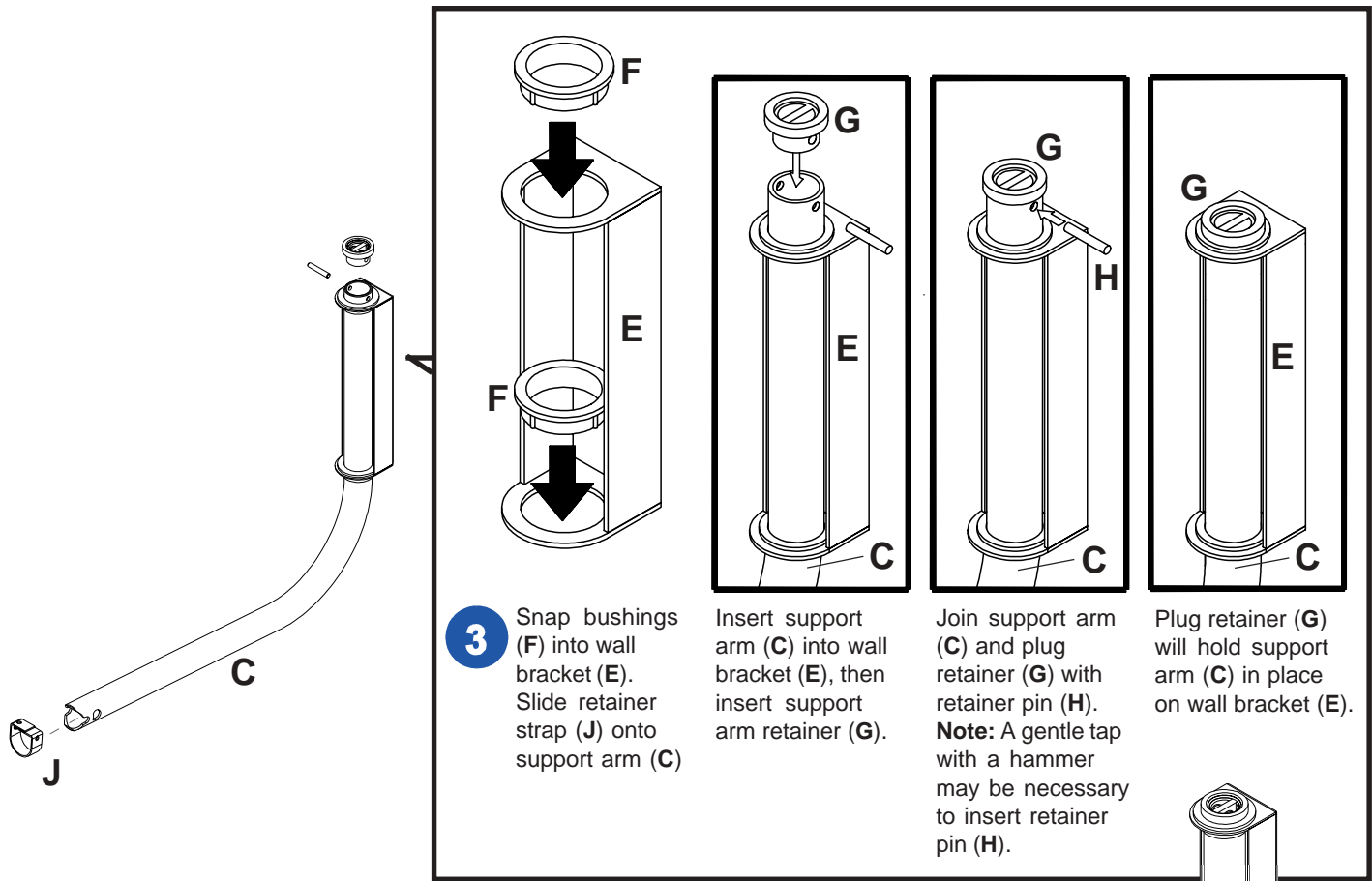
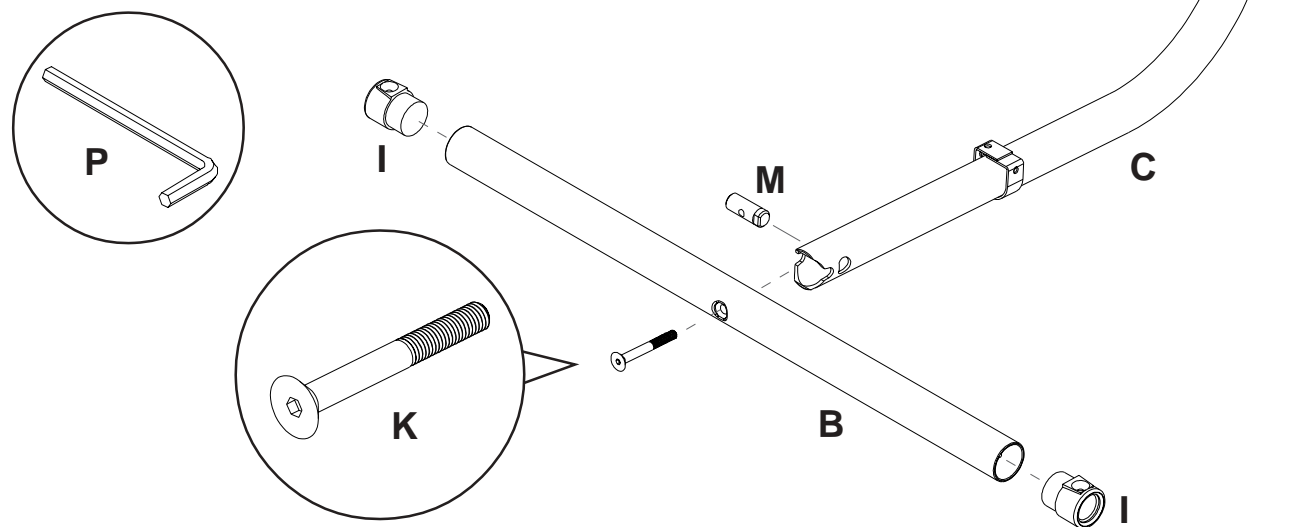


Figure 1

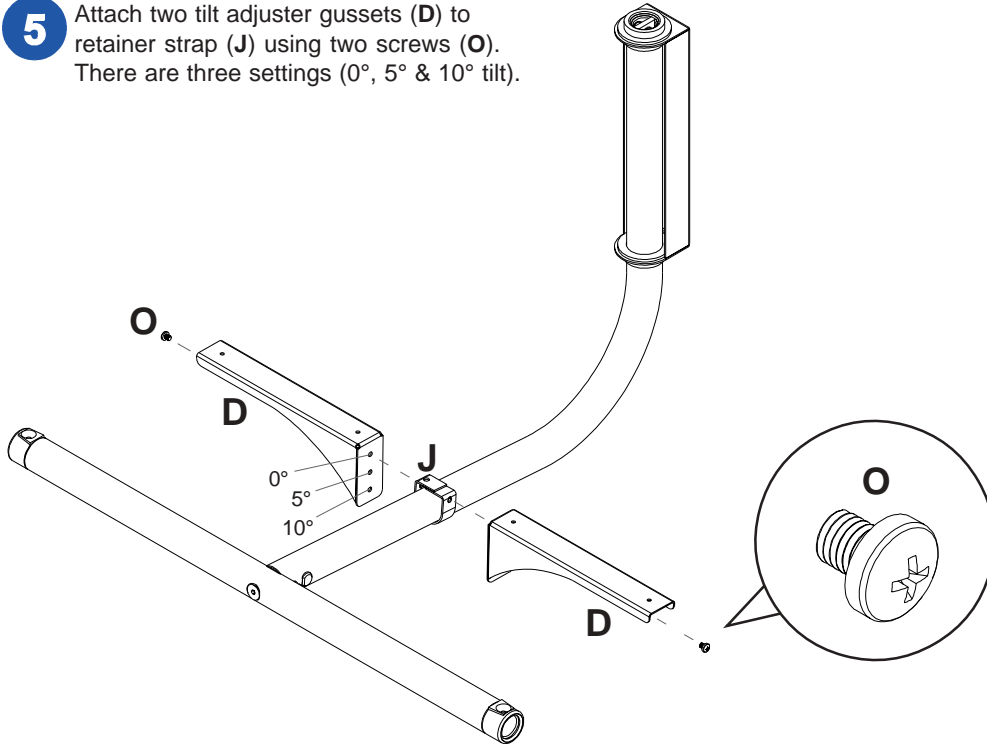




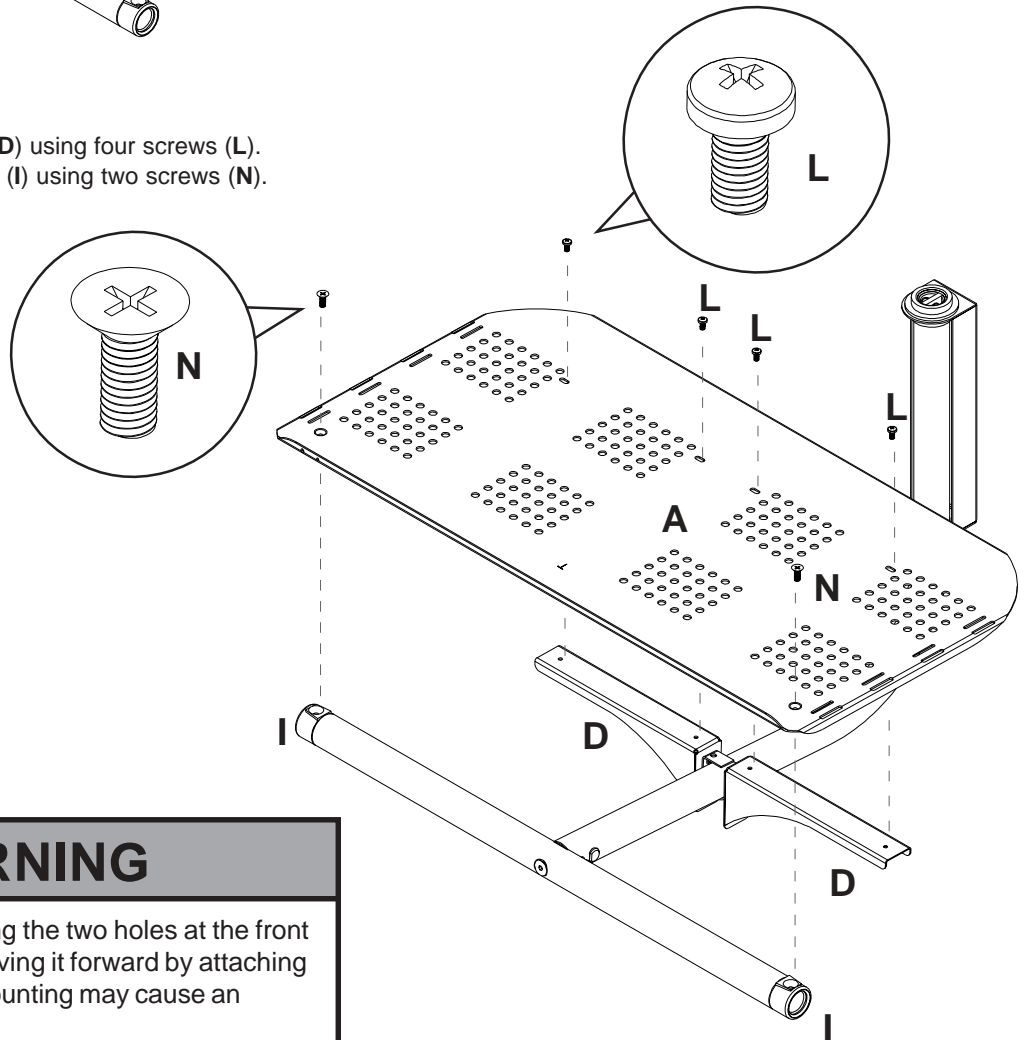
**4** Insert endcaps (I) into cross arm (B). Slide draw bar (M) into support arm (C). Attach cross arm (B) to support arm (C) with screw bolt (K) into draw bar (M) using allen wrench (P). **Note:** Two holes in crossarm (B) (for VCR attachment) should face bottom.



- 5** Attach two tilt adjuster gussets (**D**) to retainer strap (**J**) using two screws (**O**). There are three settings (0°, 5° & 10° tilt).



- 6** Attach tray (**A**) to gussets (**D**) using four screws (**L**). Secure tray (**A**) to endcaps (**I**) using two screws (**N**).



## ⚠ WARNING

- Tray must be attached using the two holes at the front of the tray as indicated. Moving it forward by attaching to holes provided for TV mounting may cause an unsafe mounting condition.