

TECHNICAL DATA SHEET - Slimline Wall Mount (with one-piece support tray)



MODELS: WB 20T, WB 27T



For installations where security is not a concern, choose **Slimline Wall Mount** models **WB20T** (for 19" to 20" TVs) or **WB27T** (for 25" to 27" TVs). Unlike the rest of the Slimline line, which feature two-piece keylock support trays, these models feature one-piece non-security trays.

Features:

- Universal one-piece swivel support tray with fixed 10° tilt and random mounting hole pattern
- All-steel construction
- Scratch resistant black fused epoxy finish
- Wood screws for attachment to wood stud wall included

Accessories:

- Concrete anchors available (order accessory kit #ACC 204)

Dimensions for WB 20T:

Weight:
14 lb (6.4 kg)

Shipping weight:
16 lb (8.0 kg)

Shipping Carton dimensions:

L = 24.875 in (631 mm)
W = 15.75 in (400 mm)
H = 6.125 in (156 mm)

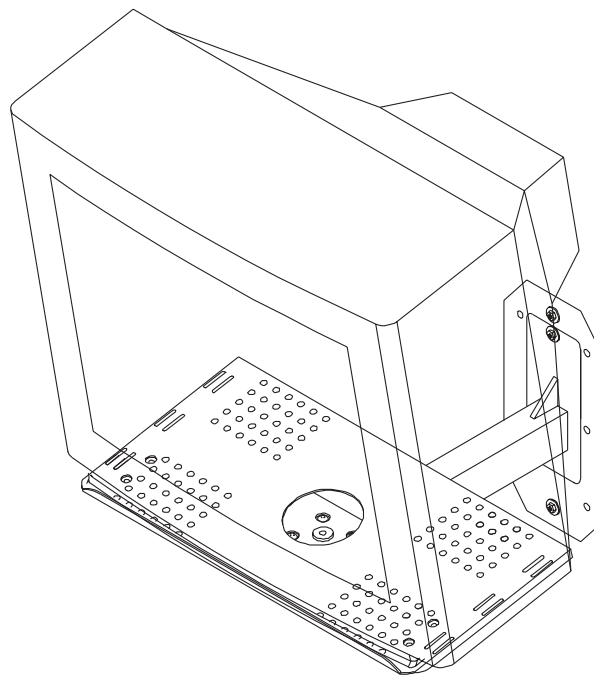
Dimensions for WB 27T:

Weight:
16.5 lb (7.5 kg)

Shipping weight:
20.9 lb (9.5 kg)

Shipping Carton dimensions:

L = 36.6 in (930 mm)
W = 15.00 in (381 mm)
H = 1.00 in (25 mm)



WB20T	Product is UL rated up to 20" TV, 125 lb
WB27T	Product is UL rated up to 27" TV, 125 lb

ARCHITECTS SPECIFICATIONS

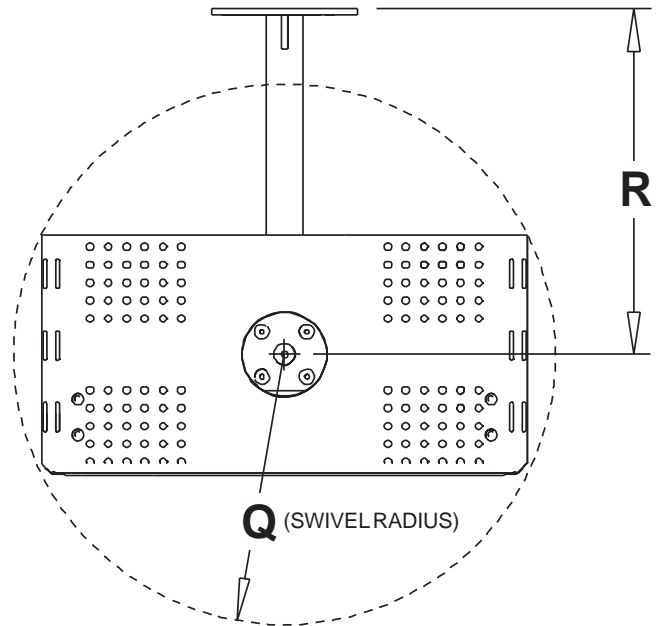
The TV mount shall be a Peerless model WB__T and shall be located where indicated on the plans. It shall feature a fixed 10° tilt support tray with a random mounting hole pattern and unrestricted swivel feature. Three wood screws shall be included for attachment to a wood stud wall. The TV mount shall be constructed entirely of 14 - 11 gage steel and finished in scratch resistant black fused epoxy. It shall be UL Listed. Assembly and installation shall be done according to instructions provided by the manufacturer.

TECHNICAL DATA SHEET

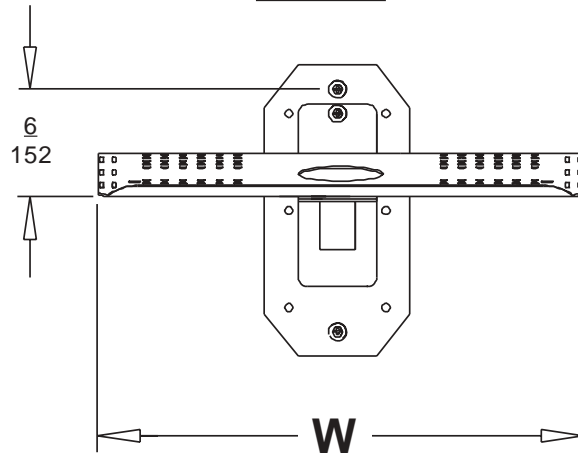
MODELS: WB 20T, WB 27T

NOTES:	
ALL DIMENSIONS: $\frac{\text{inch}}{\text{mm}}$ UNLESS OTHERWISE SPECIFIED	
CL = CENTERLINE	

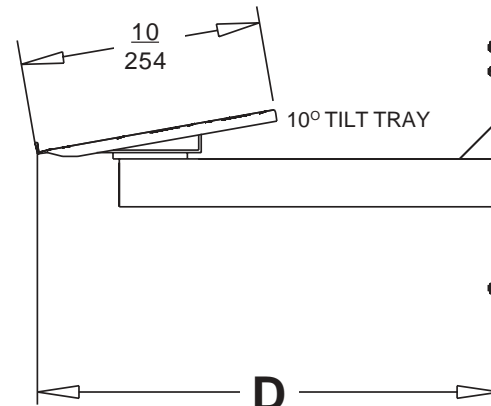
	WB20T	WB27T
D	$\frac{19.75}{502}$	$\frac{23}{584}$
Q	$\frac{11.125}{283}$	$\frac{13.375}{340}$
R	$\frac{14.75}{375}$	$\frac{18}{457}$
W	$\frac{20}{508}$	$\frac{25}{635}$
TV SIZE	19" - 20"	25" - 27"



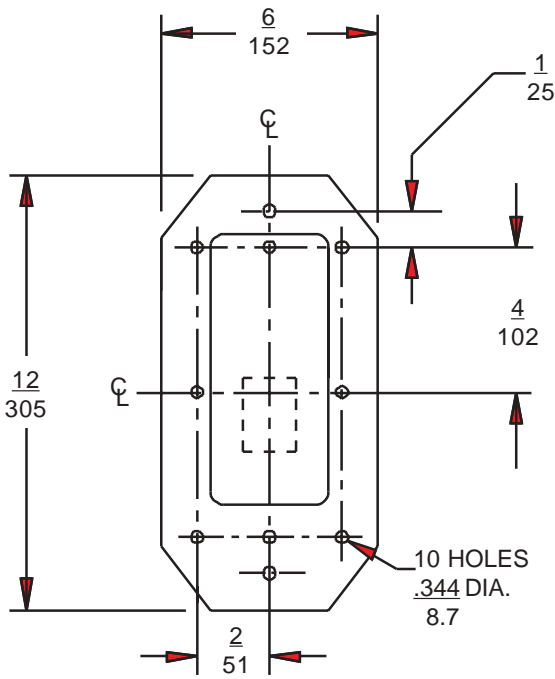
TOP VIEW



FRONT VIEW



SIDE VIEW



WALL PLATE