

# Slimline TV Wall Mount (with one-piece support tray)

Models: WB 20T,  
WB 27T

**IMPORTANT!** Read entire instruction sheet before beginning installation and assembly.

**IMPORTANT!** Certain types of walls require additional mounting hardware...

WALL CONSTRUCTION	ADDITIONAL HARDWARE REQUIRED
Wood Stud, Wood Beam	none
Solid Concrete, Cinder Block, Brick	Concrete Anchor Kit - <i>order accessory kit ACC 204.</i>
Other or unsure?	Contact Customer Care

## ⚠ WARNING

- Installer must verify that the supporting surface will safely support the combined weight of all attached equipment and hardware.

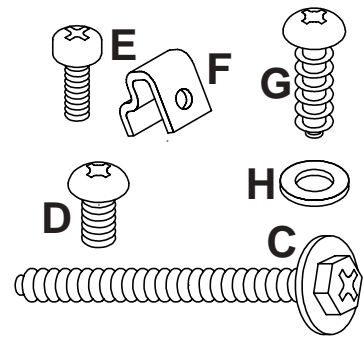


This product is intended for use with UL Listed products and must be installed by a qualified professional installer.

WB 20T	Product is UL rated up to 20" TV, 125 lb
WB 27T	Product is UL rated up to 27" TV, 125 lb

## Parts List

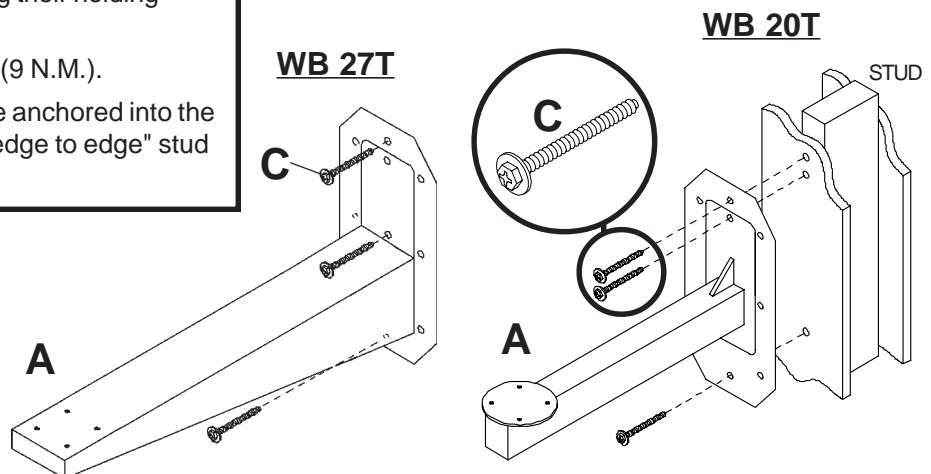
Description	Qty.	WB 20T Part #	WB 27T Part #
A wallarm	1	2141-376	041-1011
B support tray	1	028-0001	028-0006
C #14 x 2.5 (6 mm x 65 mm) wood screw	3	5S1-015-C03	5S1-015-C03
D 1/4-20 x 3/8" phillips screw	4	510-9107	510-9107
E M5 x .8 x 10 mm phillips screw	2	520-9250	520-9250
F uni-clip	2	2245-081	2245-081
G #10 x 3/4" particle board screw	4	500-9006	500-9006
H washer	4	540-9400	540-9400



- 1** For Wood Stud Walls drill three 5/32" (4 mm) dia. holes to a minimum depth of 2.5" (64 mm) into **stud center**. Attach wall arm (A) using #14 x 2.5" (6 mm x 65 mm) wood screws (C).

## ⚠ WARNING

- Tighten wood screws so that wall plate is firmly attached, but do not overtighten. Overtightening can damage the screws, greatly reducing their holding power.
- Never tighten in excess of 80 in • lb (9 N.M.).
- Make sure that mounting screws are anchored into the center of the studs. The use of an "edge to edge" stud finder is highly recommended.



## ⚠ WARNING

- When installing Peerless wall mounts on cinder block, verify that you have a minimum of 1-3/8" of actual concrete surface in the hole to be used for the concrete anchors. Do not drill into mortar joints! Be sure to mount in a solid part of the block, generally 1" minimum from the side of the block. Cinder block must meet ASTM C-90 specifications. It is suggested that a standard electric drill on slow setting is used to drill the hole instead of a hammer drill to avoid breaking out the back of the hole when entering a void or cavity.
- Concrete must be 2000 psi density minimum. Lighter density concrete may not hold concrete anchor.
- Make sure that the supporting surface will safely support the combined load of the equipment and all attached hardware and components.

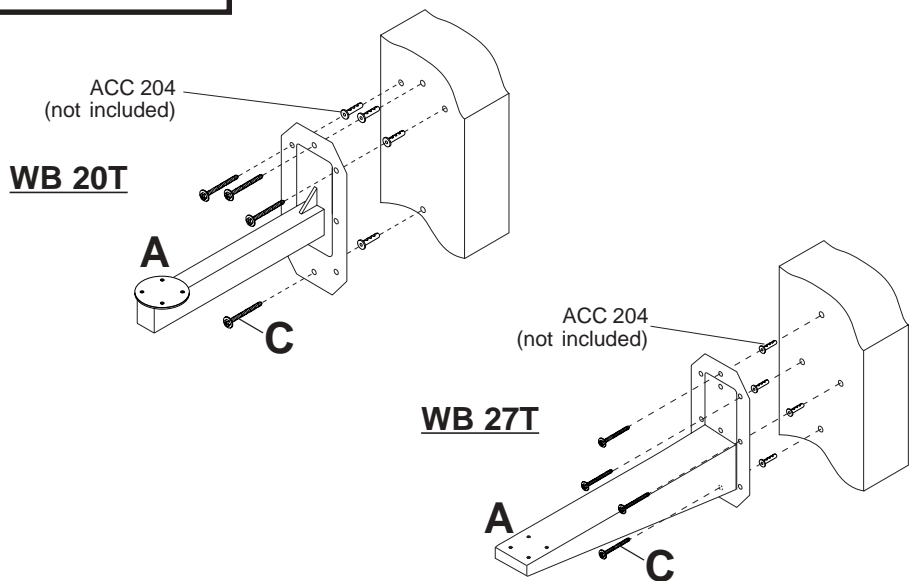
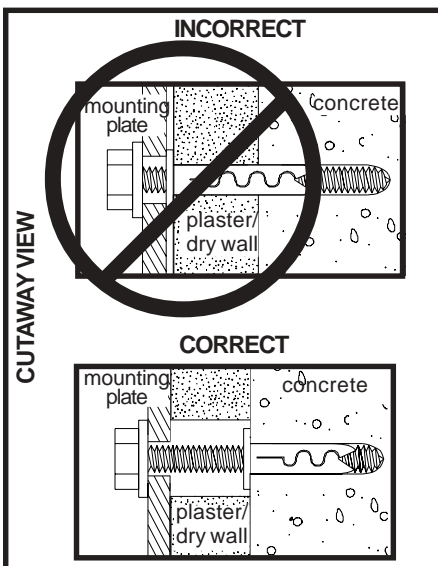
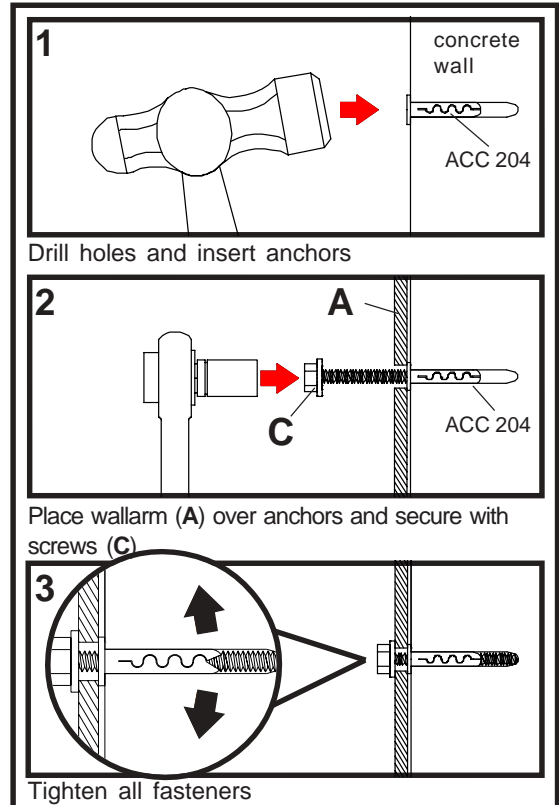
- 2** For **Concrete Walls** use wallarm (A), making sure that it is level, as a template to mark holes. Drill four 1/4" (6 mm) dia. holes to a minimum depth of 2.5" (64 mm). Concrete must be 2000 psi density minimum. Insert anchors in holes flush with wall as shown (right). Place wallarm (A) over anchors and secure with #14 x 2.5" (6 mm x 65 mm) wood screws (C). Tighten all fasteners.

## ⚠ WARNING

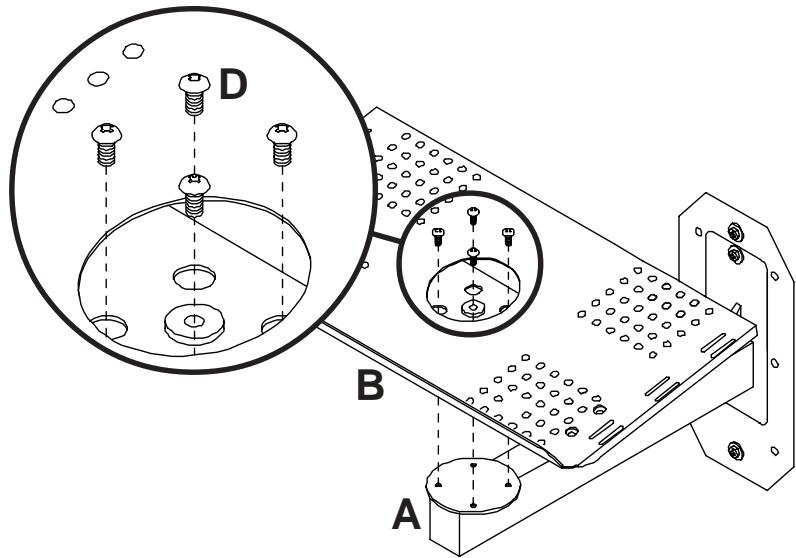
- Tighten wood screws firmly, but do not overtighten. Overtightening can damage the screws, greatly reducing their holding power.
- Never tighten in excess of 80 in • lb (9 N.M.).

## ⚠ WARNING

- Concrete anchors are **not** intended for attachment to concrete wall covered with a layer of plaster, drywall, or other finishing material. If mounting to concrete wall covered with plaster/drywall is unavoidable, plaster/drywall (up to 5/8" thick) must be counterbored as shown below. If plaster/drywall is thicker than 5/8", custom fasteners must be supplied by installer.



- 3** Attach support tray (B) to end of wallarm (A) using four 1/4-20 x 3/8" phillips screws (D).



- 4** Using uni-clips (F) and M5 screws (E) (see instruction card in fastener pack), or 3/4" particle board screws (G) and washers (H) (for attachment to mounting bosses if present on TV bottom), or a combination of both, attach TV to support tray (B). Attach at four places as close to the four corners of the TV bottom as possible.

