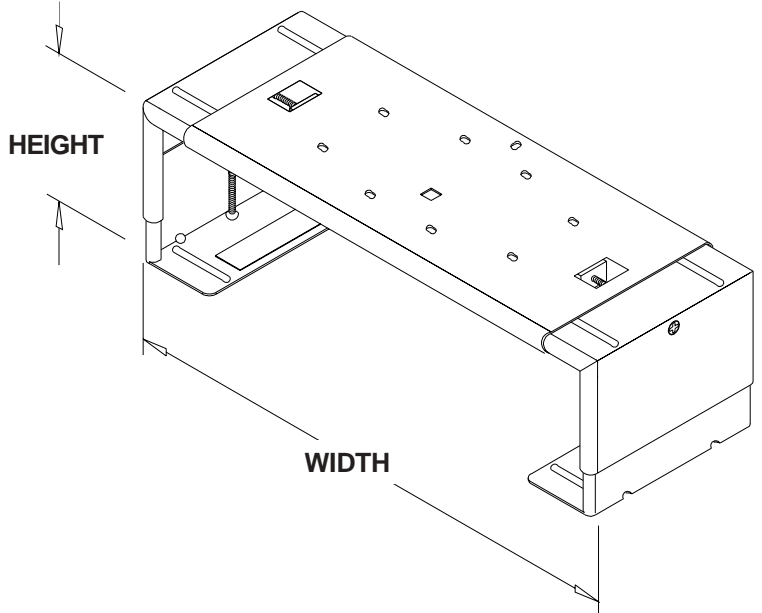


VCR Mount attaches to Plasma Mount as pictured. All mounting hardware is included.



MODEL #	WEIGHT	SHIPPING WEIGHT
VPM40-P, SVPM40-P	4.8 LBS. (2.2 KG.)	5.6 LBS. (2.5 KG.)

VCR MOUNT MODELS: VPM40-P / SVPM40-P			
INSIDE DIMENSIONS		VCR DIMENSIONS	
WIDTH (W)	HEIGHT (H)	MAXIMUM	MINIMUM
13.25" - 17.25" (337mm - 438mm)	2.69" - 4.5" (68mm - 114mm)	17.25" x 4.25" (438mm x 108mm)	13.25" x 3" (337mm x 76mm)

**VCR MOUNT FOR PLASMA 2000  
TECHNICAL DATA SHEET**

**Architects specifications:**

The VCR Mount shall be a Peerless model \_\_\_\_\_. It shall be constructed of heavy gauge cold rolled steel. It shall feature adjustable height and width in a design that surrounds and clamps the VCR. The point of attachment shall be to the bottom of a Peerless Plasma 2000 TV mounting bracket. The finish shall be scratch resistant Black Fused Epoxy. Assembly and installation shall be done according to instructions provided by the manufacturer.

**Peerless Industries, Inc.**  
 3215 W. North Ave. phone: (708) 865-8870  
 Melrose Park, IL 60160 fax: (708) 865-2941  
 www.peerlessindustries.com  
 ISSUED: 3-19-99 SHEET NO: 081-9519-1 02-07-02