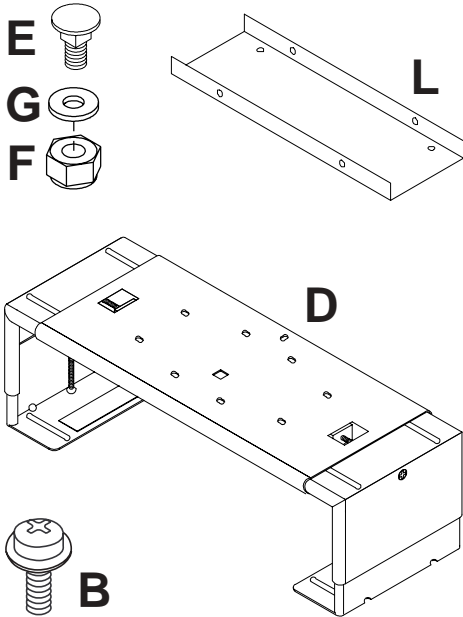


Installation and Assembly - VCR Mount for Plasma 2000

**Models: VPM40-P
SVPM40-P**

MODEL #	INSIDE DIMENSIONS	
	WIDTH (W)	HEIGHT (H)
VPM40-P, SVPM40-P	13.25" - 17.25" (337mm - 438mm)	2.69" - 4.5" (68mm - 114mm)



Parts List

Before you start make sure all parts listed below are included with your product.

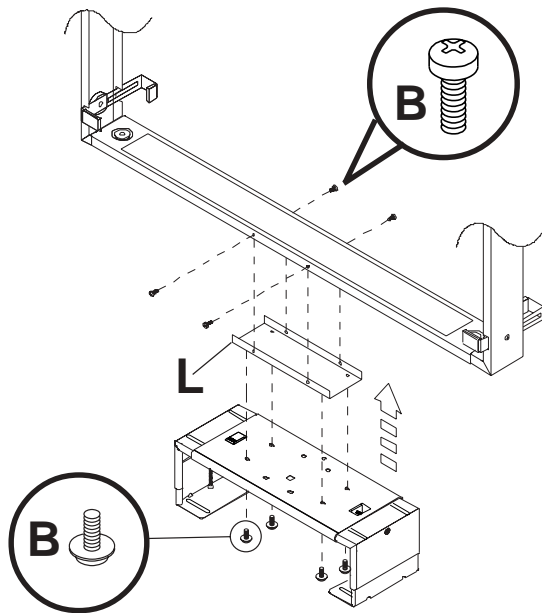
PART #	QTY.	DESCRIPTION
B 520-1030	8	M5 x .8 x 10mm phillips screw w/ washer (<i>VPM40-P only</i>)
505-9010	8	M5 x .8 x 10mm penta-pin screw (not shown)
C 520-9249	1	penta-pin tool (SVPM only - not shown)
D	1	VCR bracket
E 520-9523	4	10-24 x 1/2 carriage bolt
F 530-9341	4	10-24 nylock nut
G 540-9400	4	#10 SAE flat washer
L 200-1021	1	hanger bracket

Parts may appear slightly different than illustrated.

Check parts list. Be sure all parts listed are included with your product.

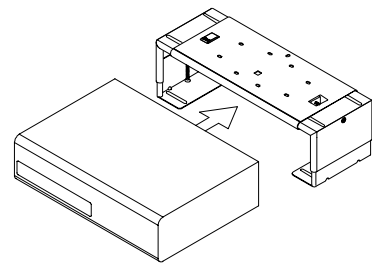
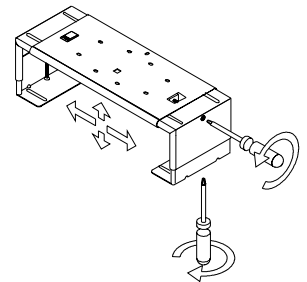
Note: The PentaPin tool is only included with security models (SVPM models)

- 1** Attach VCR to Plasma Mount lower support as shown.



- 2** Adjust size.
Insert VCR.

Align front of VCR with front of PlasmaTV.
Tighten screws to achieve a secure grip.

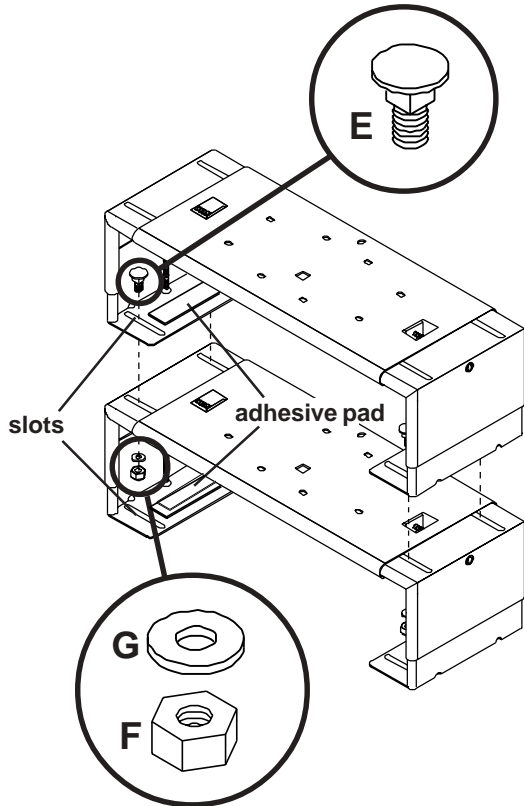


OPTIONAL: If attaching multiple VCR mounts to a TV mount, proceed with step 3 through 5

IMPORTANT! Do not stack more than three VCR Mounts from a single Peerless TV Mount!

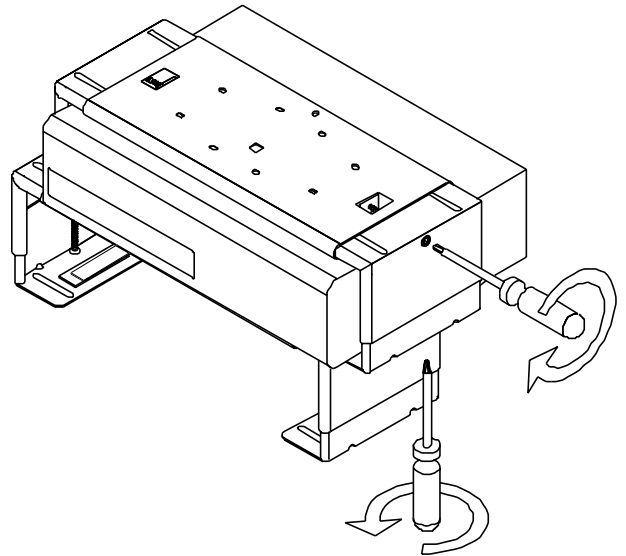
IMPORTANT! Stacked load can not exceed 50lbs.

- 3** Insert four carriage bolts (E) into slots in upper VCR Mount. Attach lower VCR Mount using four nuts (F) and four washers (G). **HAND TIGHTEN ONLY.**
Note: if adhesive pads on VCR Mount are covering slots, trim away excessive pad to expose slots.



- 5** Align front of VCR with front of TV on TV Mount above (TV Mount not pictured). Tighten expansion screws in sides and bottom of VCR Mount to clamp the VCR with a firm, secure grip.
Note: To access the vertical expansion screws located on the bottom of the upper VCR Mount, slide the lower VCR Mount to the side exposing vertical expansion screw. Repeat this step on opposite side of VCR Mount. Center lower VCR Mount and tighten four nuts (F, see step 3) securely.

Expand lower VCR Mount to slightly larger than the height and width of the VCR that it will hold. Insert and clamp lower VCR into lower VCR Mount.



- 4** Insert VCR into upper VCR Mount.

