

TECHNICAL DATA SHEET - Video Conferencing Shelf

peerless[®]
Solid Solutions - Solid Support™

MODELS: ACC 308, ACC 308S

The **Video Conferencing Shelf** allows a video conferencing camera to be placed directly above the TV mounted in a Jumbo 2000 model.

Features:

- 24.8" x 7.8" shelf
- Places camera in optimal position for eye contact with other party
- Heavy gauge steel construction
- Scratch resistant black or silver fused epoxy finish
- Shelf works with models **JM 2650, JM 2650S, JM 2650D, JM 2650DS, JM 2655, JM 2655S, JM 2660, JM 2660S, JM 2665, JM 2665S, JM 2670, JM 2670S, JM 2675, JM 2675S**

Dimensions:

Weight:

5.25 lb (2.4 kg)

Shipping weight:

6 lb (2.7 kg)

Maximum Load Capacity:

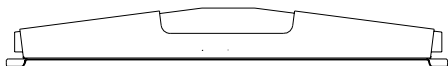
25 lb (11.6 kg)

Shipping Carton dimensions:

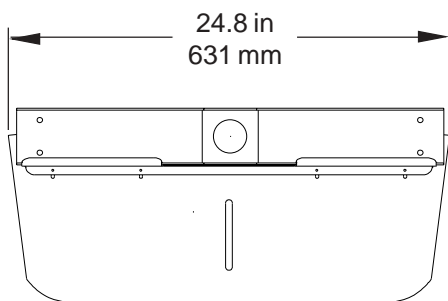
L= 26 in (660 mm)

W= 13 in (330 mm)

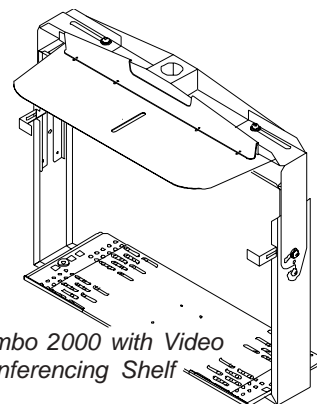
H= 1.5 in (38 mm)



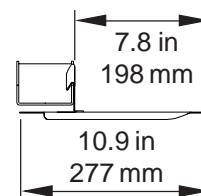
FRONT VIEW



TOP VIEW



Jumbo 2000 with Video Conferencing Shelf



SIDE VIEW

ARCHITECTS SPECIFICATIONS:

The Video Conferencing Shelf shall be a Peerless model _____ and shall be mounted where indicated on the plans. It shall feature a security fastener kit. It shall be constructed of heavy gauge cold rolled steel and finished in scratch resistant black or silver fused epoxy. Installation and assembly shall be done in accordance with the instructions provided by the manufacturer.

Peerless Industries, Inc.
3215 W. North Ave. Melrose Park, IL 60160
708-865-8870 800-865-2112 Fax 708-865-2941
www.peerlessindustries.com

ISSUED: 10-03-01 SHEET NO: 199-9504-3 08-11-04

©2004 Peerless Industries, Inc. All rights reserved.
Peerless is a registered trademark of Peerless Industries, Inc.
All other brand and product names are trademarks or registered trademarks of their respective owners.