

TECHNICAL DATA SHEET - Jumbo 2000™ Ceiling Mount



MODELS: JMC 2630, JMC 2630S, JMC 2640, JMC 2640S, JMC 2640D, JMC 2640DS, JMC 2650, JMC 2650S, JMC 2650D, JMC 2650DS, JMC 2655, JMC 2655S, JMC 2660, JMC 2660S, JMC 2665, JMC 2665S, JMC 2670, JMC 2670S, JMC 2675, JMC 2675S



The Jumbo 2000™ Ceiling Mounts completely surround and trap the monitor in place allowing for safe tilt up to 30°. Quick connect assembly allow upper portion of mount to be set first, then lower bracket lifts into place for easier installation.

Features:

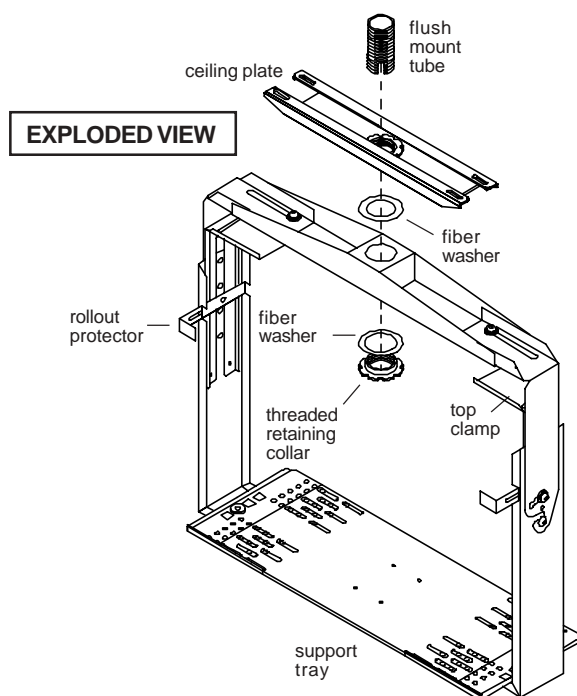
- Includes ceiling plate and flush mount tube
- 0° to 30° adjustable tilt, 360° swivel
- Top and front roll out protection
- Height and width adjustable to exact dimensions of monitor
- Available for 13" to 42" TV's or monitors (check dimensions for compatibility)
- VCR mount can be added after installation
- Includes hardware for mounting to wood joist ceiling
- Heavy gauge steel construction
- Scratch resistant black or silver fused epoxy finish

Accessories:

- Extension columns (EXT or ADJ models)
- Security fasteners model #ACC 502
- Safety belt model #ACC 666
- VCR mounts
- Alligator® concrete anchors model #ACC 204
- Bumper guards model #ACC 103
- Video conferencing shelf model #ACC 308
- Power Buddy Hoist model #JMB 100
- Oversized roll out protectors model #ACC 016

Dimensions:

For dimensions and weights, see page 2.



ARCHITECTS SPECIFICATIONS:

The Television Mounting Bracket shall be a Peerless model _____ and shall be mounted where indicated on the plans. It shall feature adjustable height and width with top clamps and rollout protectors. It shall be constructed primarily of 14 gauge cold rolled steel and finished in black or silver fused epoxy. It shall be U.L. Listed. Assembly and installation shall be done according to the instructions provided by the manufacturer.

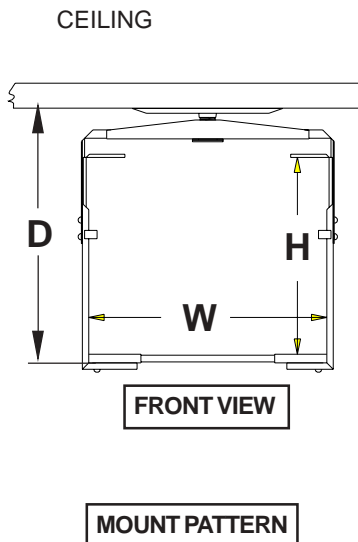
TECHNICAL DATA SHEET

ALL DIMENSIONS: $\frac{\text{INCH}}{\text{MM}}$

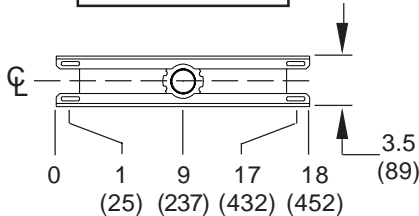
Note: Height is the dimension from the support tray to top clamps. Width is the side to side dimension of the support tray. Both are inside dimensions.

MODELS: JMC 2630, JMC 2630S, JMC 2640, JMC 2640S, JMC 2640D, JMC 2640DS, JMC 2650, JMC 2650S, JMC 2650D, JMC 2650DS, JMC 2655, JMC 2655S, JMC 2660, JMC 2660S, JMC 2665, JMC 2665S, JMC 2670, JMC 2670S, JMC 2675, JMC 2675S

Maximum Load Capacity (wood/concrete): 300 lb (136 kg)



Product Weight	Shipping Weight	Model Number	BRACKET INSIDE DIMENSIONS		Tray Depth L
			Width (W)	Height (H)	
27.3 lb (12.4 kg)	34 lb (15.4 kg)	JMC 2630, JMC 2630S	13.5" - 21" (343 mm) (533 mm)	11.4" - 17.7" (290 mm) (450 mm)	10" (254 mm)
30 lb (13.6 kg)	37 lb (16.8 kg)	JMC 2640, JMC 2640S	18" - 26" (457 mm) (660 mm)	14.2" - 20.4" (361 mm) (518 mm)	10" (254 mm)
32.7 lb (14.8 kg)	39 lb (17.7 kg)	JMC 2640D, JMC 2640DS	18" - 26" (457 mm) (660 mm)	14.2" - 20.4" (361 mm) (518 mm)	14" (356 mm)
23.2 lb (10.5 kg)	30 lb (13.6 kg)	JMC 2650, JMC 2650S	24" - 31" (610 mm) (787 mm)	19.2" - 25.4" (488 mm) (645 mm)	10" (254 mm)
27.5 lb (12.5 kg)	34 lb (15.4 kg)	JMC 2650D, JMC 2650DS	24" - 31" (610 mm) (787 mm)	19.2" - 25.4" (488 mm) (645 mm)	14" (356 mm)
37.3 lb (16.9 kg)	41 lb (18.6 kg)	JMC 2655, JMC 2655S	24" - 31" (610 mm) (787 mm)	14.2" - 20.4" (361 mm) (518 mm)	14" (356 mm)
36.2 lb (16.4 kg)	49 lb (22.2 kg)	JMC 2660, JMC 2660S	29" - 36" (737 mm) (914 mm)	24.2" - 30.4" (614 mm) (772 mm)	14" (356 mm)
39 lb (17.7 kg)	40 lb (18.1 kg)	JMC 2665, JMC 2665S	29" - 36" (737 mm) (914 mm)	19.2" - 25.4" (488 mm) (645 mm)	14" (356 mm)
49.8 lb (22.6 kg)	56 lb (25.4 kg)	JMC 2670, JMC 2670S	34" - 41.25" (864 mm) (1048 mm)	29.2" - 35.4" (742 mm) (900 mm)	14" (356 mm)
46.3 lb (21 kg)	54 lb (24.5 kg)	JMC 2675, JMC 2675S	34" - 41.25" (864 mm) (1048 mm)	24.2" - 30.4" (615 mm) (772 mm)	14" (356 mm)



Shipping Carton dimensions:

JUMBO 2630-2650 CARTON
L= 15.625 (397) W= 27.375 (695) H= 9.5 (241)

JUMBO 2660-2675 CARTON
L= 36.625 (930) W= 15 (381) H= 9.875 (251)

Model Number	Height Range (H)	Overall Drop (D)
JMC 2630, JMC 2630S	(D1) 11.4 - 13.5 (290-343) (D2) 13.5 - 15.6 (343-396) (D3) 15.6 - 17.7 (396-450)	20.8 (528) 22.8 (579) 24.8 (630)
JMC 2640, JMC 2640S JMC 2640D, JMC 2640DS, JMC 2655, JMC 2655S	(D1) 14.2 - 16.2 (361-411) (D2) 16.3 - 18.3 (414-465) (D3) 18.4 - 20.4 (467-518)	22.6 (574) 24.6 (625) 26.6 (676)
JMC 2650, JMC 2650S, JMC 2650D, JMC 2650DS, JMC 2665, JMC 2665S	(D1) 19.2 - 21.2 (488-538) (D2) 21.3 - 23.3 (541-592) (D3) 23.4 - 25.4 (594-645)	28 (711) 30 (762) 32 (813)
JMC 2660, JMC 2660S JMC 2675, JMC 2675S	(D1) 24.2 - 26.2 (615-665) (D2) 26.3 - 28.3 (668-719) (D3) 28.4 - 30.4 (721-772)	36.75 (934) 38.75 (984) 40.75 (1035)
JMC 2670, JMC 2670S	(D1) 29.2 - 31.2 (742-792) (D2) 31.3 - 33.3 (795-846) (D3) 33.4 - 35.4 (848-899)	41.75 (1060) 43.75 (1111) 45.75 (1162)

