

MODELS : JMS 2630, JMS 2630S, JMS 2640, JMS 2640S, JMS 2640D, JMS 2640DS, JMS 2650, JMS 2650S, JMS 2650D, JMS 2650DS, JMS 2655, JMS 2655S, JMS 2660, JMS 2660S, JMS 2665, JMS 2665S, JMS 2670, JMS 2670S, JMS 2675, JMS 2675S

The **Jumbo 2000™ Suspended Ceiling Kit** includes all mounting hardware for a suspended ceiling installation (3' drop or less from true ceiling). Models are available for 13" (330 mm) to 42" (1067 mm) TVs and monitors.

FEATURES

- Adjustable tilt - 0° - 30°
- 360° swivel
- Heavy gauge steel construction
- Scratch resistant fused epoxy finish (black bracket, almond tray)
- Design surrounds and clamps the TV for maximum stability
- 24" x 24" suspended ceiling tray with two electrical box knockouts

For dimensions, weight, and shipping weight see page 2.

ACCESSORIES

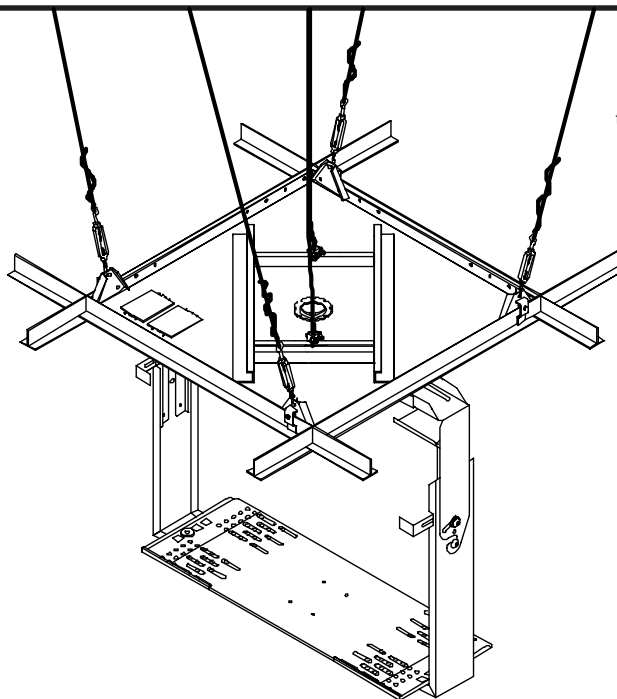
- Extension columns (several models available, both fixed and adjustable)
- VCR mount
- Safety belt accessory #ACC 666

Two attachment methods.

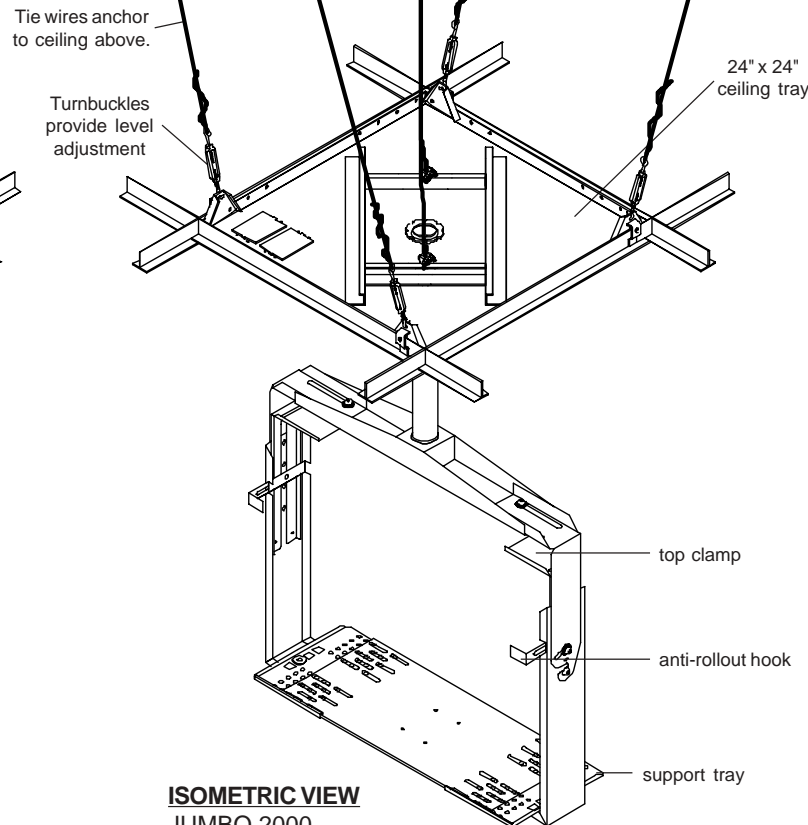
Attach directly to the ceiling tray with flush mount tube and retaining collar, or lower the monitor position by adding an extension column (several models available, both fixed length and adjustable). Flush mount tube, fiber washers and retaining collar are included. Extension columns are sold separately.

Architects specifications:

The Television Mounting Bracket shall be a Peerless model _____ and shall be mounted where indicated on the plans. It shall feature adjustable height and width with top clamp and hook rollout protection devices. It shall be constructed primarily of 14 gauge cold rolled steel with scratch resistant fused epoxy finish. It shall be U.L. Listed. Assembly and installation shall be done according to the instructions provided by the manufacturer.



ISOMETRIC VIEW
JUMBO 2000
SUSP. CEILING KIT



ISOMETRIC VIEW
JUMBO 2000
SUSP. CEILING KIT
WITH EXTENSION
COLUMN



TECHNICAL DATA SHEET
JUMBO 2000™ Suspended Ceiling Kit

Peerless Industries, Inc.

3215 W. North Ave.

Melrose Park, IL 60160

www.peerlessindustries.com

ISSUED: 2-25-99

phone: (708) 865-8870

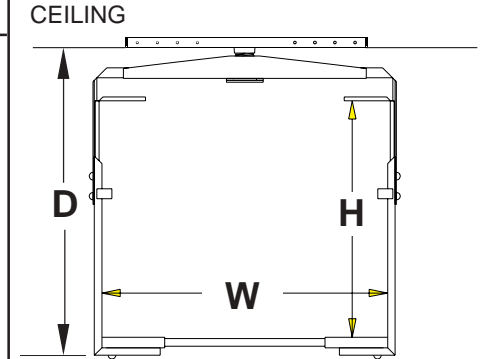
fax: (708) 865-2941

SHEET NO: 128-9555-4 08-19-04

MODELS : JMS 2630, JMS 2630S, JMS 2640, JMS 2640S, JMS 2640D, JMS 2640DS, JMS 2650, JMS 2650S, JMS 2650D, JMS 2650DS, JMS 2655, JMS 2655S, JMS 2660, JMS 2660S, JMS 2665, JMS 2665S, JMS 2670, JMS 2670S, JMS 2675, JMS 2675S

JUMBO 2000 SUSPENDED CEILING KIT - SPECIFICATIONS

Jumbo 2000 Suspended Ceiling Kit				TV/Monitor			
Weight	Shipping Weight	Model Number	BRACKET INSIDE DIMENSIONS		Support Tray Depth (L)	Diagonal Screen Size	Screen Aspect Ratio
			Width (W)	Height (H)			
33.6 lb (15.2 kg)	44 lb (20 kg)	JMS 2630, JMS 2630S	13.5" - 21" (343 mm) (533 mm)	11.4" - 17.7" (290 mm) (450 mm)	10" (254 mm)	13" - 17" (330 mm) (432 mm)	standard
39 lb (17.7 kg)	49.5 lb (22.4 kg)	JMS 2640, JMS 2640S	18" - 26" (457 mm) (660 mm)	14.2" - 20.4" (361 mm) (518 mm)	10" (254 mm)	19" - 21" (483 mm) (533 mm)	standard
44.1 lb (20 kg)	54.5 lb (24.7 kg)	JMS 2640D, JMS 2640DS	18" - 26" (457 mm) (660 mm)	14.2" - 20.4" (361 mm) (518 mm)	14" (356 mm)	19" - 21" (483 mm) (533 mm)	standard
38.6 lb (17.5 kg)	49 lb (22.3 kg)	JMS 2650, JMS 2650S	24" - 31" (610 mm) (787 mm)	19.2" - 25.4" (488 mm) (645 mm)	10" (254 mm)	25" - 27" (635 mm) (686 mm)	standard
42.6 lb (19.3 kg)	53 lb (24 kg)	JMS 2650D, JMS 2650DS	24" - 31" (610 mm) (787 mm)	19.2" - 25.4" (488 mm) (645 mm)	14" (356 mm)	25" - 27" (635 mm) (686 mm)	standard
45 lb (20.4 kg)	55.4 lb (25.1 kg)	JMS 2655, JMS 2655S	24" - 31" (610 mm) (787 mm)	14.2" - 20.4" (361 mm) (518 mm)	14" (356 mm)	25" - 27" (635 mm) (686 mm)	wide
50.6 lb (22.9 kg)	61 lb (27.7 kg)	JMS 2660, JMS 2660S	29" - 36" (737 mm) (914 mm)	24.2" - 30.4" (614 mm) (772 mm)	14" (356 mm)	30" - 35" (762 mm) (889 mm)	standard
45.6 lb (20.7 kg)	56 lb (25.4 kg)	JMS 2665, JMS 2665S	29" - 36" (737 mm) (914 mm)	19.2" - 25.4" (488 mm) (645 mm)	14" (356 mm)	27" - 35" (686 mm) (889 mm)	wide
53.6 lb (24.3 kg)	64 lb (29 kg)	JMS 2670, JMS 2670S	34" - 41.25" (864 mm) (1048 mm)	29.2" - 35.4" (742 mm) (900 mm)	14" (356 mm)	37" - 42" (940 mm) (1067 mm)	standard
51.6 lb (23.4 kg)	62 lb (28.1 kg)	JMS 2675, JMS 2675S	34" - 41.25" (864 mm) (1048 mm)	24.2" - 30.4" (615 mm) (772 mm)	14" (356 mm)	35" - 42" (889 mm) (1067 mm)	wide

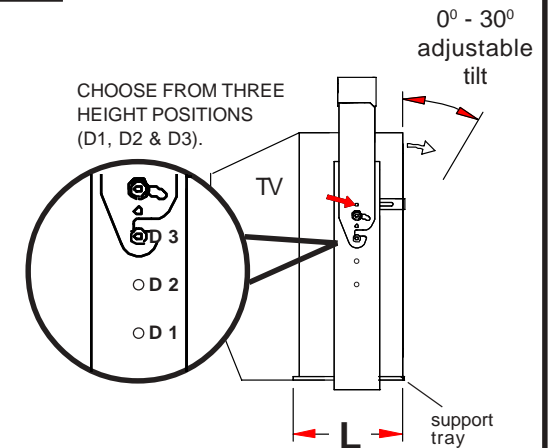


WARNING: WEIGHT OF TV or MONITOR NOT TO EXCEED MAXIMUM LOAD CAPACITY OF 250 LB (113 KG)!

Model Number	Height Range (H)	Overall Drop (D)
JMS 2630, JMS 2630S	(D1) 11.4 - 13.5 (290-343)	19.8 (528)
	(D2) 13.5 - 15.6 (343-396)	21.8 (579)
	(D3) 15.6 - 17.7 (396-450)	23.8 (630)
JMS 2640, JMS 2640S, JMS 2640D, JMS 2640DS, JMS 2655, & JMS 2655S	(D1) 14.2 - 16.2 (361-412)	21.6 (574)
	(D2) 16.3 - 18.3 (412-465)	23.6 (625)
	(D3) 18.4 - 20.4 (467-518)	25.6 (676)
JMS 2650D, JMS 2650DS, JMS 2650, & JMS 2650S	(D1) 19.2 - 21.2 (488-539)	27 (711)
	(D2) 21.3 - 23.3 (541-592)	29 (762)
	(D3) 23.4 - 25.4 (594-645)	31 (813)
JMS 2660, JMS 2660S, JMS 2675, & JMS 2675S	(D1) 24.2 - 26.2 (615-665)	35.75 (934)
	(D2) 26.3 - 28.3 (668-719)	37.75 (984)
	(D3) 28.4 - 30.4 (721-772)	39.75 (1035)
JMS 2670, JMS 2670S	(D1) 29.2 - 31.2 (742-792)	40.75 (1061)
	(D2) 31.3 - 33.3 (795-846)	42.75 (1111)
	(D3) 33.4 - 35.4 (848-899)	44.75 (1162)

Security Fastener Kit

Jumbo Mounts are assembled with M10 socket head screws. For added security order #ACC 502 penta-pin™ security fastener kit.



SIDE VIEW- JUMBO 2000 WITH TV