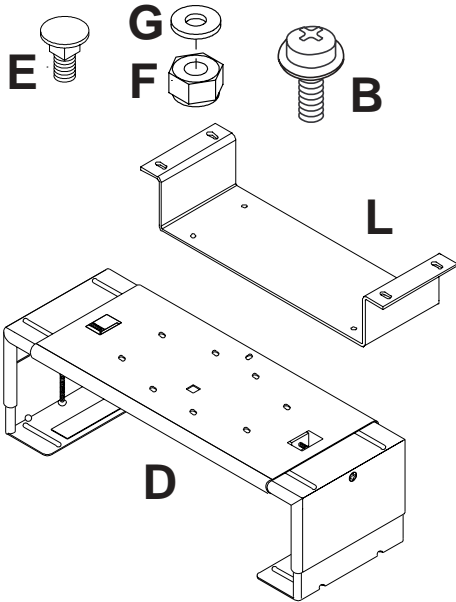


Installation and Assembly - VCR Mount for Jumbo Shelf

Models: VPM 40-N, VPM 40-N-SLV, SVPM 40-N, SVPM 40-N-SLV

MODEL #	INSIDE DIMENSIONS	
	WIDTH (W)	HEIGHT (H)
VPM 40-N, VPM 40-N-SLV, SVPM 40-N, SVPM 40-N-SLV	13.25" - 17.25" (337 mm - 438 mm)	2.69" - 4.5" (68 mm - 114 mm)

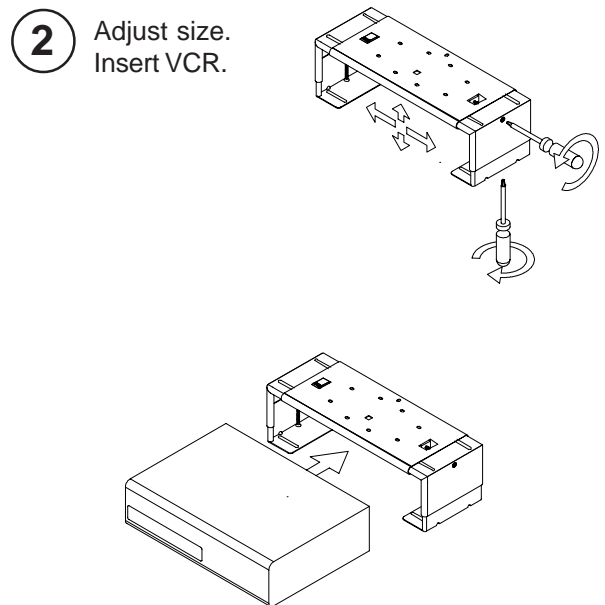
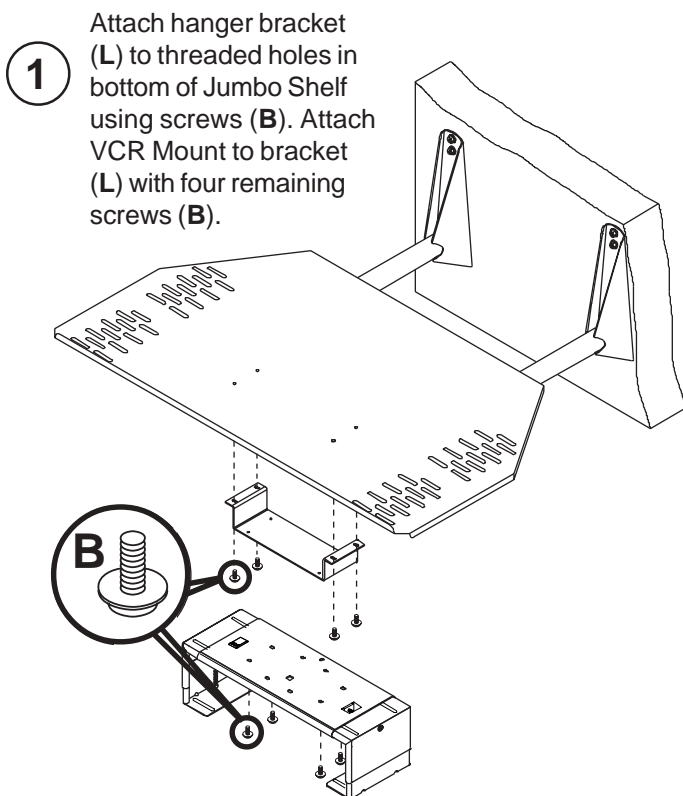


VPM 40-N, VPM 40-N-SLV	SVPM 40-N, SVPM 40-N-SLV	Parts List			
		Description	Qty.	Black Part Number	Silver Part Number
✓	✓	B M5 x .8 x 12 mm phillips screw w/ washer	8	520-1030	520-7030
		C penta-pin tool (not shown)	1	520-9249	520-9249
✓	✓	D VCR bracket	1	—	—
✓	✓	E 10-24 x 1/2 carriage bolt	4	520-9523	520-2104
✓	✓	F 10-24 nylock nut	4	530-9341	530-9342
✓	✓	G #10 SAE flat washer	4	540-9400	540-9442
✓	✓	L hanger bracket	1	103-1001	103-4001

Parts may appear slightly different than illustrated.

Check parts list. Be sure all parts listed are included with your product.

Note: The penta-pin tool is only included with security models (SVPM models)

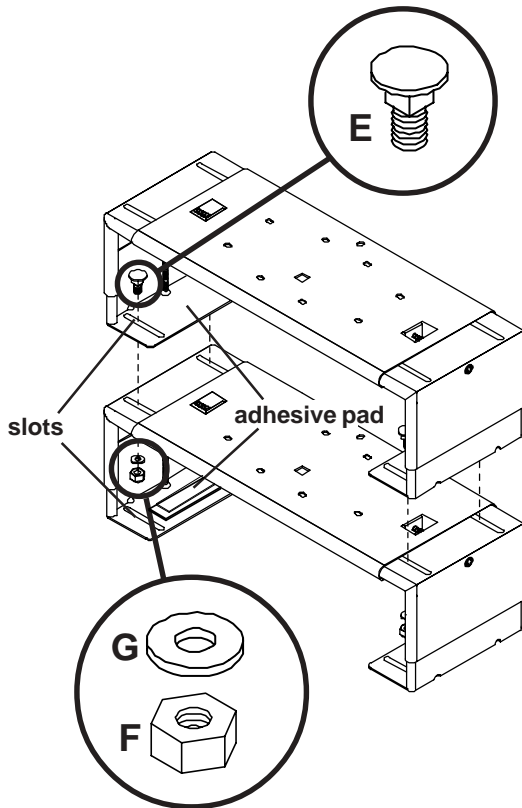


OPTIONAL: If attaching multiple VCR mounts to a TV mount, proceed with step 3 through 5

IMPORTANT! Do not stack more than three VCR Mounts from a single Peerless TV Mount!

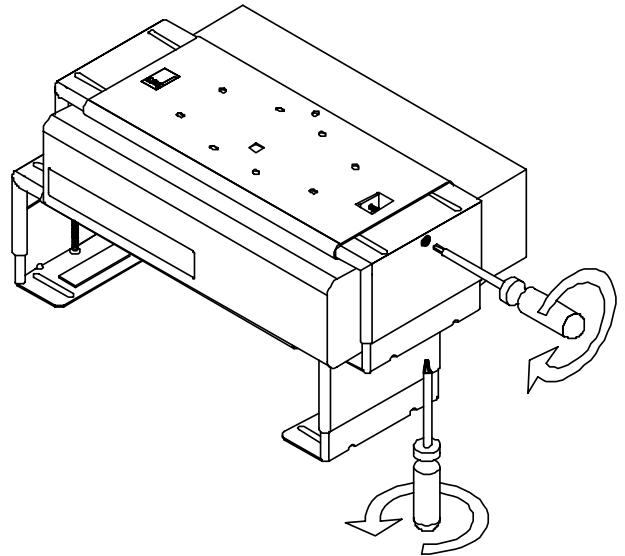
IMPORTANT! Stacked load can not exceed 50 lb.

- 3** Insert four carriage bolts (E) into slots in upper VCR Mount. Attach lower VCR Mount using four nuts (F) and four washers (G). **HAND TIGHTEN ONLY.**
Note: If adhesive pads on VCR Mount are covering slots, trim away excessive pad to expose slots.



- 5** Align front of VCR with front of TV on TV Mount above (TV Mount not pictured). Tighten expansion screws in sides and bottom of VCR Mount to clamp the VCR with a firm, secure grip.
Note: To access the vertical expansion screws located on the bottom of the upper VCR Mount, slide the lower VCR Mount to the side exposing vertical expansion screw. Repeat this step on opposite side of VCR Mount. Center lower VCR Mount and tighten four nuts (F, see step 3) securely.

Expand lower VCR Mount to slightly larger than the height and width of the VCR that it will hold. Insert and clamp lower VCR into lower VCR Mount.



- 4** Insert VCR into upper VCR Mount.

