

UL Listed Designer Series™ wall mounts are the industry standard for contemporary design in TV mounting brackets. These shelf style mounts feature an extremely low profile patented design, that essentially hides the mounting bracket behind the TV or Monitor. The Designer Series wall mounts are ideal for the home, office or any other application where style is important and theft of the TV or Monitor is not a concern. Designed for 27" (63-70 cm) TVs.

Features

Support Tray has three tilt positions (0°, 5°, 10°).

Safety belt included.

Dual swivel feature allows TV to be pointed in almost any direction.

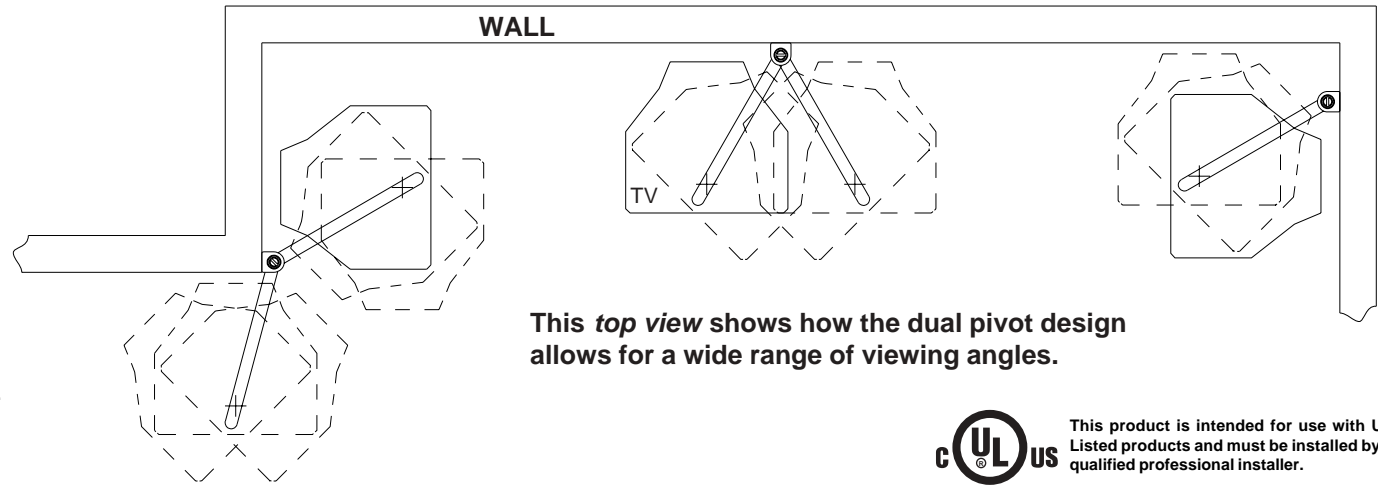
VCR mounting bracket (sold separately) attaches below the support tray.

Attachment hardware for wood stud walls provided.

Accessories

For metal stud wall installations order External Wall Plate for Metal Stud Walls - several models available.

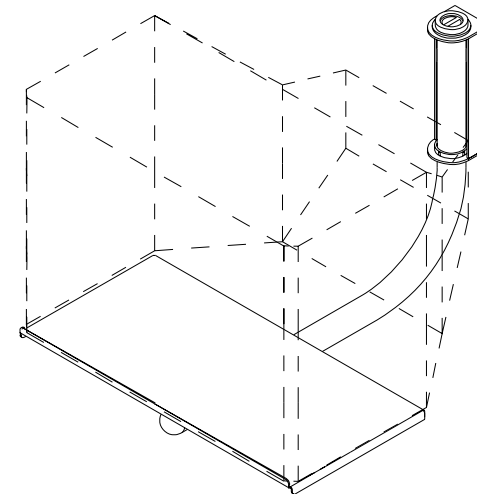
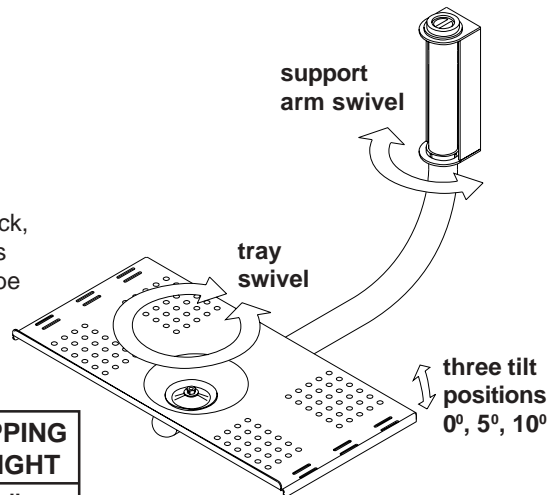
For attachment to a solid concrete, cinder block, or brick wall accessory kit #ACC203 (includes three concrete anchors) is required and can be ordered directly from Peerless.



This top view shows how the dual pivot design allows for a wide range of viewing angles.



This product is intended for use with UL Listed products and must be installed by a qualified professional installer.



Most of the bracket is concealed by the TV resulting in a clean finished assembly.

See opposite side for specific dimensions.

MODEL #	WEIGHT	SHIPPING WEIGHT
DS 27, DS 27-SV, DS 27W	10.0 lbs. (4.54 kg.)	13.0 lbs. (6.00 kg.)

Shipping weight based on single unit shipment. Per unit shipping weight may be less for bulk orders.

Architects Specifications:

The television mount shall be a Peerless model DS_____ and shall be located where indicated on the plans. The finish shall be scratch resistant Black, White, or Silver Fused Epoxy. The point of attachment must be to a wood stud, solid concrete, brick, or concrete block wall. The television mount shall be constructed primarily of heavy gauge cold rolled steel. It shall feature adjustable tilt and dual swivel. Assembly and installation shall be done according to instructions provided by the manufacturer.

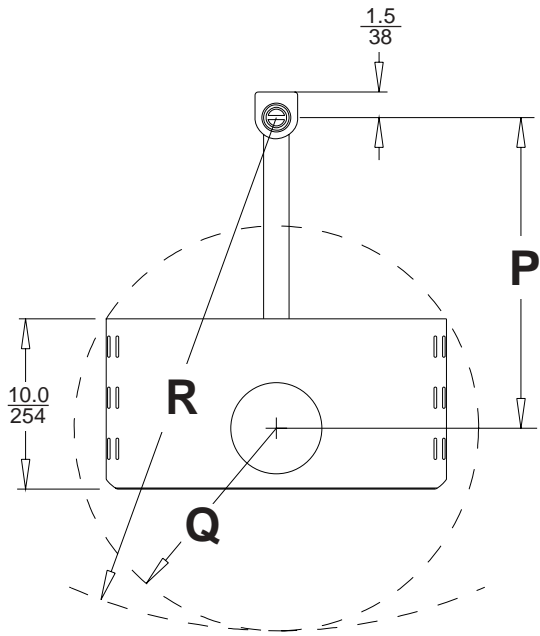
Protected by U.S. Patent no. 5,127,617. Other U.S. and international patents pending.

**TECHNICAL DATA SHEET
DESIGNER SERIES WALL MOUNT**

Peerless Industries, Inc.

3215 W. North Ave.
Melrose Park, IL 60160

phone: (708)865-8870
fax: (708)865-2941

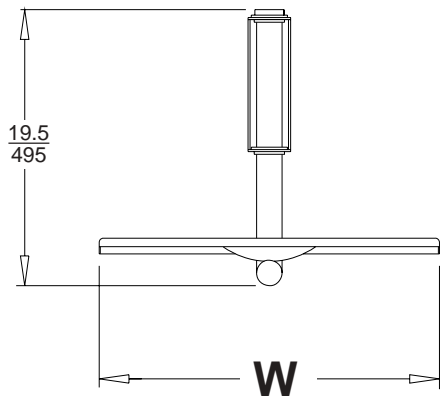


Top View

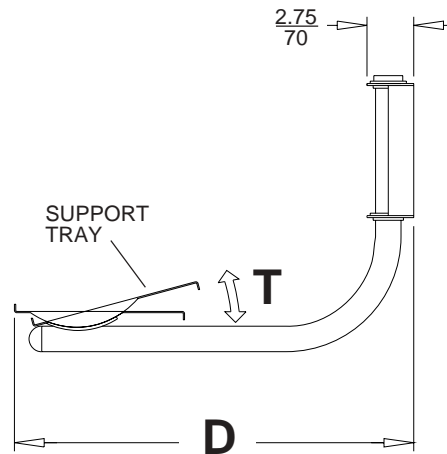
All dimensions: $\frac{\text{inch}}{\text{mm}}$

DIMENSION	MODEL NUMBER
	DS 27, DS 27-SV, DS 27W for 27" (63-70 cm) TVs
W	$\frac{25.0}{635}$ in. mm.
D	$\frac{25.0}{635}$
P	$\frac{19.75}{502}$
Q	$\frac{14}{356}$
R	$\frac{33.75}{857}$
T	0° TO 10° TILT RANGE

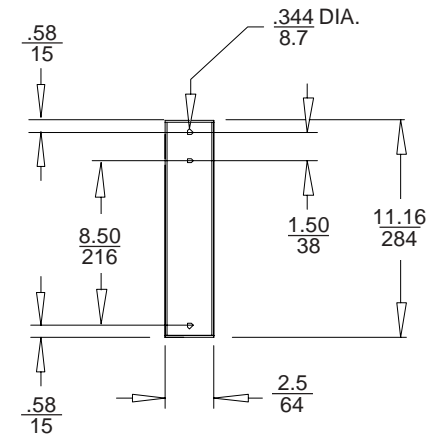
MAX. LOAD CAPACITY:
125 LBS.
(56.70 KG.)



Front View



Side View



Front View
Wall Plate Only