

Installation and Assembly - Sliding Swivels

Models: LSS 375, LSS 530



This product is intended for use with UL Listed products and must be installed by a qualified professional installer.

IMPORTANT! Read entire instruction sheet before you start installation and assembly.

LSS 530	Product is UL rated up to 20" TV, 125 lb
LSS 375	Product is UL rated up to 27" TV, 125 lb

⚠ WARNING

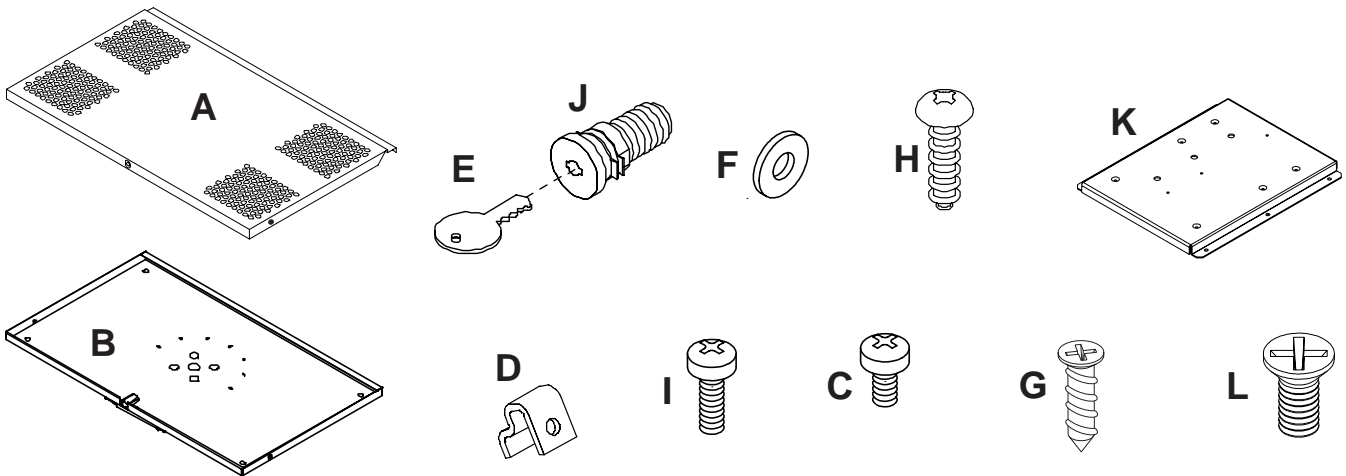
- Furniture to which Slideout unit is attached must be securely attached to an adjacent wall, the floor, or other structural member. The shelf to which the slide out unit is attached must be secured to the cabinet so that the shelf will support a static load of 500 lb (227 kg) when Slideout unit is fully extended.

Notes:

- Spacer bracket (**K**) must be used if slide out unit (**B**) is not mounted with front of tray flush with front of mounting surface.
- Tray on slide out unit (**A**) may be packed in a 90° rotated position. Position the tray so that the front edge is perpendicular to the slide out rails (see step 1 illustrations).

Before you start check the parts list to make sure all parts are included.

	LSS 375	LSS 530		
	PART#	PART#	QTY	DESCRIPTION
A	2245-371	1436-373	1	upper tray
B	059-0146	059-0147	1	slide out unit
C	520-9504	520-9504	2	M5 x .8 x 6 mm phillips screw
D	2245-081	2245-081	4	uni-clip
E	0000-322	0000-322	1	lock key
F	540-9400	540-9400	4	washer
G	520-1076	520-1076	6	# 8 x 3/4" flat head phillips wood screw
H	500-9006	500-9006	4	#10 phillips wood screw
I	520-9250	520-9250	4	M5 x 10 mm phillips screw
J	3022-502	3022-502	1	lock plug
K	059-1144	059-1144	1	spacer bracket
L	520-2007	520-2007	6	#8 x 3/8" flat head phillips screw



1 For attaching to bracket spacer (K)

Attach bracket spacer using six # 8 x 3/4" flat head screws (G) as shown in figure 2.2. Fully extend rails on slide out unit (B). Line up holes (2A) and (2B) (see figure 2.1) in rails with holes in bracket spacer and attach using six #8-32 x 3/8" flat head phillips screws (L) as shown in figure 2.3.

For attaching without bracket spacer (K)

Fully extend rails on slide out unit (B). Use holes (2A) in rails (see figure 2.1) as a guide to mark the two hole centers. Drill two 1/8" (3 mm) dia. holes 3/4" (19 mm) deep into mounting surface. **Note: Make sure that both rails are aligned before drilling.** Attach slide out unit (B) using two # 8 x 3/4" flat head screws (G) as shown in figure 2.3.

After rails are properly adjusted drill four 1/8" (3 mm) dia. holes and screw remaining four #8 screws (G) into holes (2B) in center of rails.

1-1 Set swivel restriction by inserting two screws (C) into swivel restriction holes as shown in figure 2.1.

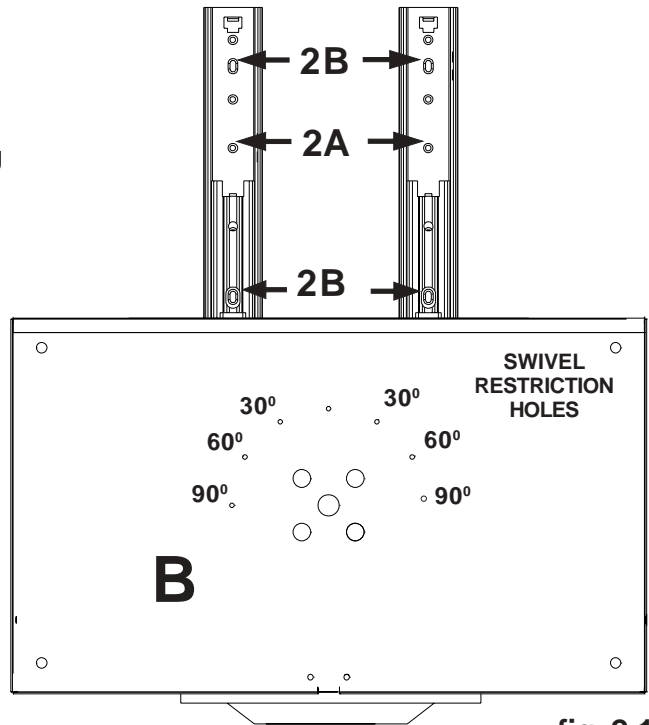


fig. 2.1

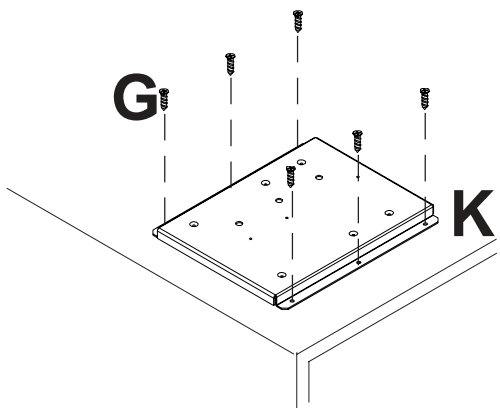
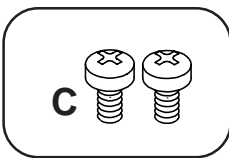


fig. 2.2

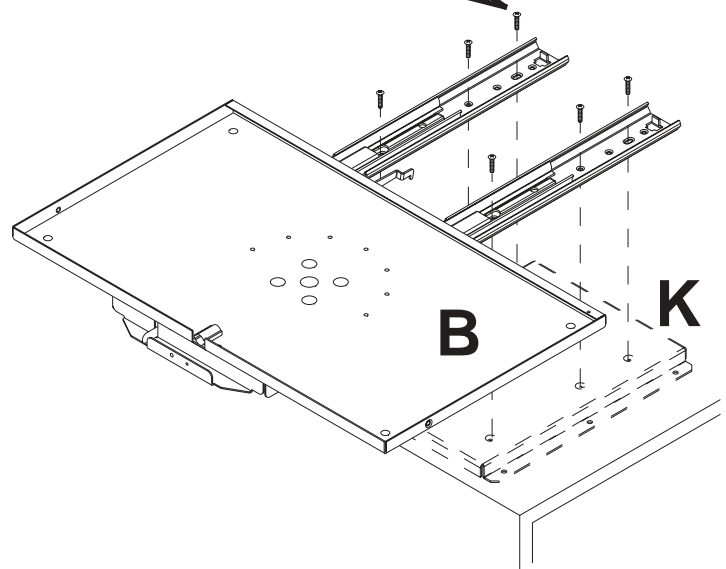
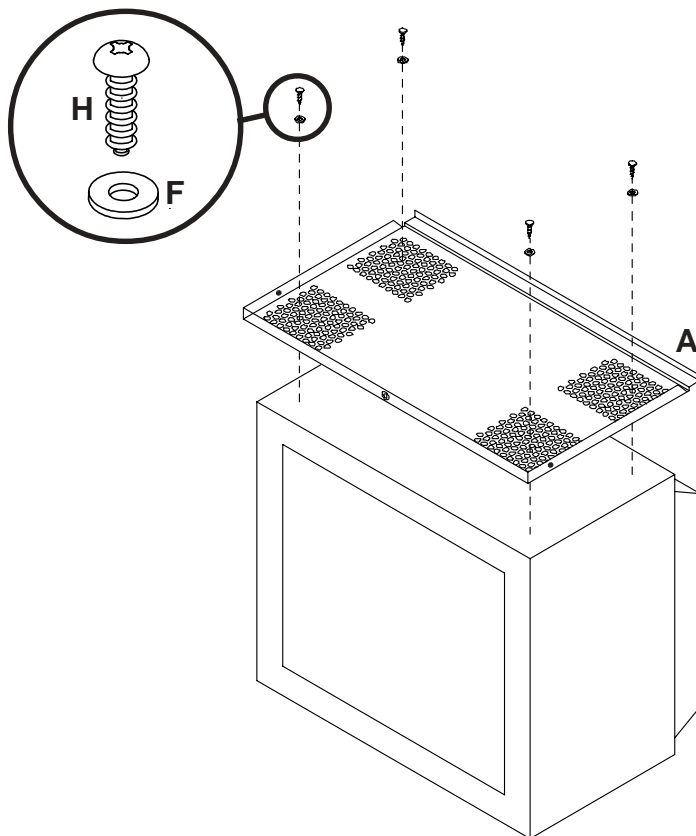


fig. 2.3

- 2 Turn the TV upside down and locate the appropriate mounting holes. Attach upper tray (A) to bottom of TV using four phillips wood screws (H) and washers (F). Attach at four places as close to the four corners of the TV bottom as possible.

Note: If mounting holes are not present or do not line up with holes on upper tray (A), use uni-clips (D) to secure TV onto upper tray (A). A combination of both uni-clips (D) and wood screws (H) may be used. See included uni-clip instruction card.



- 3 Slide TV with upper tray onto lower tray (B) as shown. Use lock key (E) to turn (clockwise) lock plug (J) in lower tray (B). Securely tighten plug - key must be in horizontal position to be removed.

⚠ WARNING

- Always use an assistant or mechanical lifting equipment to safely lift and position the TV or monitor.

