

TECHNICAL DATA SHEET - Jumbo 2000™ Wall Mount



MODELS: JMW 2630, JMW 2630S, JMW 2640, JMW 2640S, JMW 2640D, JMW 2640DS, JMW 2650, JMW 2650S, JMW 2650D, JMW 2650DS, JMW 2655, JMW 2655S



The Jumbo 2000™ Wall Mounts completely surround and trap the monitor in place allowing for safe tilt up to 30°. Quick connect assembly allows upper portion of mount to be set first, then lower bracket lifts into place for easier installation.

Features:

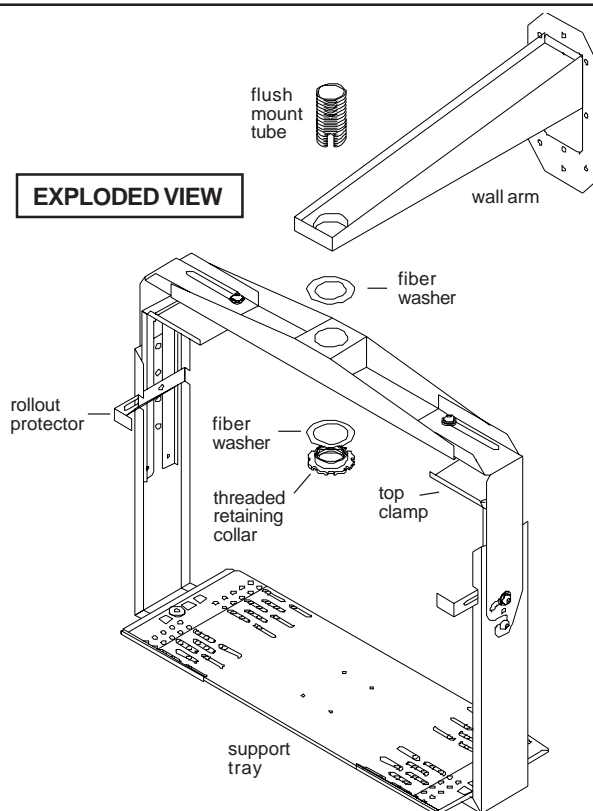
- 0° to 30° adjustable tilt, 360° swivel
- Top and front roll out protection
- Height and width adjustable to exact dimensions of monitor
- Available for 13" to 27" TV's or monitors (check dimensions for compatibility)
- VCR mount can be added after installation
- Includes Wall Arm
- Includes hardware for mounting to wood stud wall
- Heavy gauge steel construction
- Scratch resistant black or silver fused epoxy finish

Accessories:

- Security fasteners model #ACC 502 and #ACC 502S
- Safety belt model #ACC 666
- VCR mounts
- Alligator® concrete anchors model #ACC 204
- Bumper guards model #ACC 103
- Wall support plates
- Video conferencing shelf model #ACC 308 and #ACC 308S
- Power Buddy Hoist model #JMB 100
- Oversized roll out protectors model #ACC 016
- Concrete block wall arm model #WMJ 022CB

Dimensions:

For dimensions and weights, see page 2.



ARCHITECTS SPECIFICATIONS:

The Television Mounting Bracket shall be a Peerless model _____ and shall be mounted where indicated on the plans. It shall feature adjustable height and width with top clamps and rollout protectors. It shall be constructed primarily of 14 gauge cold rolled steel and finished in black or silver fused epoxy. It shall be U.L. Listed. Assembly and installation shall be done according to the instructions provided by the manufacturer.

TECHNICAL DATA SHEET

**MODELS: JMW 2630, JMW 2630S, JMW 2640, JMW 2640S,
JMW 2640D, JMW 2640DS, JMW 2650, JMW 2650S,
JMW 2650D, JMW 2650DS, JMW 2655, JMW 2655S**

Max Load Capacity when attached to wood stud: **125 lb (57 kg)**

ALL DIMENSIONS: INCH
MM

Max Load Capacity when attached to concrete: **150 lb (65 kg)**

JUMBO WALL MOUNT KIT - SPECIFICATIONS						
Product Weight	Shipping Weight	Model Number	BRACKET INSIDE DIMENSIONS		Tray Depth L	Reach R
			Width (W)	Height (H)		
22.5 lb (10.2 kg)	29 lb (13.2 kg)	JMW 2630, JMW 2630S	13.5" - 21" (343 mm) (533 mm)	11.4" - 17.7" (290 mm) (450 mm)	10" (254 mm)	18" (457 mm)
23.2 lb (10.5 kg)	30 lb (13.6 kg)	JMW 2640, JMW 2640S	18" - 26" (457 mm) (660 mm)	14.2" - 20.4" (361 mm) (518 mm)	10" (254 mm)	18" (457 mm)
28.9 lb (13.1 kg)	35 lb (15.9 kg)	JMW 2640D, JMW 2640DS	18" - 26" (457 mm) (660 mm)	14.2" - 20.4" (361 mm) (518 mm)	14" (356 mm)	18" (457 mm)
28.2 lb (12.8 kg)	35 lb (15.9 kg)	JMW 2650, JMW 2650S	24" - 31" (610 mm) (787 mm)	19.2" - 25.4" (488 mm) (645 mm)	10" (254 mm)	22.5" (572 mm)
32.4 lb (15 kg)	39 lb (17.7 kg)	JMW 2650D, JMW 2650DS	24" - 31" (610 mm) (787 mm)	19.2" - 25.4" (488 mm) (645 mm)	14" (356 mm)	22.5" (572 mm)
42.3 lb (19.2 kg)	49 lb (22 kg)	JMW 2655, JMW 2655S	24" - 31" (610 mm) (787 mm)	14.2" - 20.4" (361 mm) (518 mm)	14" (356 mm)	22.5" (572 mm)

JUMBO 2000 CARTON

Shipping Carton dimensions:

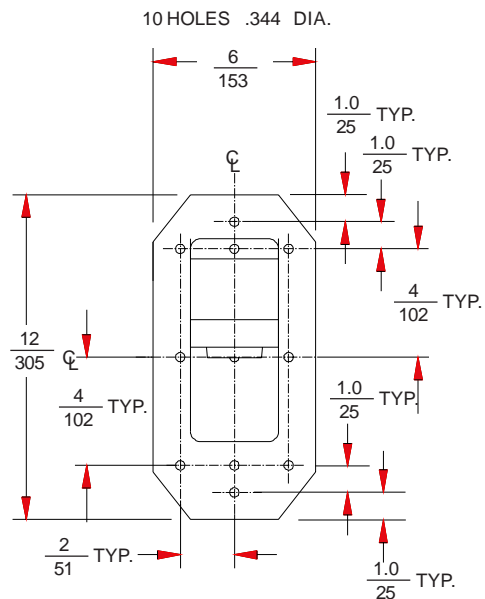
L= 15.75 (400) W= 27.5 (699) H= 9.5 (241)

WALL ARM CARTON

Shipping Carton dimensions:

L= 22.25 (565) W= 13.25 (337) H= 6 (152)

Model Number		Height Range (H)	Overall Drop (D)
JMW 2630, JMW 2630S	(D3)	11.4 - 13.5 (290-343)	25.5 (648)
	(D2)	13.5 - 15.6 (343-396)	27.5 (699)
	(D1)	15.6 - 17.7 (396-450)	29.5 (749)
JMW 2640, JMW 2640S, JMW 2640D, JMW 2640DS, JMW 2655, JMW 2655S	(D3)	14.2 - 16.2 (361-412)	27.25 (692)
	(D2)	16.3 - 18.3 (412-465)	29.25 (743)
	(D1)	18.4 - 20.4 (467-518)	31.25 (794)
JMW 2650D, JMW 2650DS, JMW 2650, JMW 2650S	(D3)	19.2 - 21.2 (488-539)	32.75 (832)
	(D2)	21.3 - 23.3 (541-592)	34.75 (883)
	(D1)	23.4 - 25.4 (594-645)	36.75 (934)



WALL PLATE FRONT VIEW

