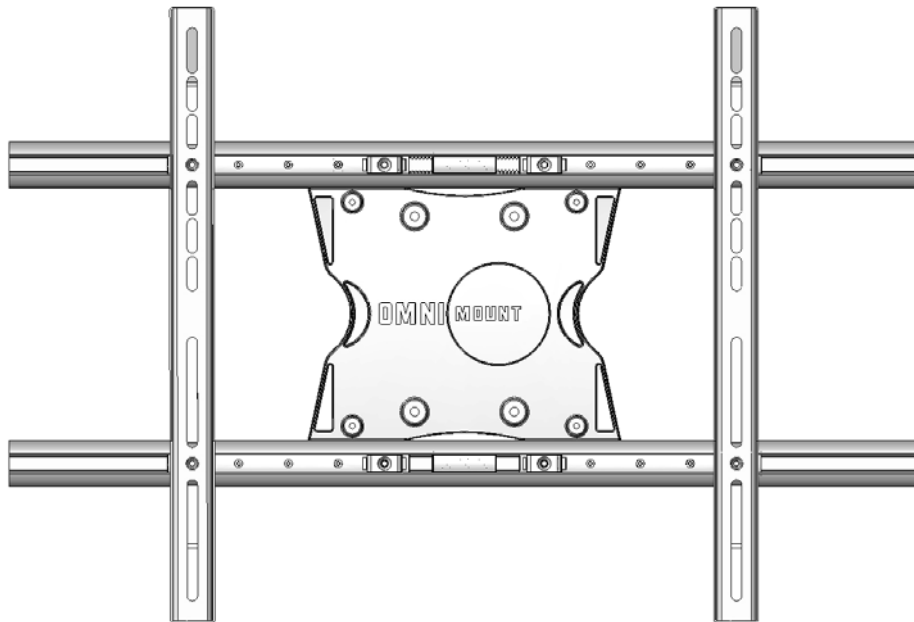




Home Entertainment

Installation Instructions

UAL: Universal Adaptor: Large*



- Fits screens: 26" — 63"
- Maximum weight capacity: 200 lbs. (90.1 Kg)**
- Self-centering design
- Simplified installation
- Includes all mounting hardware

Questions? Call 1-800-MOUNT-IT (USA only)

*This is an adapter plate only. Mount required to attach display to wall. OmniMount recommends the **CL-M, CL-L, CL-X, FP-CL, or Plasma CL**.

**This is only the weight capacity of the UAL Universal Adaptor. Refer to the Mount's weight restriction to determine compliance.

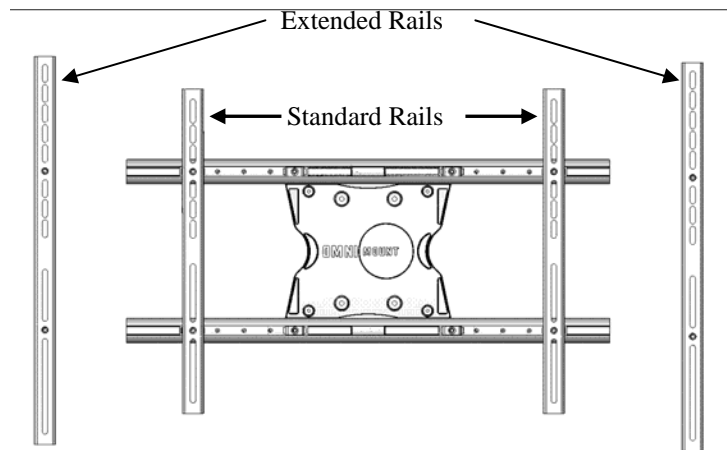
IMPORTANT

- Do not begin the installation of your OmniMount product until you have thoroughly reviewed this document and understand the instructions.
- We highly recommend that this product be installed by a qualified professional.
- **NEVER** exceed the Maximum load capacity of 200 lbs. (90.1 Kg)

Parts List:

A	Philips screws M4 x 16mm, Zinc	4
B	Philips screws M4 x 36mm, Zinc	4
C	Philips screws M4 x 46mm, Zinc	4
D	Philips screws M5 x 16mm, Zinc	4
E	Philips screws M5 x 36mm, Zinc	4
F	Philips screws M5 x 46mm, Zinc	4
G	Philips screws M6 x 16mm, Zinc	4
H	Philips screws M6 x 36mm, Zinc	4
I	Philips screws M6 x 46mm, Zinc	4
J	Philips screws M8 x 16mm, Zinc	4
K	Philips screws M8 x 36mm, Zinc	4
L	Philips screws M8 x 46mm, Zinc	4
M	5/8" spacer	4
N	3/4" spacer	4
O	Square washer(1 1/8" x 1 1/8")	4
P	3/8" Button Head Screw	4

Components:



Step 1—Prepare the Display

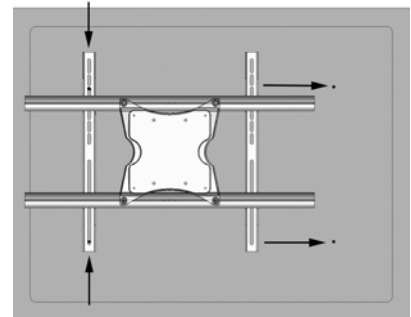
If installed, remove any table top stand from the display. (Refer to the display's owners manual for details.)

Step 2—Configure the UAL Adaptor Plate

The UAL adaptor plate is a truly universal design, and can be attached to a wide range of flat panel display mounting patterns from VESA 200 (200mm x 200mm) all the way out to 24 1/8"H (61 cm) x 33 1/2"W (85 cm). As shipped, the UAL is pre-configured to mount directly to the most common display sizes, using the Standard mounting rails attached to the Outer mounting points, as shown in Fig 1.

The easiest way to check for fit is to simply place the UAL on the back of the display, with one mounting rail aligned with a set of vertical mounting holes. (Fig 1) Then, using the UAL's revolutionary rack and pinion self-centering system, simply slide the other mounting rail in or out until it aligns with the second set of vertical mounting holes. (Fig 1) The UAL should now be horizontally centered on the back of the flat panel display.

Fig. 1

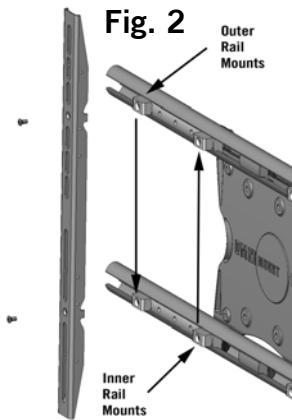


If the mounting rails line up with the mounting holes, proceed to Step 3.
If not, you'll need to modify the adaptor plate.

Modifying the UAL

If the horizontal spacing between the rails needs to be narrowed, attach them to one of the Inner Rail Mounts. (Fig 2)

If the Vertical mounting hole spacing of the Standard mounting rails is not great enough, you will need to install the Extended Rails. Remove the Standard rails and install the Extended Rails. (Fig 2)



Step 3—Select the Mounting Hardware

Consult the supplied Hardware Cross Reference list, and locate the required mounting screws (A-L) for your display

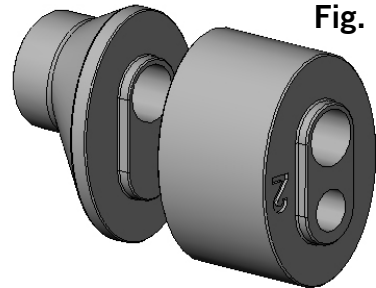
Spacers (Fig 3)

Some displays will require the use of a spacer.

There are two spacers provided:

5/8" (16 mm) round nose spacer (M)

3/4" (19 mm) block spacer (N)



The spacers may be used individually, or may be snapped together to create one large stacked spacer. The spacers have been designed to snap directly into the mounting rail for ease in handling, and also include two different mounting holes to manage the various screw sizes.

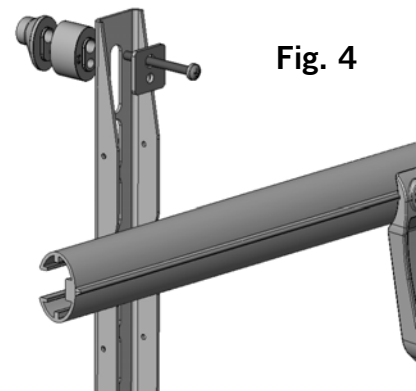
Generally, the 5/8" Spacer (M) is used on displays with slightly curved backs and/or recessed mounting lands. The 3/4" Spacer (N) is used on displays with curved backs, and Stacked Spacers (M&N) will be used on displays with deeply curved backs and/or protruding accessories.

Step 4—Attach the UAL

Place the UAL down on the back of the flat panel display. Align the left mounting rail with the mounting holes on the back of the display. Center the rail vertically over the back of the display, and secure using the selected mounting screws, square washers, and any required spacers. (Fig 4)

Note: Use the segmented mounting slots on the rails as a reference for vertically centering the UAL.

Now slide the opposite mounting rail into position, align it with the mounting holes, and secure with the mounting hardware.

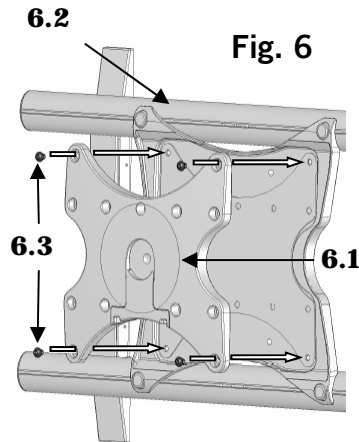
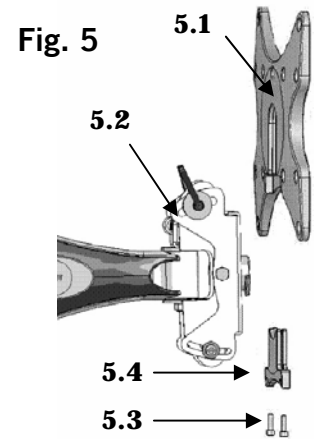


Important

DO NOT over tighten the mounting screws, or the display may be damaged. **NEVER** use a power driver to tighten the mounting screws.

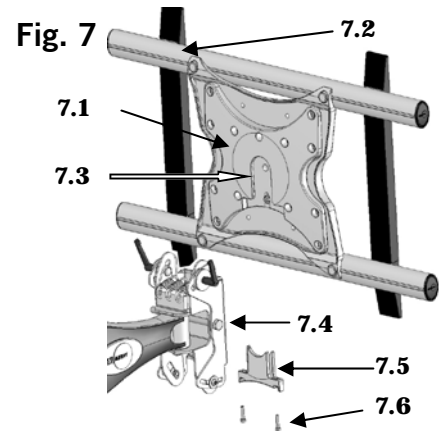
Step 5a—Mounting the Display to CL-M & CL-L

First, you need to remove the Mounting Plate (5.1) from the end of the Mounting Head Assembly (5.2). To do this, use the Small supplied hex wrench to remove the Tension Screws (5.3) from Clamp Plate (5.4), and then slide the Clamp Plate out of the Mounting Head. Set these parts aside for later. Next lift the Mounting Head straight up off the end of the arm assembly. (Fig. 5)



Next, you will need to attach the Mounting Plate (6.1) to the UAL (6.2). Place the Mounting Plate on the UAL in the indented area so it fits snug, and install the 1/4" -20 (6.3) screws (supplied with the CL-M & CL-L) through the four outside holes.

With the Mounting Plate (7.1) securely attached to the UAL (7.2) and Display (not shown), align the Slot on the Mounting Plate (7.3) to the flanges on the Mounting Arm (7.4) and carefully lower the display. While holding the display in position, gently pull the bottom of the display forward to create enough space to insert the Clamp Plate (7.5) and Tension Screws (7.6). (Fig 7)

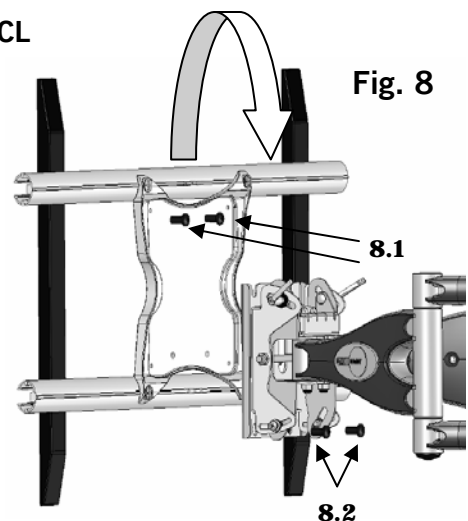


Step 5b—Mounting the Display to CL-X, FP-CL, & Plasma CL

Thread two 3/8"-button head screws (P), approximately a 1/4" (6 mm) into the upper set of threaded holes in the adaptor plate, as shown (8.1)

With the help of an assistant, carefully lift the display and hang it onto the end of the mount by lowering the exposed portion of the screws down into the open key slots on the mounting head of the cantilever, as shown in Fig 8.

With the display hanging on the mount, thread the second set of button head screws into place in the lower threaded holes (8.2), and then securely tighten all four screws with 6mm Hex Wrench.



Step 6—Install Optional Covers

The UAL includes a set of covers that may be installed onto the mounting rails to conceal the mounting hardware.

To install the End Rail Covers simply hook the curved portion of each cover underneath the UAL cross bars and then push down to snap them into place. (Fig. 9)

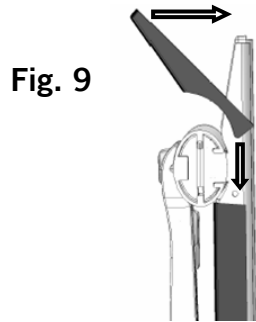


Fig. 9

End caps are also provided to conceal the opening at the end of the UAL. Simply press these into the openings at the end of the cross bars. (fig. 10)

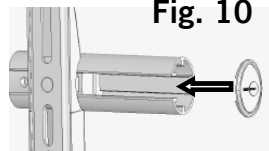


Fig. 10

To install the Center Covers, first place the end of the Center Cover on the rail 2" below the cross bar. Then, slide the Center Cover forward until it touches the cross bar.

(Fig.11) Next, push the raised edge of the Center Cover down until it is firmly pressed against the rail. (Fig. 12)

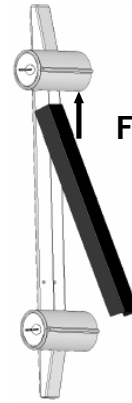


Fig. 11

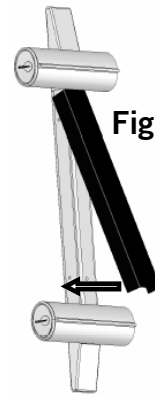


Fig. 12

Thank you for purchasing an OmniMount product.

Specifications are subject to change without prior notice.

Every effort has been made to provide accurate and error-free assembly and installation. OmniMount Systems disclaims liability for any difficulties arising from the interpretation of information contained in these instructions. If OmniMount products are used for purposes other than their original intent, OmniMount, its distributors and retailers shall not be held responsible or liable for injuries or property damage, direct, indirect, or consequential, which may arise from the inability to use this product safely, properly, and in the manner for which it has been designed and manufactured. Warranty does not apply to products which have been lost, damaged by misuse, abuse, or accident.