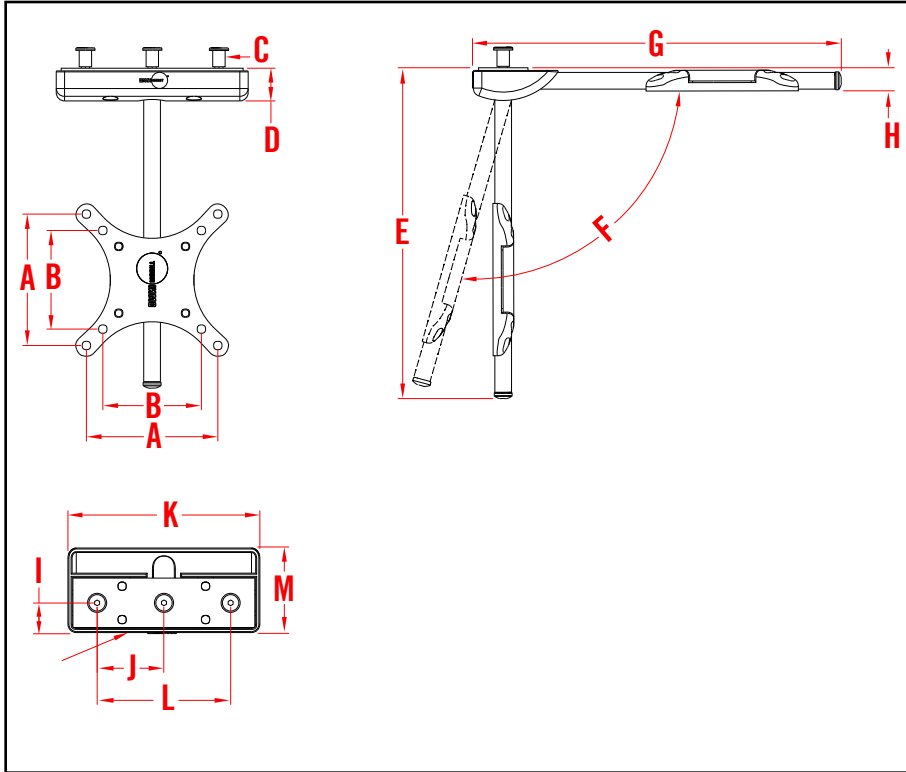




75/100 FD

UNDER CABINET MOUNT



TECHNICAL SPECIFICATIONS		
A	3.94"	100.00mm
B	2.95"	75.00mm
C	.75-1.00"	19.10-25.40mm
D	.98"	24.89mm
E	10.52"	267.21mm
F	105°	
G	11.00"	279.40mm
H	.50"	12.70mm
I	.92"	23.37mm
J	2.00"	50.80mm
K	5.75"	146.05mm
L	4.00"	101.60mm
M	2.56"	65.02mm



Flip down under cabinet/ceiling mount for 12" and smaller LCD panels

- LCDs can be flipped up and stored when not in use
- Provides tilt and swivel for optimum viewing
- Includes complete mounting hardware kit
- VESA compliant 75 to 100
- 40 lb. (18.1 kg) maximum weight capacity

