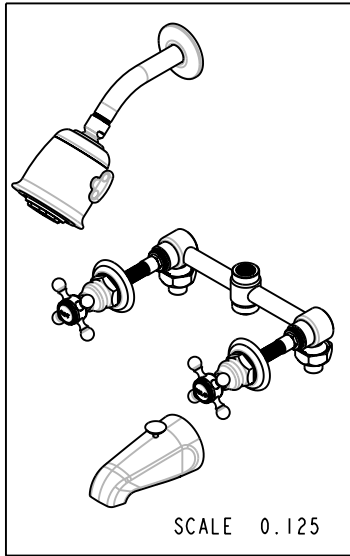
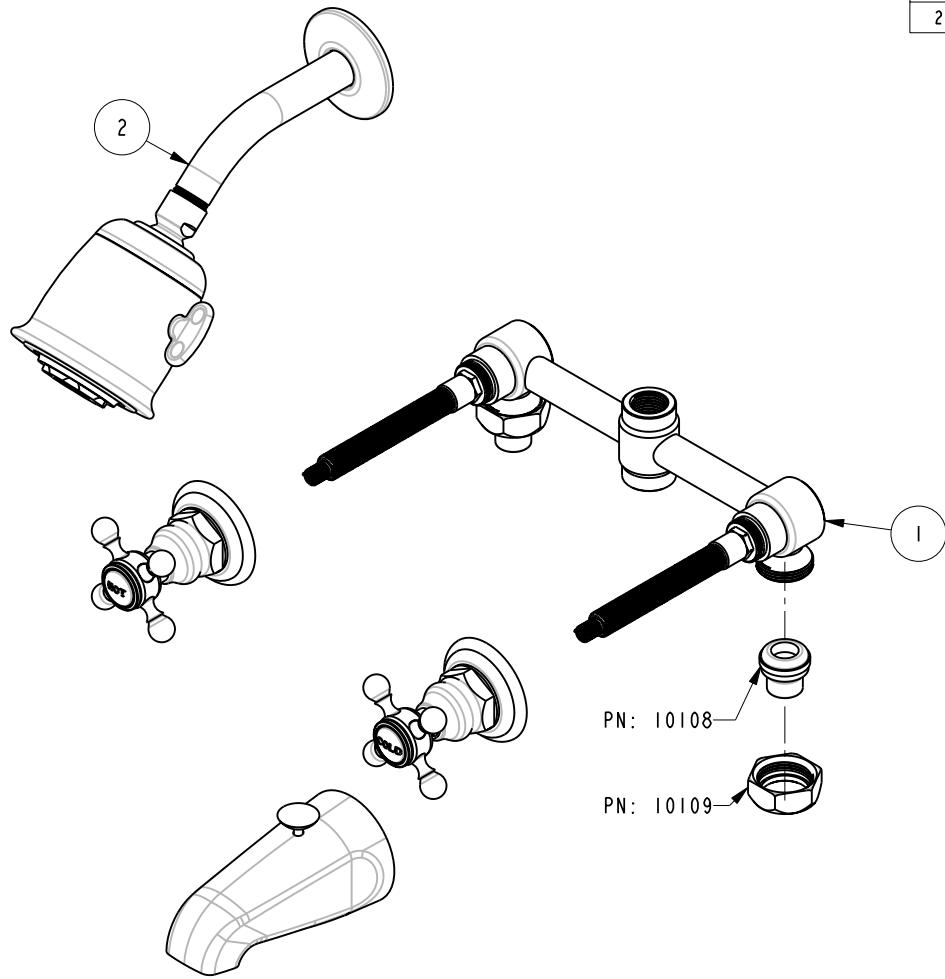


BILL OF MATERIAL (CURRENT LEVEL)				
ITEM	PT/ASSY	DESCRIPTION	TYPE	QTY.
1	1-520	T/S ROUGH W/TWIN ELL	ASSEMBLY	1
2	3-923	TRIM KIT - TUB/SHOWER	ASSEMBLY	1



COPYRIGHT 2005 BRASSTECH, INC. THESE DRAWINGS AND THE DESIGNS DEPICTED HEREIN ARE THE PROPRIETARY PROPERTY OF BRASSTECH. ANY USE OR REPRODUCTION IS SUBJECT TO THE EXPRESS APPROVAL OF BRASSTECH. UNAUTHORIZED USE IS STRICTLY PROHIBITED. ALL RIGHTS RESERVED.

BRASSTECH
INCORPORATED
2001 E. CARNEGIE AVE.
SANTA ANA, CA 92705
(949) 417-5207

TUB/SHOWER W/DIV. SPOUT

ASSY. NO.	923		
SCALE	0.250	REF.	-
SHEET	1	OF	3
REV		REV DESC	
A	EO-0224	07/01/03	
-	RELEASED	PRE '95	
REV	REV DESC	DATE	

4

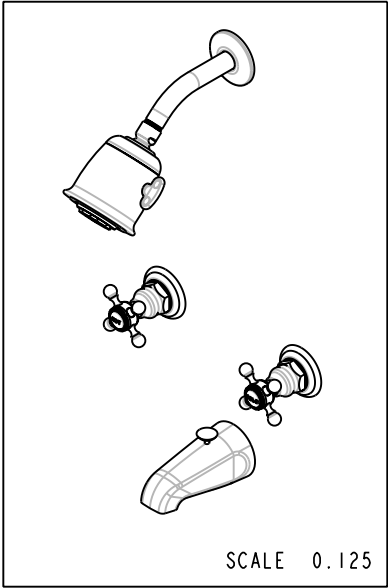
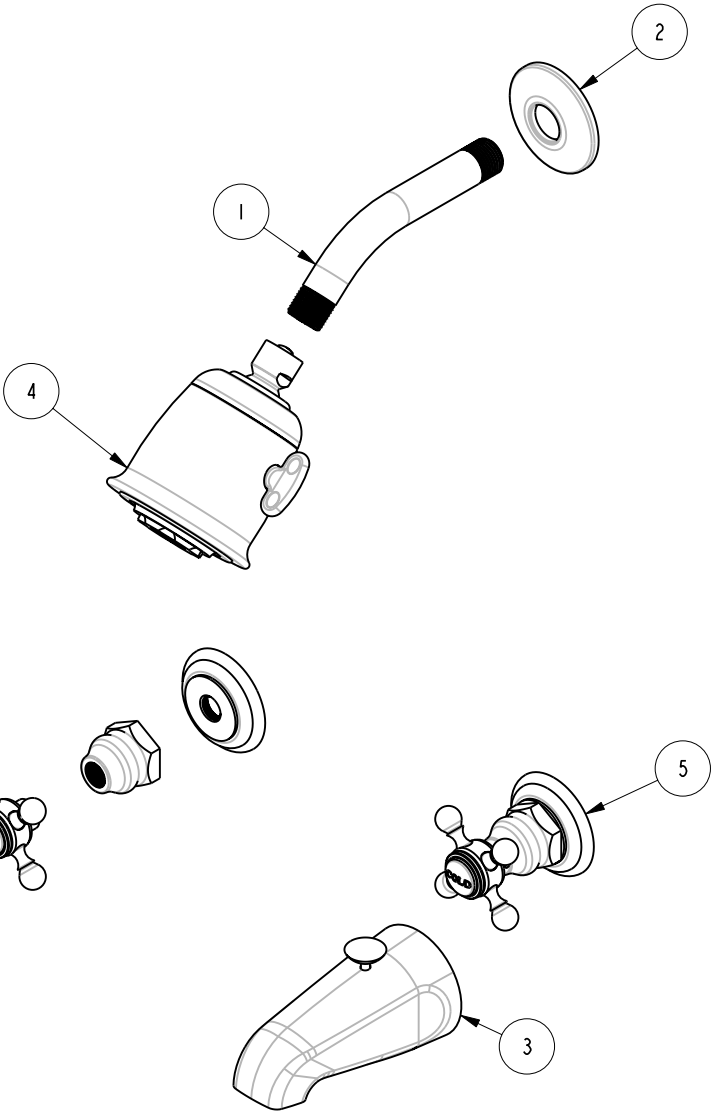
3

2

1

BILL OF MATERIAL (CURRENT LEVEL)

ITEM	PT/ASSY	DESCRIPTION	TYPE	QTY.
1	200	SHOWER ARM 6" BRASS	PART	1
2	206	SHOWER ARM FLANGE 2.5	PART	1
3	221	DIVERTER TUB SPOUT	ASSEMBLY	1
4	2131	BELL SHOWERHEAD	ASSEMBLY	1
5	3-163C	TRIM KIT - HANDLE/ESCUTCHEON	ASSEMBLY	1
6	3-163H	TRIM KIT - HANDLE/ESCUTCHEON	ASSEMBLY	1



COPYRIGHT 2005 BRASSTECH, INC. THESE DRAWINGS AND THE DESIGNS DEPICTED HEREIN ARE THE PROPRIETARY PROPERTY OF BRASSTECH. ANY USE OR REPRODUCTION IS SUBJECT TO THE EXPRESS APPROVAL OF BRASSTECH. UNAUTHORIZED USE IS STRICTLY PROHIBITED. ALL RIGHTS RESERVED.

BRASSTECH
 INCORPORATED
 2001 E. CARNEGIE AVE.
 SANTA ANA, CA 92705
 (949) 417-5207

TRIM KIT - TUB/SHOWER

ASSY. NO.	923	A	EO-0224	07/01/03
SCALE 0.250	REF. -	SHEET 2 OF 3	REV	REV DESC
			DATE	

4

3

2

1

