

4

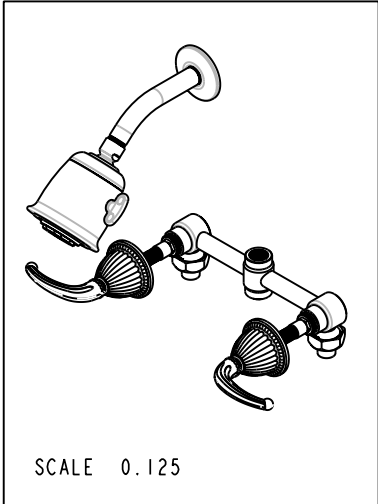
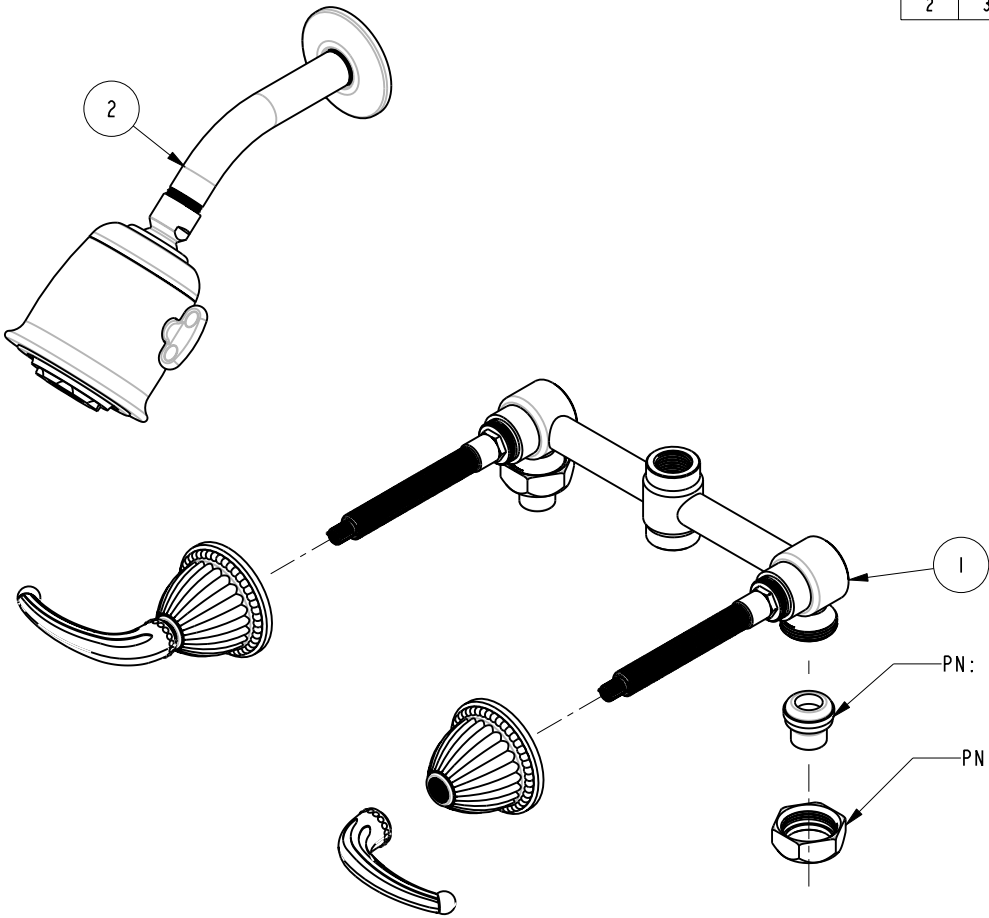
3

2

1

BILL OF MATERIAL (CURRENT LEVEL)

ITEM	PT/ASSY	DESCRIPTION	TYPE	QTY.
1	1-500	T/S 2 - VALVE ROUGH	ASSEMBLY	1
2	3-884	TRIM KIT - SHOWER SET	ASSEMBLY	1



COPYRIGHT 2005 BRASSTECH, INC. THESE DRAWINGS AND THE DESIGNS DEPICTED HEREIN ARE THE PROPRIETARY PROPERTY OF BRASSTECH. ANY USE OR REPRODUCTION IS SUBJECT TO THE EXPRESS APPROVAL OF BRASSTECH. UNAUTHORIZED USE IS STRICTLY PROHIBITED. ALL RIGHTS RESERVED.

BRASSTECH
 INCORPORATED

2001 E. CARNEGIE AVE.
 SANTA ANA, CA 92705
 (949) 417-5207

SHOWER SET

ASSY. NO. 884

SCALE 0.250	REF. -	SHEET 1 OF 3	REV	REV DESC	DATE
-------------	--------	--------------	-----	----------	------

A	EO-0224	07/01/03
-	RELEASED	PRE '95

4

3

2

1

4

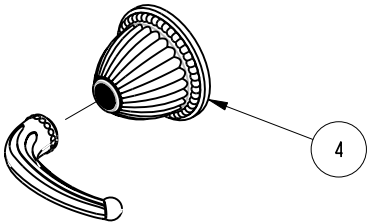
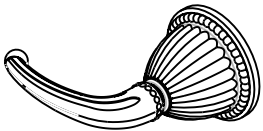
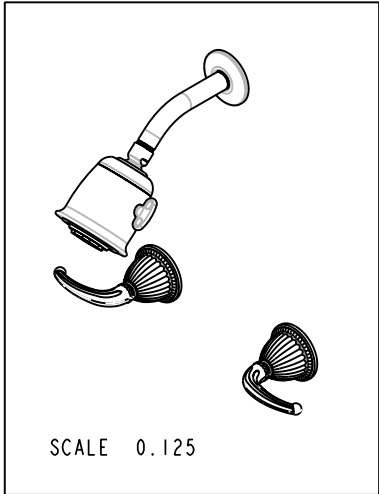
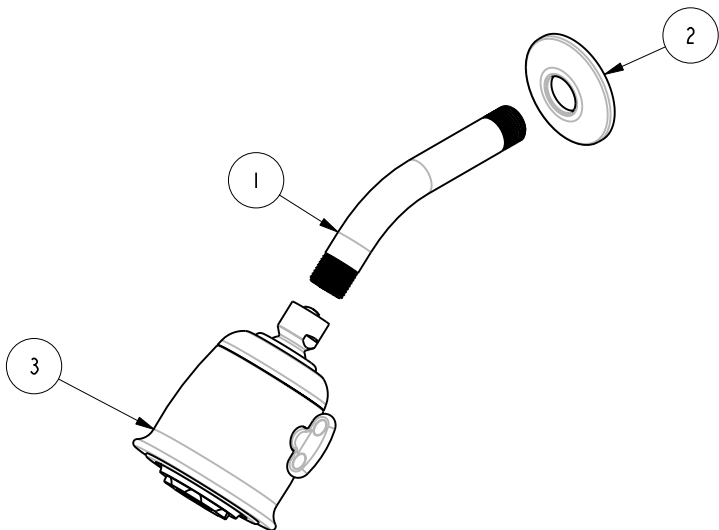
3

2

1

BILL OF MATERIAL (CURRENT LEVEL)

ITEM	PT/ASSY	DESCRIPTION	TYPE	QTY.
1	200	SHOWER ARM 6" BRASS	PART	1
2	206	SHOWER ARM FLANGE 2.5	PART	1
3	2131	BELL SHOWERHEAD	ASSEMBLY	1
4	3-159	TRIM KIT - STOP VALVE	ASSEMBLY	2



COPYRIGHT 2005 BRASSTECH, INC. THESE DRAWINGS AND THE DESIGNS DEPICTED HEREIN ARE THE PROPRIETARY PROPERTY OF BRASSTECH. ANY USE OR REPRODUCTION IS SUBJECT TO THE EXPRESS APPROVAL OF BRASSTECH. UNAUTHORIZED USE IS STRICTLY PROHIBITED. ALL RIGHTS RESERVED.

BRASSTECH
 INCORPORATED
 2001 E. CARNEGIE AVE.
 SANTA ANA, CA 92705
 (949) 417-5207

TRIM KIT - SHOWER SET

ASSY. NO.	884	A	EO-0224	07/01/03
SCALE	0.250	REF.	-	RELEASED
SHEET	2	OF	3	PRE '95
REV		REV	DESC	DATE

4

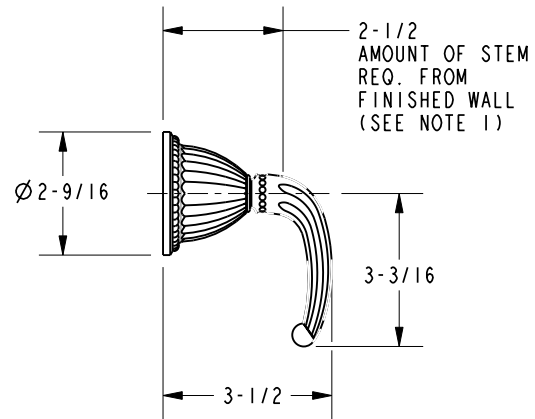
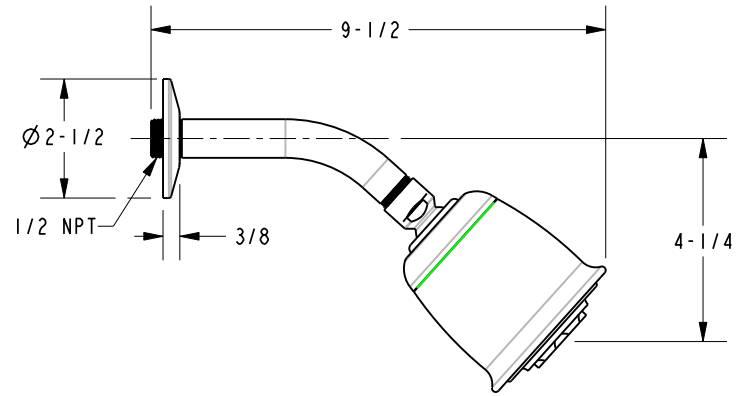
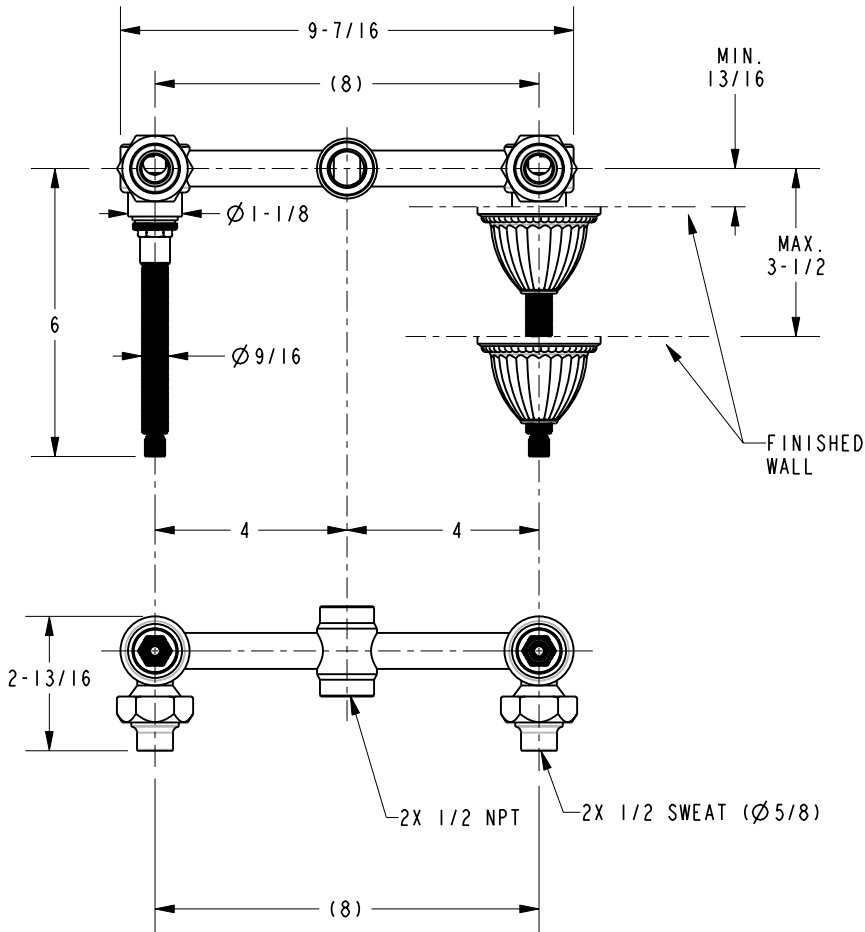
3

2

1

SPECIFICATION DWG

1. CUT ALL-THREAD 1/2"
SHORTER THAN STEM



DIMENSIONS ARE IN INCHES AND AN APPROXIMATION OF A TYPICAL INSTALLATION

COPYRIGHT 2005 BRASSTECH, INC. THESE DRAWINGS AND THE DESIGNS DEPICTED HEREIN ARE THE PROPRIETARY PROPERTY OF BRASSTECH. ANY USE OR REPRODUCTION IS SUBJECT TO THE EXPRESS APPROVAL OF BRASSTECH. UNAUTHORIZED USE IS STRICTLY PROHIBITED. ALL RIGHTS RESERVED.

BRASSTECH		2001 E. CARNEGIE AVE.	
INCORPORATED		SANTA ANA, CA 92705	
		(949) 417-5207	
DWG NO.	884	REV	A
SCALE	0.250	REF.	-
		SHEET	3 OF 3