

1/2" & 3/4" STOP VALVE / VOLUME CONTROL

Installation Instructions

Model No. I-606 and I-607

Recommended Installation by a Professional Plumbing Contractor

Note: Use Teflon tape or equivalent to seal all threaded port joints.

Warning: To prevent severe damage to valve, any solder/braze process must be performed a min. of 4" from ports.

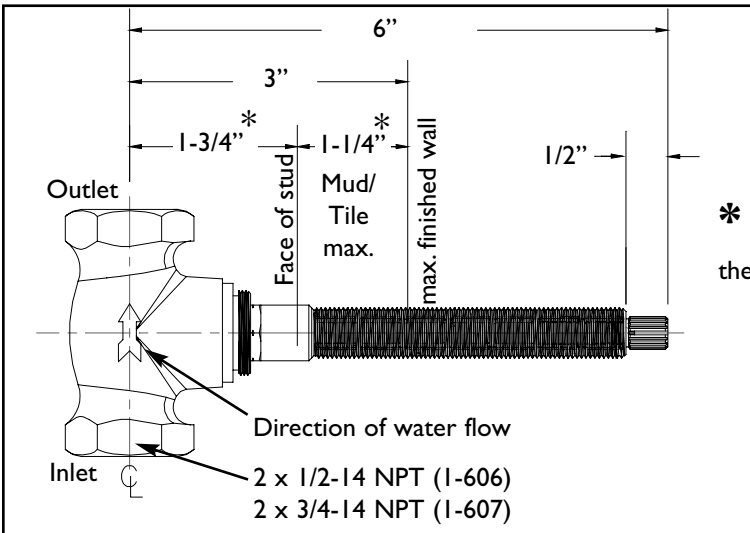
These valves may be used as stop & volume controlling valves between water source and end output device. Typical usage is between thermo valve and multiple output devices (eg. Showerhead, body sprays, handshowers, etc...).

Installing valve:

1. Attach supply source to inlet of valve. Water flow direction is indicated by "ARROW" on side of body.
2. Attach end device to outlet of valve.
3. Position valve in wall as shown below. These dimensions are for typical installations. If thick finished wall materials are to be used in construction, it is recommended that valve is position toward outer face of stud.
4. Support valve and/or piping to stud framing using strap tape or equivalent.
5. Turn on water supply and inspect for leaks.

Installing Trim (after wall is finished):

1. Place escutcheon/bonnet trim on valve.
2. Mark the all-thread where excess needs to be trimmed.
3. Remove escutcheon/bonnet trim and cut all thread nipple 1/16" less than indicated mark (prevents exposure of thread ends).
4. Cut cartridge stem 1/2" past end of all-thread nipple (stem is grooved at 1/2" intervals).
5. Reinstall escutcheon/bonnet trim and handle.
6. Secure handle into place by tightening handle setscrews.



* If finished wall material is thicker than "Mud/Tile max." stated, then the "Face of stud" dimension must be less than shown.

