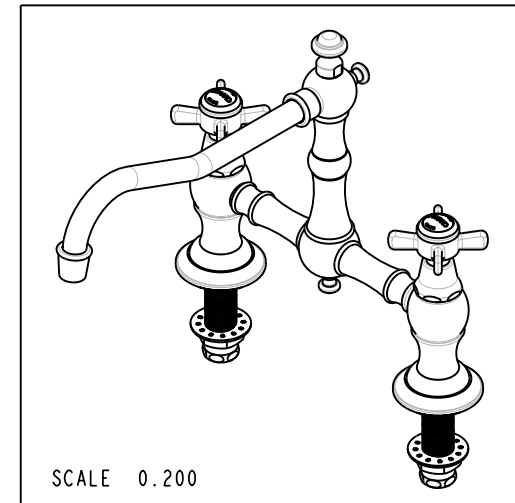


BILL OF MATERIAL (CURRENT LEVEL)

ITEM	PT/ASSY	DESCRIPTION	TYPE	QTY.
1	10331	BONNET FOR 933, 934	PART	2
2	10318	FINIAL, NUT	PART	1
3	3-301	KITCHEN BODY ASSY	ASSEMBLY	1
4	3-299	KITCHEN SPOUT ASSY	ASSEMBLY	1
5	1-031	MOUNTING HARDWARE C/S BAR	ASSEMBLY	1
6	2-115	THIN BLADE X - HANDLE COLD	ASSEMBLY	1
7	2-114	THIN BLADE X - HANDLE HOT	ASSEMBLY	1
8	91012	WASHER DLR	PART	1



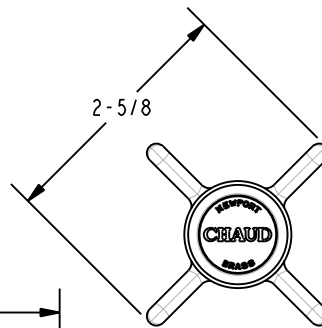
COPYRIGHT 2005 BRASSTECH, INC. THESE DRAWINGS AND THE DESIGNS DEPICTED HEREIN ARE THE PROPRIETARY PROPERTY OF BRASSTECH. ANY USE OR REPRODUCTION IS SUBJECT TO THE EXPRESS APPROVAL OF BRASSTECH. UNAUTHORIZED USE IS STRICTLY PROHIBITED. ALL RIGHTS RESERVED.

BRASSTECH
INCORPORATED
2001 E. CARNEGIE AVE.
SANTA ANA, CA 92705
(949) 417-5207

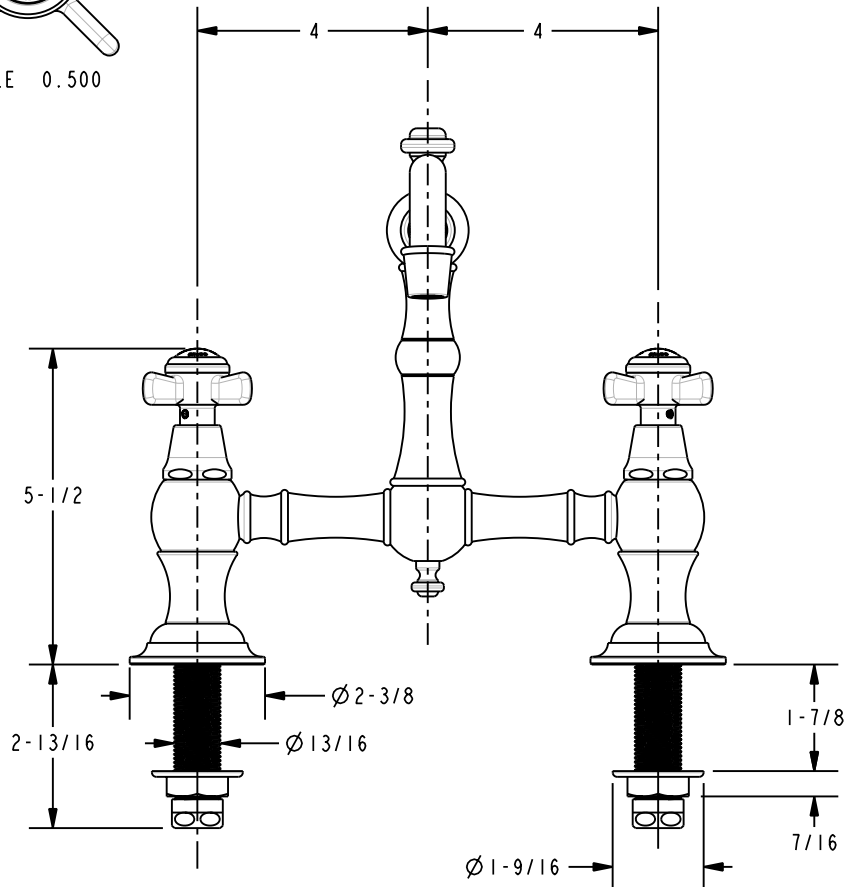
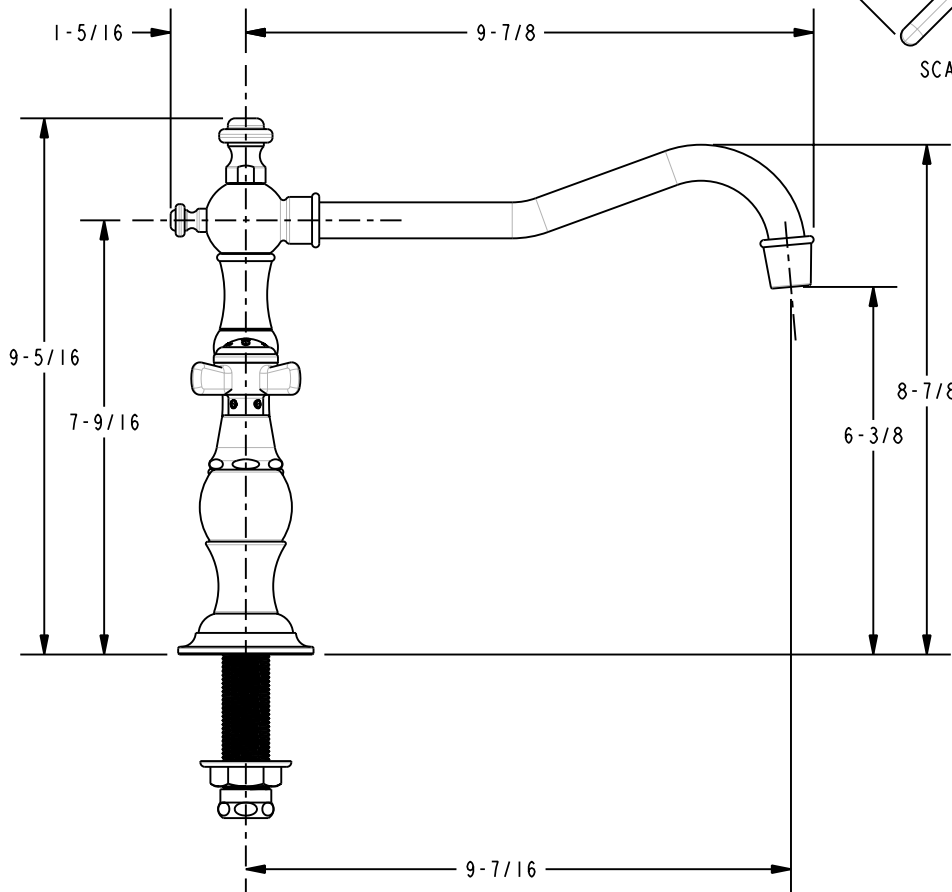
KITCHEN DECK FAUCET

ASSY. NO.	945		B	EO-0514	06/02/05
SCALE 0.300	REF. -	SHEET 1 OF 2	A	-	-
			-	RELEASE	-
			REV	REV DESC	DATE

SPECIFICATION DWG



SCALE 0.500



DIMENSIONS ARE IN INCHES AND AN APPROXIMATION OF A TYPICAL INSTALLATION

COPYRIGHT 2005 BRASSTECH, INC. THESE DRAWINGS AND THE DESIGNS DEPICTED HEREIN ARE THE PROPRIETARY PROPERTY OF BRASSTECH. ANY USE OR REPRODUCTION IS SUBJECT TO THE EXPRESS APPROVAL OF BRASSTECH. UNAUTHORIZED USE IS STRICTLY PROHIBITED. ALL RIGHTS RESERVED.

BRASSTECH		2001 E. CARNEGIE AVE.	
INCORPORATED		SANTA ANA, CA 92705	
DWG NO. 945		REV B	
SCALE 0.300	REF. -	SHEET 2 OF 2	