

4

3

2

1

D

D

C

C

B

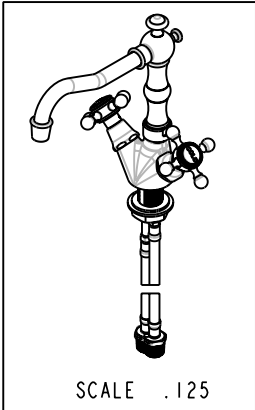
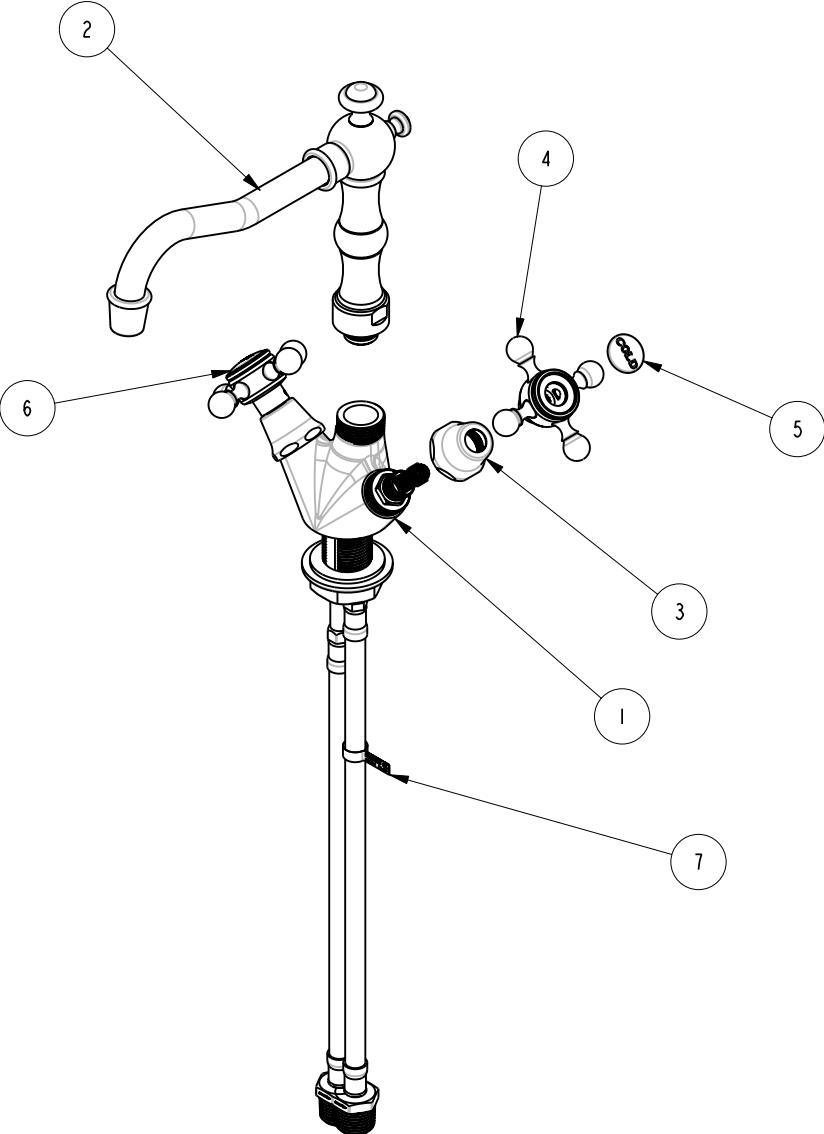
B

A

A

BILL OF MATERIAL (CURRENT LEVEL)

ITEM	PT/ASSY	DESCRIPTION	TYPE	QTY.
1	2-187	SINGLE HOLE CROSS BAR ASSEMBLY	ASSEMBLY	1
2	3-184	SPOUT ASM - 932, 938	ASSEMBLY	1
3	10331	BONNET FOR 933, 934	PART	2
4	2-173	CROSS HANDLE ASSEMBLY W/O BUTTON	ASSEMBLY	2
5	1-107	COLD BUTTON ASSEMBLY W/ ADHESIVE	ASSEMBLY	1
6	1-108	HOT BUTTON ASSEMBLY W/ ADHESIVE	ASSEMBLY	1
7	98037	STICKER LABEL A112.18.1	PART	1



COPYRIGHT 2005 BRASSTECH, INC. THESE DRAWINGS AND THE DESIGNS DEPICTED HEREIN ARE THE PROPRIETARY PROPERTY OF BRASSTECH. ANY USE OR REPRODUCTION IS SUBJECT TO THE EXPRESS APPROVAL OF BRASSTECH. UNAUTHORIZED USE IS STRICTLY PROHIBITED. ALL RIGHTS RESERVED.

BRASSTECH
 INCORPORATED
 2001 E. CARNEGIE AVE.
 SANTA ANA, CA 92705
 (949) 417-5207

BAR FAUCET

ASSY. NO.		938			
SCALE .250	REF. -	SHEET 1 OF 2	REV	REV DESC	DATE
				RELEASED	1/96

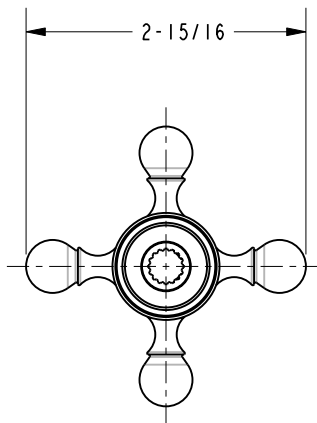
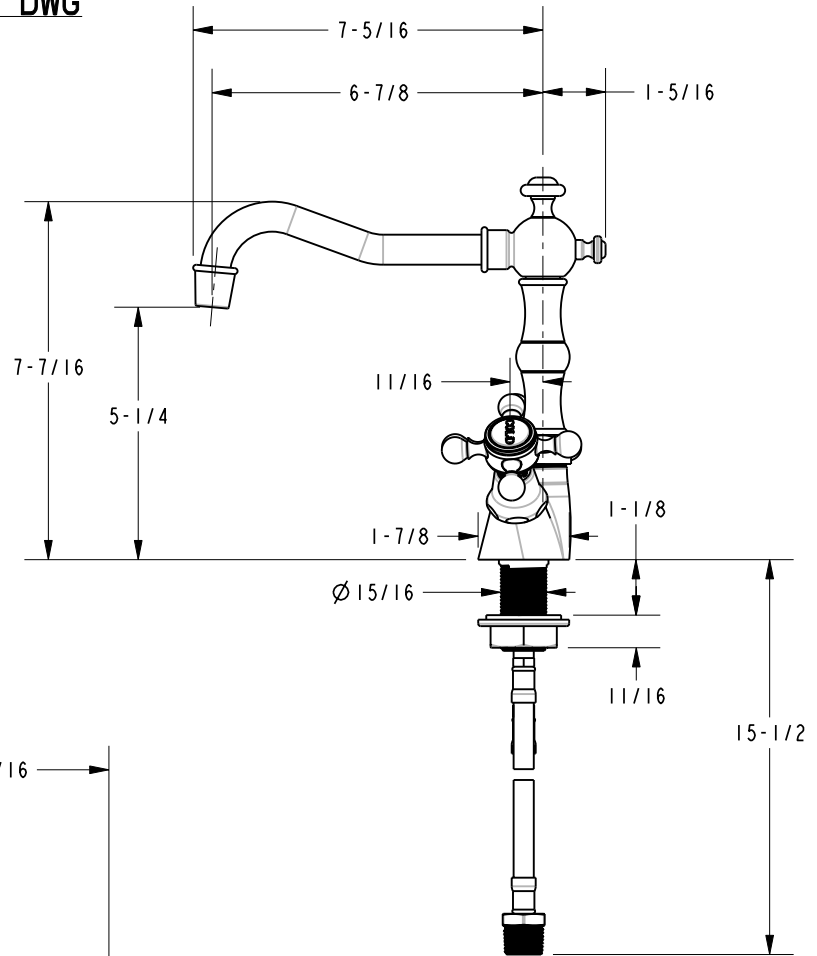
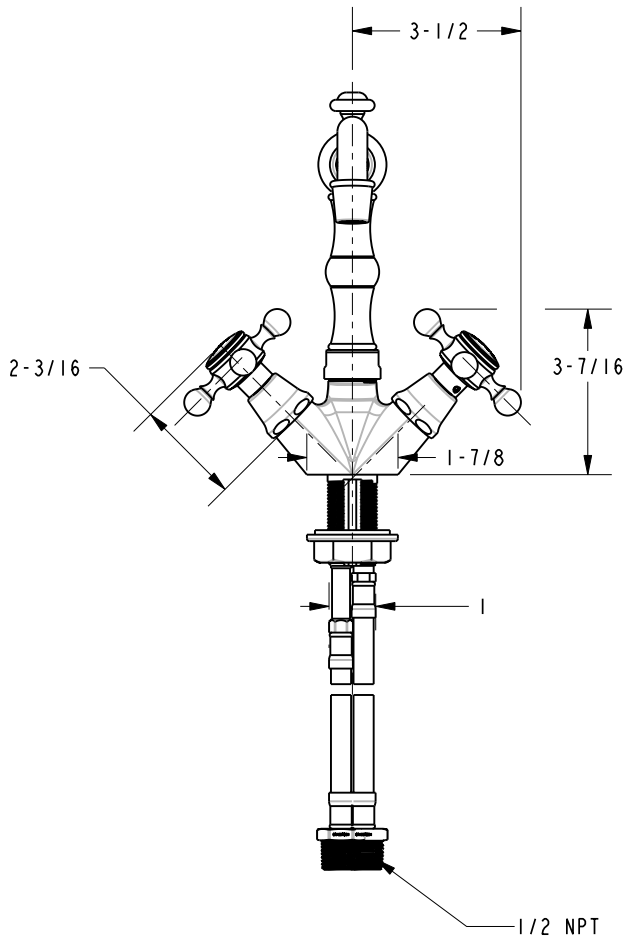
4

3

2

1

SPECIFICATION DWG



SCALE .500

DIMENSIONS ARE IN INCHES AND AN APPROXIMATION OF A TYPICAL INSTALLATION

COPYRIGHT 2005 BRASSTECH, INC. THESE DRAWINGS AND THE DESIGNS DEPICTED HEREIN ARE THE PROPRIETARY PROPERTY OF BRASSTECH. ANY USE OR REPRODUCTION IS SUBJECT TO THE EXPRESS APPROVAL OF BRASSTECH. UNAUTHORIZED USE IS STRICTLY PROHIBITED. ALL RIGHTS RESERVED.

BRASSTECH		2001 E. CARNEGIE AVE. SANTA ANA, CA 92705 (949) 417-5207	
INCORPORATED			
DWG NO.	938	REV	-
SCALE	.250	REF.	-
		SHEET	2 OF 2