

4

3

2

1

D

D

C

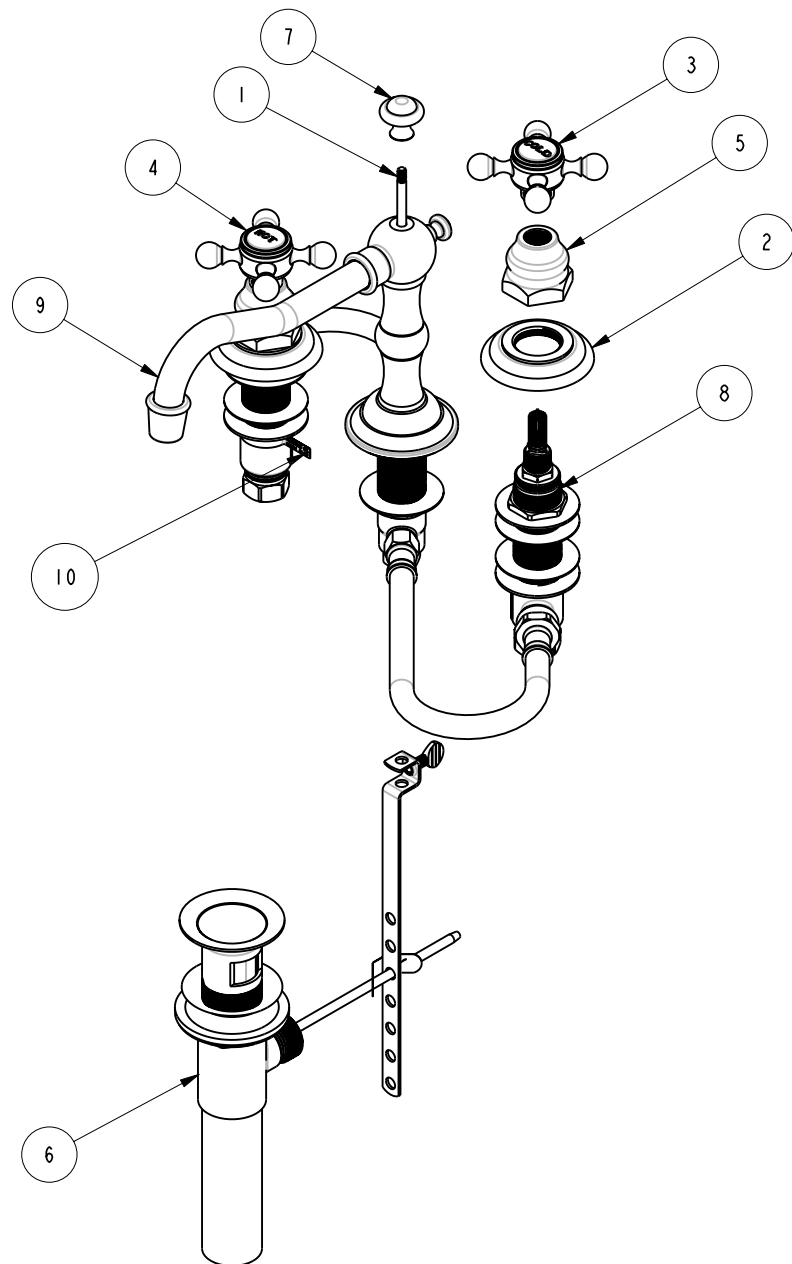
C

B

B

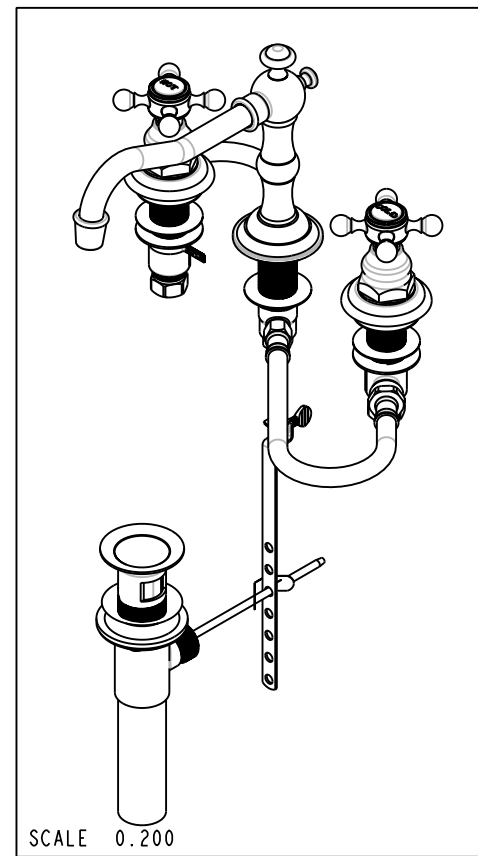
A

A



BILL OF MATERIAL (CURRENT LEVEL)

ITEM	PT/ASSY	DESCRIPTION	TYPE	QTY.
1	10288	3/16" POP UP ROD	PART	1
2	10048	ESCUTCHEON W/S VALVE	PART	2
3	2-142	HANDLE ONLY, COLD	ASSEMBLY	1
4	2-141	HANDLE ONLY, HOT	ASSEMBLY	1
5	10523	HEX ESCUTCHEON BONNET	PART	2
6	325	POP UP ASSEMBLY	ASSEMBLY	1
7	10289	POP-UP KNOB	PART	1
8	1-525	W/S VALVE INSTALLATION	ASSEMBLY	1
9	3-168	WIDE SPREAD SPOUT ONLY	ASSEMBLY	1
10	98037	STICKER LABEL A112.18.1	PART	1



SCALE 0.200

COPYRIGHT 2005 BRASSTECH, INC. THESE DRAWINGS AND THE DESIGNS DEPICTED HEREIN ARE THE PROPRIETARY PROPERTY OF BRASSTECH. ANY USE OR REPRODUCTION IS SUBJECT TO THE EXPRESS APPROVAL OF BRASSTECH. UNAUTHORIZED USE IS STRICTLY PROHIBITED. ALL RIGHTS RESERVED.

BRASSTECH
 INCORPORATED
 2001 E. CARNEGIE AVE.
 SANTA ANA, CA 92705
 (949) 417-5207

WIDESPREAD FAUCET

ASSY. NO. 930

SCALE 0.250

REF. -

SHEET 1 OF 2

B	EO-0634	01/06/06
A	NEW BONNET	06/96
-	RELEASED	PRE '95
REV	REV DESC	DATE

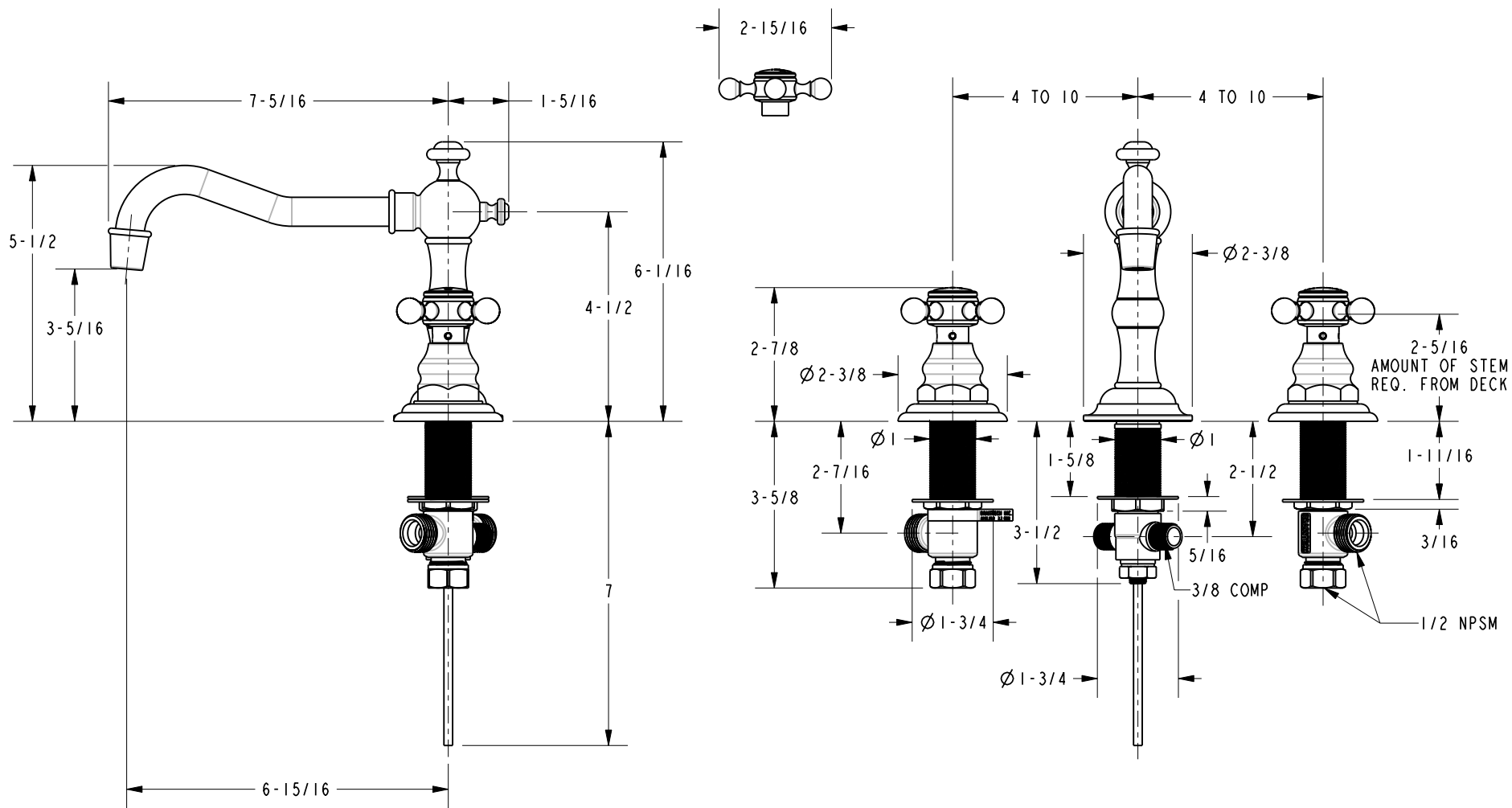
4

3

2

1

SPECIFICATION DWG



DIMENSIONS ARE IN INCHES AND AN APPROXIMATION OF A TYPICAL INSTALLATION

COPYRIGHT 2005 BRASSTECH, INC. THESE DRAWINGS AND THE DESIGNS DEPICTED HEREIN ARE THE PROPRIETARY PROPERTY OF BRASSTECH. ANY USE OR REPRODUCTION IS SUBJECT TO THE EXPRESS APPROVAL OF BRASSTECH. UNAUTHORIZED USE IS STRICTLY PROHIBITED. ALL RIGHTS RESERVED.

BRASSTECH		2001 E. CARNEGIE AVE.	
INCORPORATED		SANTA ANA, CA 92705	
		(949) 417-5207	
DWG NO.	930	REV	B
SCALE	0.300	REF.	-
		SHEET	2 OF 2