

4

3

2

1

D

C

B

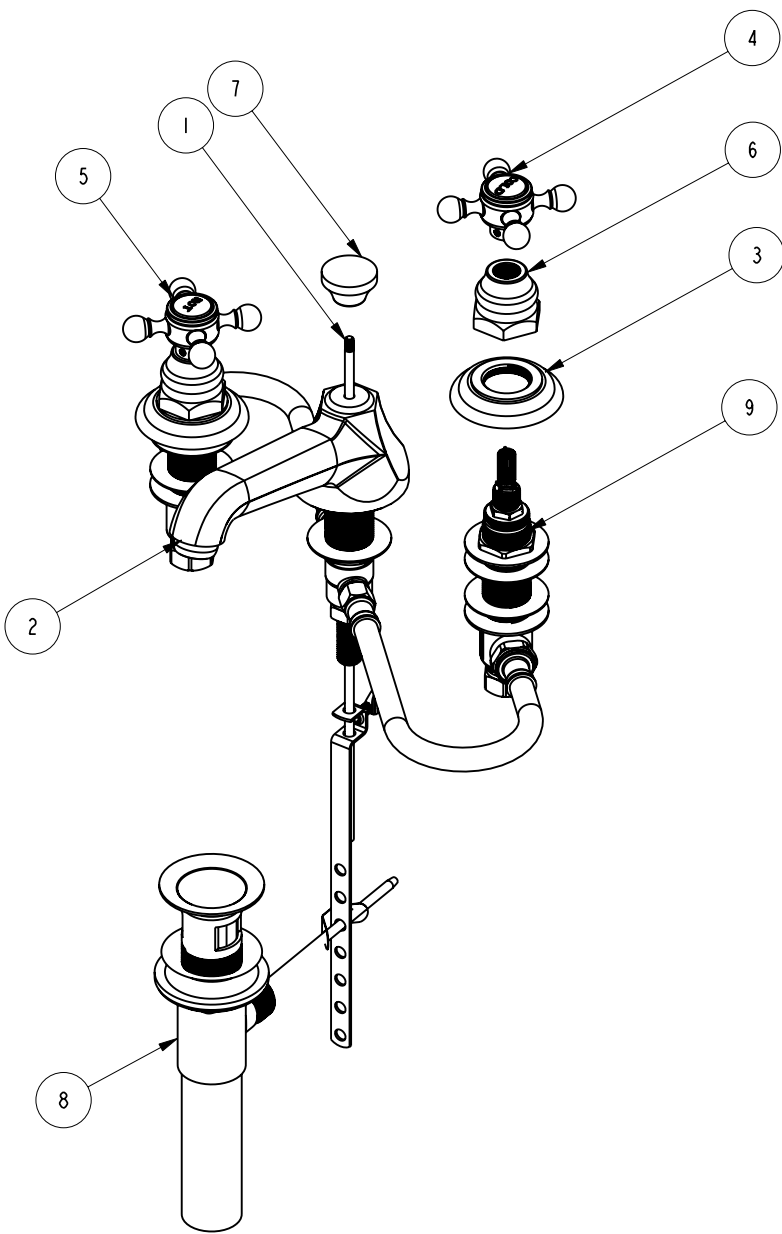
A

D

C

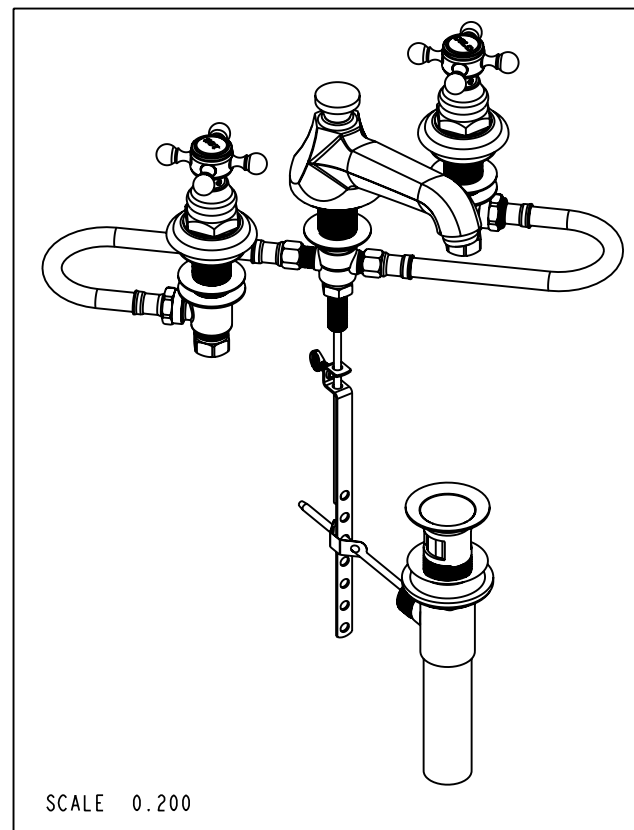
B

A



BILL OF MATERIAL (CURRENT LEVEL)

ITEM	PT/ASSY	DESCRIPTION	TYPE	QTY.
1	10288	3/16" POP UP ROD	PART	1
2	3-164	ASSY, SPOUT	ASSEMBLY	1
3	10048	ESCUTCHEON W/S VALVE	PART	2
4	2-142	HANDLE ONLY, COLD	ASSEMBLY	1
5	2-141	HANDLE ONLY, HOT	ASSEMBLY	1
6	10523	HEX ESCUTCHEON BONNET	PART	2
7	10961	SMOOTH POP - UP KNOB	PART	1
8	325	POP UP ASSEMBLY	ASSEMBLY	1
9	1-525	W/S VALVE INSTALLATION	ASSEMBLY	1



COPYRIGHT 2005 BRASSTECH, INC. THESE DRAWINGS AND THE DESIGNS DEPICTED HEREIN ARE THE PROPRIETARY PROPERTY OF BRASSTECH. ANY USE OR REPRODUCTION IS SUBJECT TO THE EXPRESS APPROVAL OF BRASSTECH. UNAUTHORIZED USE IS STRICTLY PROHIBITED. ALL RIGHTS RESERVED.

BRASSTECH
INCORPORATED

2001 E. CARNEGIE AVE.
SANTA ANA, CA 92705
(949) 417-5207

TOP ASSY, FAUCET, WIDESPREAD

ASSY. NO. **920**

SCALE 0.250

REF. -

SHEET 1 OF 2

A	EO-0818	03/30/07
-	RELEASED	PRE '95
REV	REV DESC	DATE

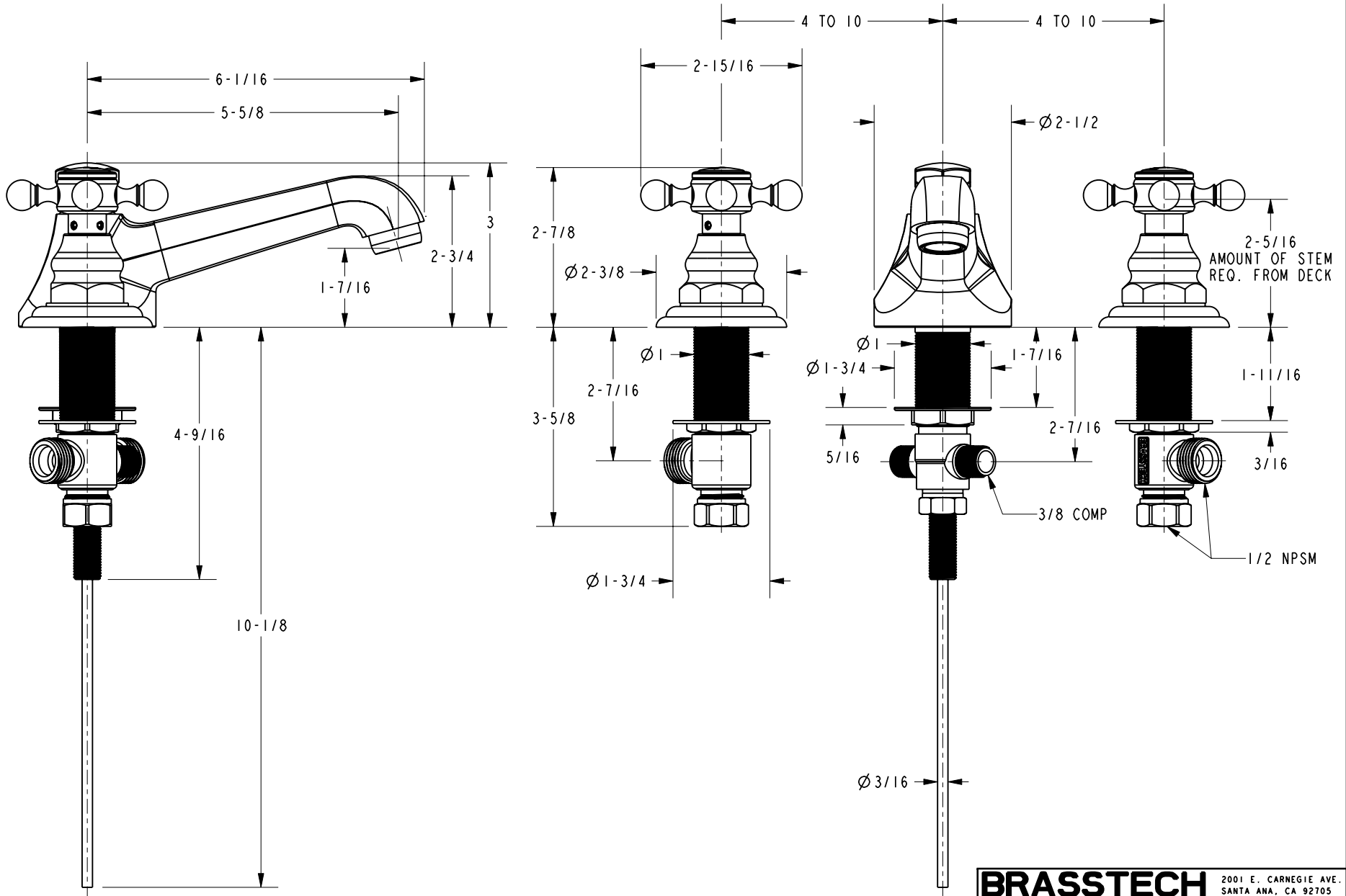
4

3

2

1

SPECIFICATION DWG



DIMENSIONS ARE IN INCHES AND AN APPROXIMATION OF A TYPICAL INSTALLATION

COPYRIGHT 2005 BRASSTECH, INC. THESE DRAWINGS AND THE DESIGNS DEPICTED HEREIN ARE THE PROPRIETARY PROPERTY OF BRASSTECH. ANY USE OR REPRODUCTION IS SUBJECT TO THE EXPRESS APPROVAL OF BRASSTECH. UNAUTHORIZED USE IS STRICTLY PROHIBITED. ALL RIGHTS RESERVED.

BRASSTECH		2001 E. CARNEGIE AVE.
INCORPORATED		SANTA ANA, CA 92705
		(949) 417-5207
DWG NO.	920	REV A
SCALE	0.250	SHEET 2 OF 2