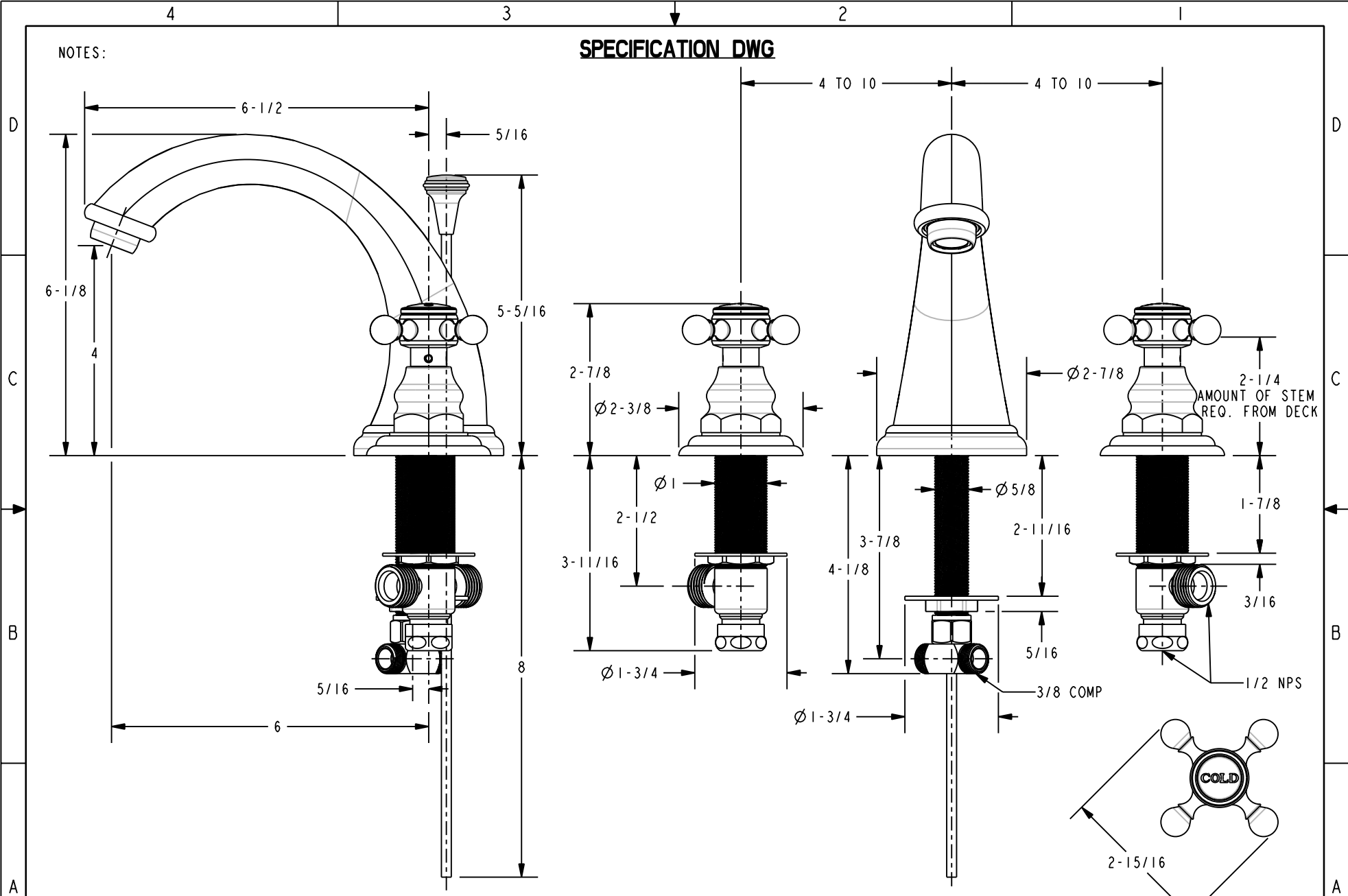


**SPECIFICATION DWG**

NOTES:



DIMENSIONS ARE IN INCHES AND AN APPROXIMATION OF A TYPICAL INSTALLATION

**BRASSTECH** 2001 E. CARNEGIE AVE.  
INCORPORATED SANTA ANA, CA 92705  
(949) 417-5207

WIDESPREAD FAUCET

ASSY. NO. 890\_SPEC

SCALE 0.400

REF. -

SHEET 1 OF 1

COPYRIGHT ©