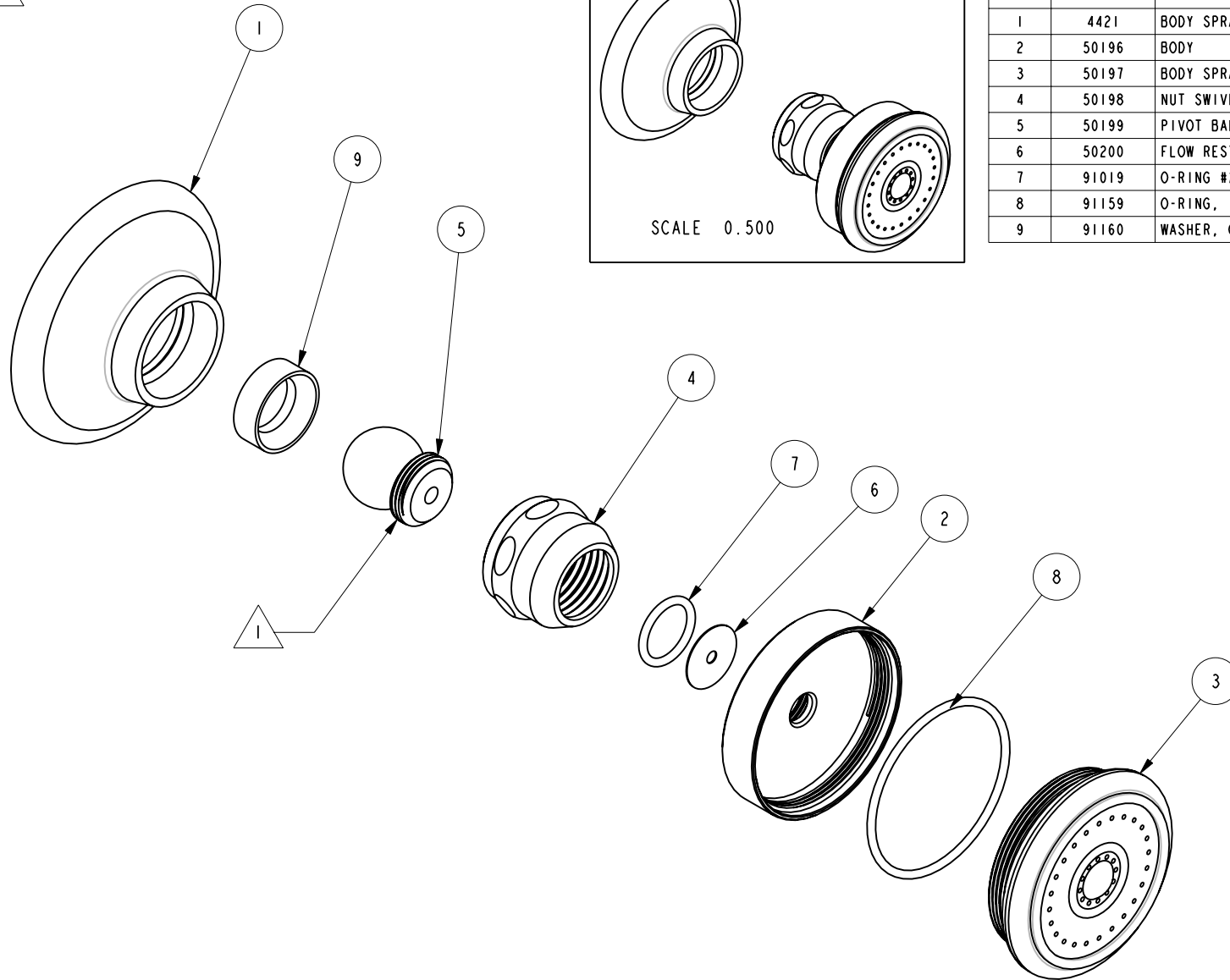
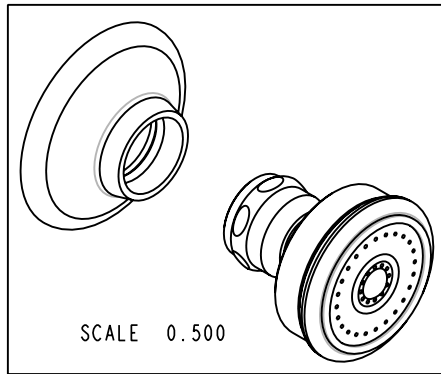


NOTES:

1 APPLY ADHESIVE LOCTITE 680 OR EQUIVALENT.

BILL OF MATERIAL (CURRENT LEVEL)

ITEM	PT/ASSY	DESCRIPTION	TYPE	QTY.
1	4421	BODY SPRAY FLANGE W/ O-RING	ASSEMBLY	1
2	50196	BODY	PART	1
3	50197	BODY SPRAY FACE PLATE	PART	1
4	50198	NUT SWIVEL	PART	1
5	50199	PIVOT BALL	PART	1
6	50200	FLOW RESTRICTOR	PART	1
7	91019	O-RING #2-014	PART	1
8	91159	O-RING, (PARKER #2-029)	PART	1
9	91160	WASHER, CONCAVE (RUBBER)	PART	1



COPYRIGHT 2005 BRASSTECH, INC. THESE DRAWINGS AND THE DESIGNS DEPICTED HEREIN ARE THE PROPRIETARY PROPERTY OF BRASSTECH. ANY USE OR REPRODUCTION IS SUBJECT TO THE EXPRESS APPROVAL OF BRASSTECH. UNAUTHORIZED USE IS STRICTLY PROHIBITED. ALL RIGHTS RESERVED.

**BRASSTECH**  
INCORPORATED  
2001 E. CARNEGIE AVE.  
SANTA ANA, CA 92705  
(949) 417-5207

BODY SPRAY

ASSY. NO. 217

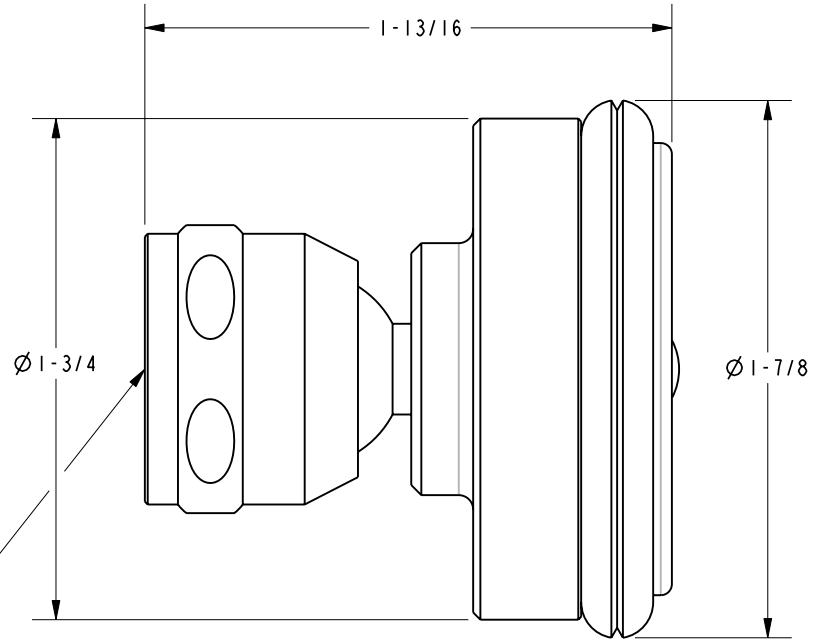
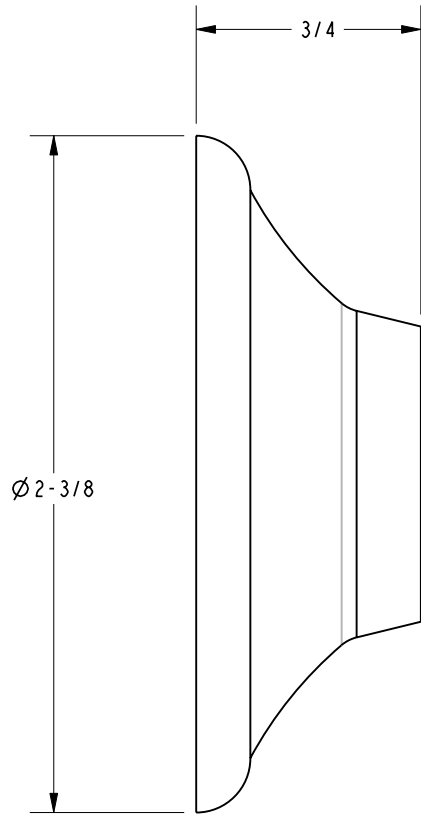
SCALE 0.750

REF. -

SHEET 1 OF 2

C	EO-0839	5/25/07
B	EO-0825	4/17/07
A	EO-0134	03/10/03
-	RELEASED	PRE '95
REV	REV DESC	DATE

**SPECIFICATION DWG**



1/2 NPSM

DIMENSIONS ARE IN INCHES AND AN APPROXIMATION OF A TYPICAL INSTALLATION

COPYRIGHT 2005 BRASSTECH, INC. THESE DRAWINGS AND THE DESIGNS DEPICTED HEREIN ARE THE PROPRIETARY PROPERTY OF BRASSTECH. ANY USE OR REPRODUCTION IS SUBJECT TO THE EXPRESS APPROVAL OF BRASSTECH. UNAUTHORIZED USE IS STRICTLY PROHIBITED. ALL RIGHTS RESERVED.

<b>BRASSTECH</b>		2001 E. CARNEGIE AVE.	
INCORPORATED		SANTA ANA, CA 92705	
		(949) 417-5207	
DWG NO.	217	REV	C
SCALE	1.500	REF.	-
		SHEET	2 OF 2