

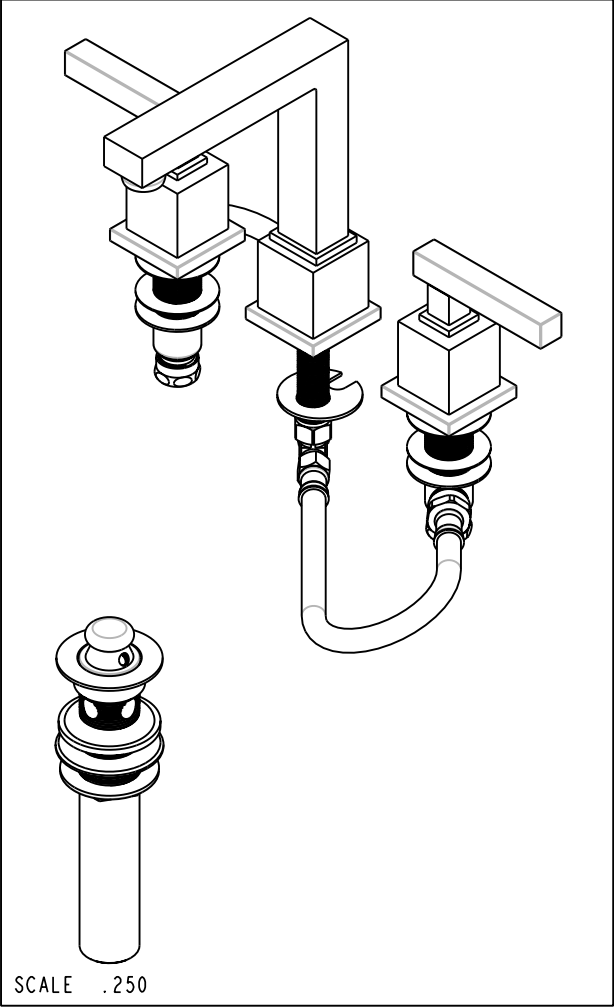
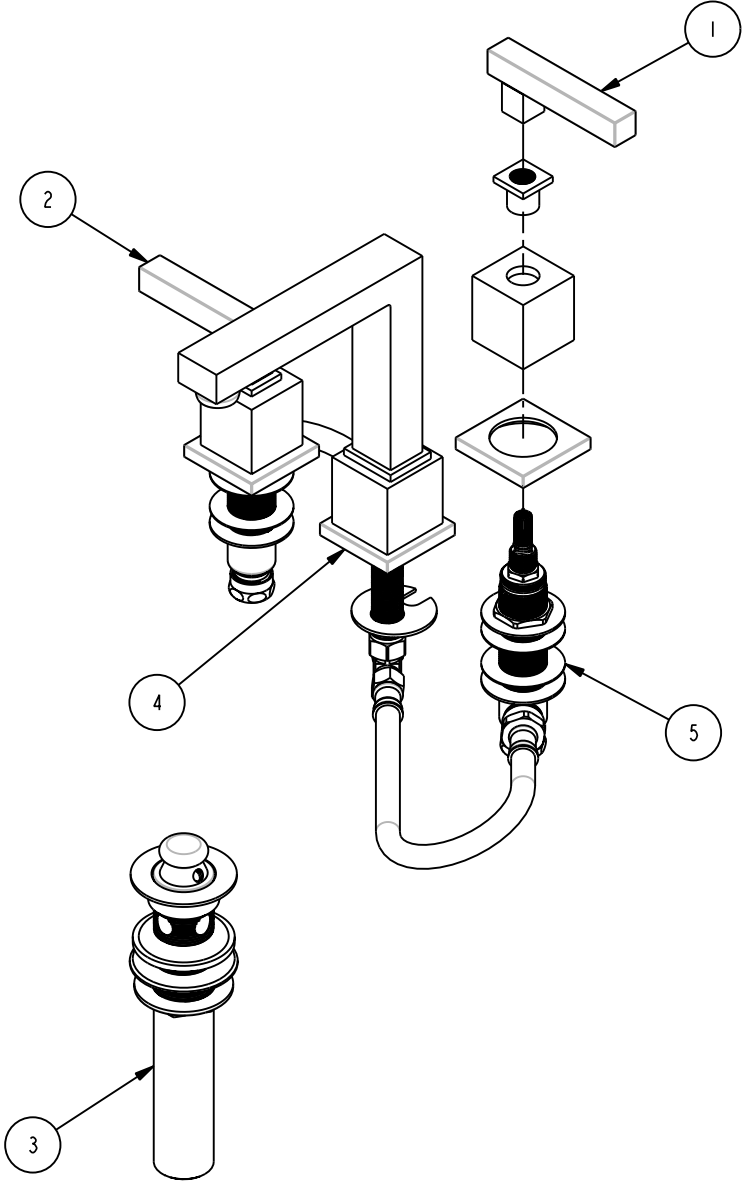
4

3

2

1

BILL OF MATERIAL (CURRENT LEVEL)				
ITEM	PT/ASSY	DESCRIPTION	TYPE	QTY.
1	3-220C	ASSY, HANDLE TRIM, COLD	ASSEMBLY	1
2	3-220H	ASSY, HANDLE TRIM, HOT	ASSEMBLY	1
3	320	DRAIN - LIFT & TURN	ASSEMBLY	1
4	3-282	W/S SPOUT ASM	ASSEMBLY	1
5	1-525	W/S VALVE INSTALLATION	ASSEMBLY	1



COPYRIGHT 2003 BRASSTECH, INC. THESE DRAWINGS AND THE DESIGNS DEPICTED HEREIN ARE THE PROPRIETARY PROPERTY OF BRASSTECH. ANY USE OR REPRODUCTION IS SUBJECT TO THE EXPRESS APPROVAL OF BRASSTECH. UNAUTHORIZED USE IS STRICTLY PROHIBITED. ALL RIGHTS RESERVED.

**BRASSTECH**  
INCORPORATED  
2001 E. CARNEGIE AVE.  
SANTA ANA, CA 92705  
(949) 417-5207

W/S LAV SET

ASSY. NO.		2030				EO-0259		03/22/04	
SCALE .250	REF. -	SHEET	OF	REV	REV DESC	DATE			

4

3

2

1