

4

3

2

1

D

D

C

C

B

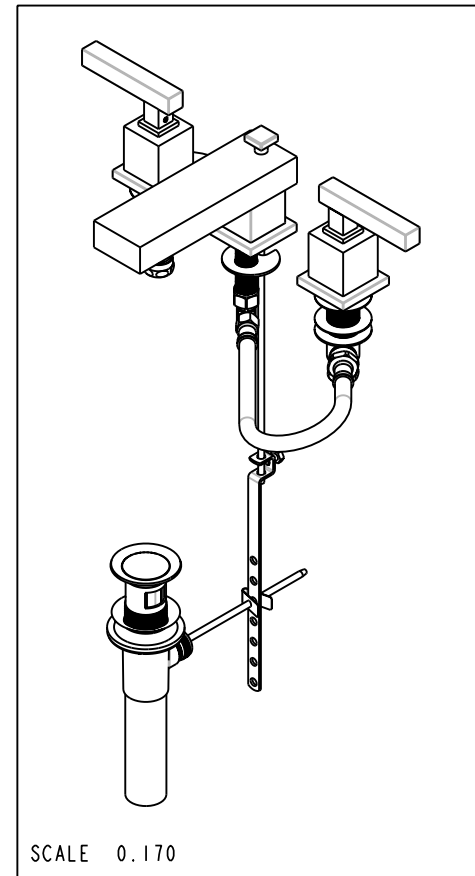
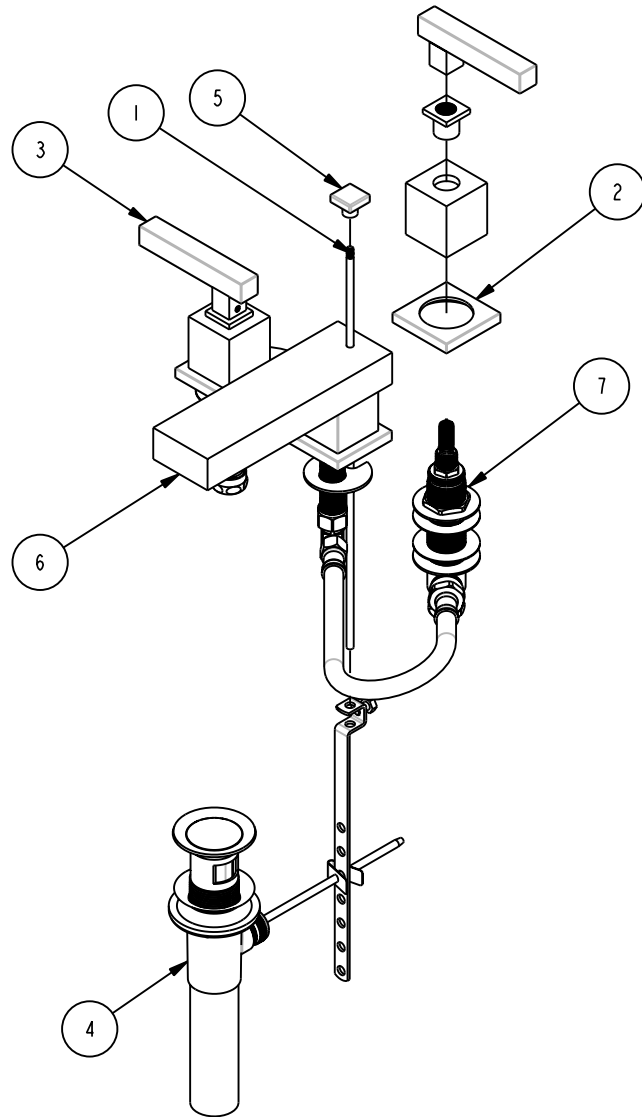
B

A

A

BILL OF MATERIAL (CURRENT LEVEL)

ITEM	PT/ASSY	DESCRIPTION	TYPE	QTY.
1	10288	3/16" POP UP ROD	PART	1
2	3-220C	ASSY, HANDLE TRIM, COLD	ASSEMBLY	1
3	3-220H	ASSY, HANDLE TRIM, HOT	ASSEMBLY	1
4	325	POP UP ASSEMBLY	ASSEMBLY	1
5	10676	SQUARE POP UP KNOB	PART	1
6	3-213	SQUARE W/S SPOUT	ASSEMBLY	1
7	1-525	W/S VALVE INSTALLATION	ASSEMBLY	1



COPYRIGHT 2003 BRASSTECH, INC. THESE DRAWINGS AND THE DESIGNS DEPICTED HEREIN ARE THE PROPRIETARY PROPERTY OF BRASSTECH. ANY USE OR REPRODUCTION IS SUBJECT TO THE EXPRESS APPROVAL OF BRASSTECH. UNAUTHORIZED USE IS STRICTLY PROHIBITED. ALL RIGHTS RESERVED.

BRASSTECH
INCORPORATED

2001 E. CARNEGIE AVE.
SANTA ANA, CA 92705
(949) 417-5207

SQUARE W/S LAVATORY FAUCET

ASSY. NO. 2020		A	EO-0259	03/22/04
SCALE 0.200		-	RELEASED	09/27/99
REF. -	SHEET OF	REV	REV DESC	DATE

4

3

2

1