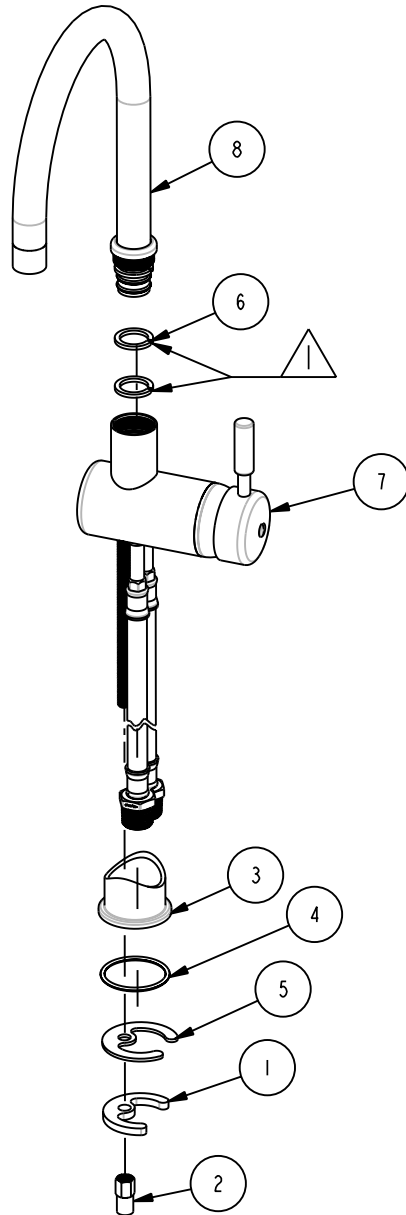


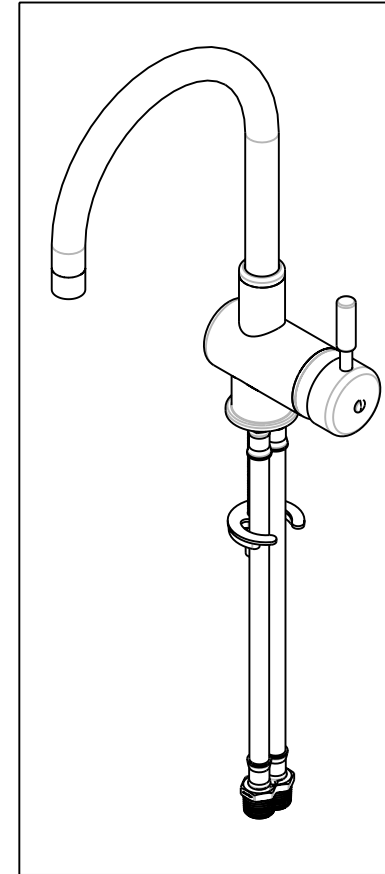
NOTES:

 TRIM 3/8" OF SPLIT RING AND PLACE BETWEEN SPOUT AND BODY.



**BILL OF MATERIAL (CURRENT LEVEL)**

ITEM	PT/ASSY	DESCRIPTION	TYPE	QTY.
1	10514	MOUNTING CRESENT	PART	1
2	10516	MOUNTING NUT	PART	1
3	10652	BODY COLLAR	PART	1
4	91031	O-RING (AS-568A NO.:129)	PART	1
5	91063	GASKE RBR, MOUNTING CRESENT	PART	1
6	91111	SPLIT RING 3/4 X 1 NYLON	PART	2
7	3-205	BODY, CARTRIDGE, HANDLE ASSM.	ASSEMBLY	1
8	3-206	ROUND SPOUT	ASSEMBLY	1



COPYRIGHT 2003 BRASSTECH, INC. THESE DRAWINGS AND THE DESIGNS DEPICTED HEREIN ARE THE PROPRIETARY PROPERTY OF BRASSTECH. ANY USE OR REPRODUCTION IS SUBJECT TO THE EXPRESS APPROVAL OF BRASSTECH. UNAUTHORIZED USE IS STRICTLY PROHIBITED. ALL RIGHTS RESERVED.

**BRASSTECH**  
INCORPORATED  
2001 E. CARNEGIE AVE.  
SANTA ANA, CA 92705  
(949) 417-5207

SINGLE BAR / KIT FAUCET

ASSY. NO. 2008

SCALE 0.200

REF. -

SHEET 1 OF 1

B	EO-0145	01/30/03
A	REVISION	06/20/02
-	RELEASED	10/26/00
REV	REV DESC	DATE