

4

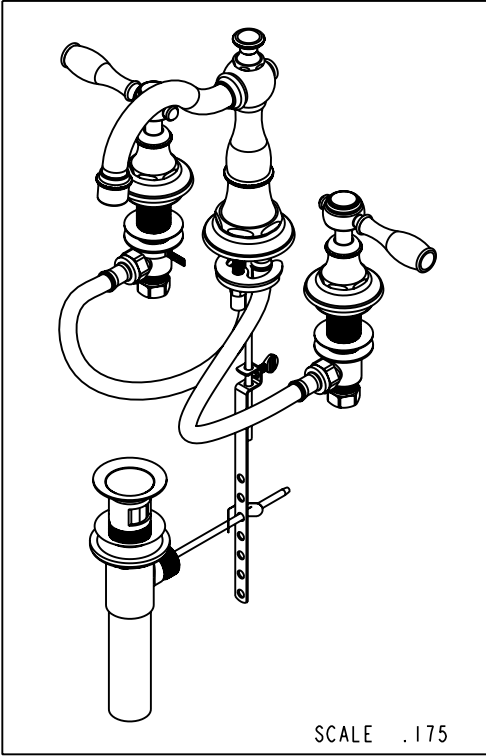
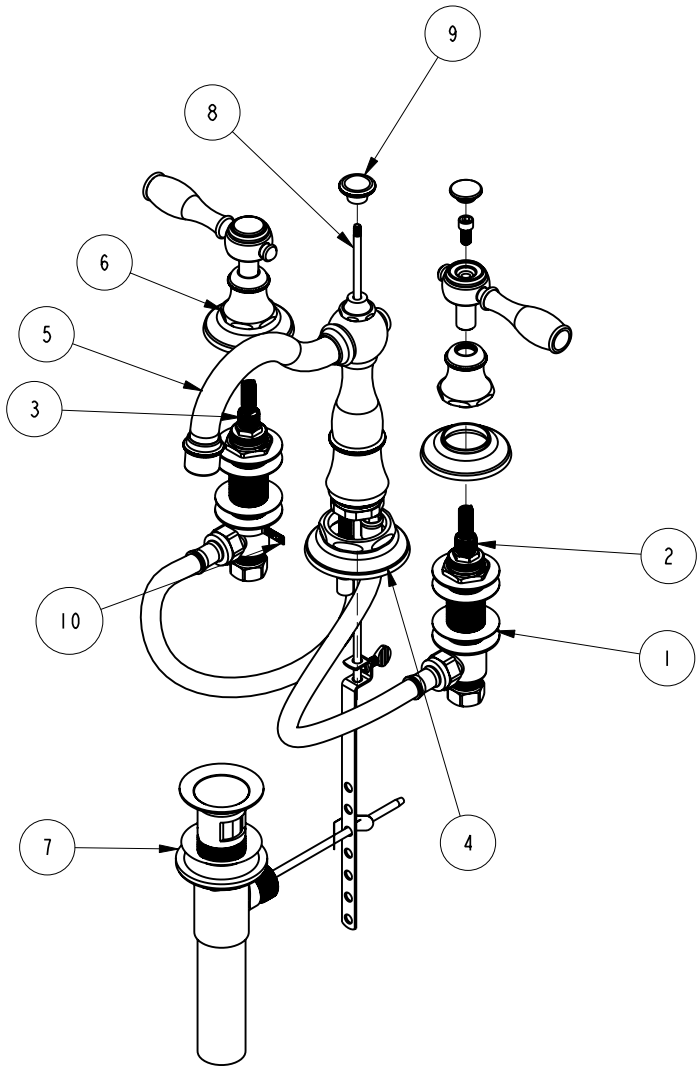
3

2

1

BILL OF MATERIAL (CURRENT LEVEL)

ITEM	PT/ASSY	DESCRIPTION	TYPE	QTY.
1	1-027	WIDE SPREAD MOUNTING HARDWARE	ASSEMBLY	1
2	1-526	W/S CART/BODY ASM (COLD)	ASSEMBLY	1
3	1-527	W/S CART/BODY ASM (HOT)	ASSEMBLY	1
4	2-535	BASE RING, W/S SPOUT	ASSEMBLY	1
5	3-295	W/S SPOUT ASM	ASSEMBLY	1
6	3-323	LEVER HANDLE ASSEMBLY	ASSEMBLY	2
7	325	POP UP ASSEMBLY	ASSEMBLY	1
8	30070	POP-UP ROD	PART	1
9	30225	POPUP KNOB	PART	1
10	98037	STICKER LABEL A112.18.1	PART	1



COPYRIGHT 2005 BRASSTECH, INC. THESE DRAWINGS AND THE DESIGNS DEPICTED HEREIN ARE THE PROPRIETARY PROPERTY OF BRASSTECH. ANY USE OR REPRODUCTION IS SUBJECT TO THE EXPRESS APPROVAL OF BRASSTECH. UNAUTHORIZED USE IS STRICTLY PROHIBITED. ALL RIGHTS RESERVED.

**BRASSTECH**  
 INCORPORATED  
 2001 E. CARNEGIE AVE.  
 SANTA ANA, CA 92705  
 (949) 417-5207

W/S SET W/ LEVER HANDLES

ASSY. NO.	1770		A	EO-0758	09/11/06
SCALE .200	REF. -	SHEET 1 OF 2	-	EO-0744	07/14/06
			REV	REV DESC	DATE

4

3

2

1

