

4

3

2

1

NOTES:

### SPECIFICATION DWG

D

D

C

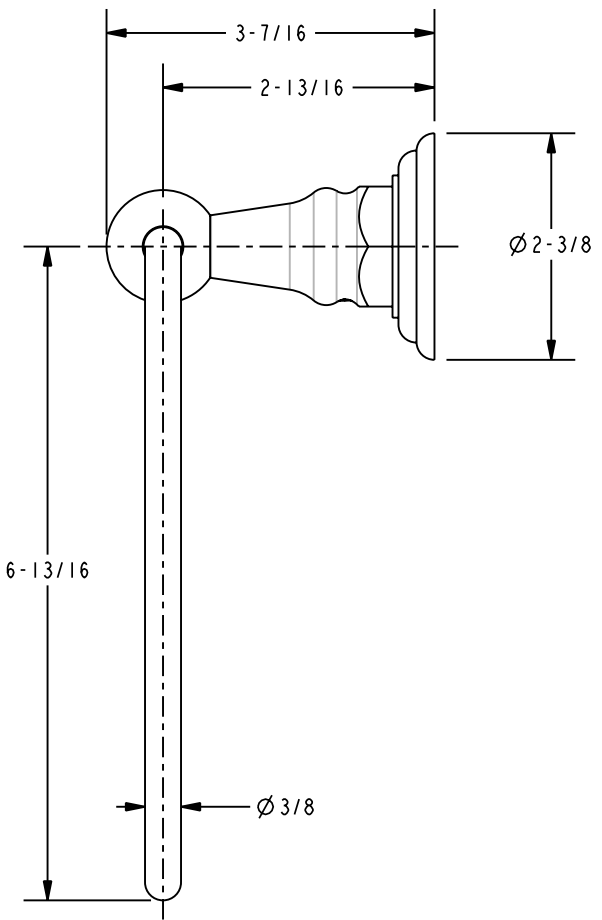
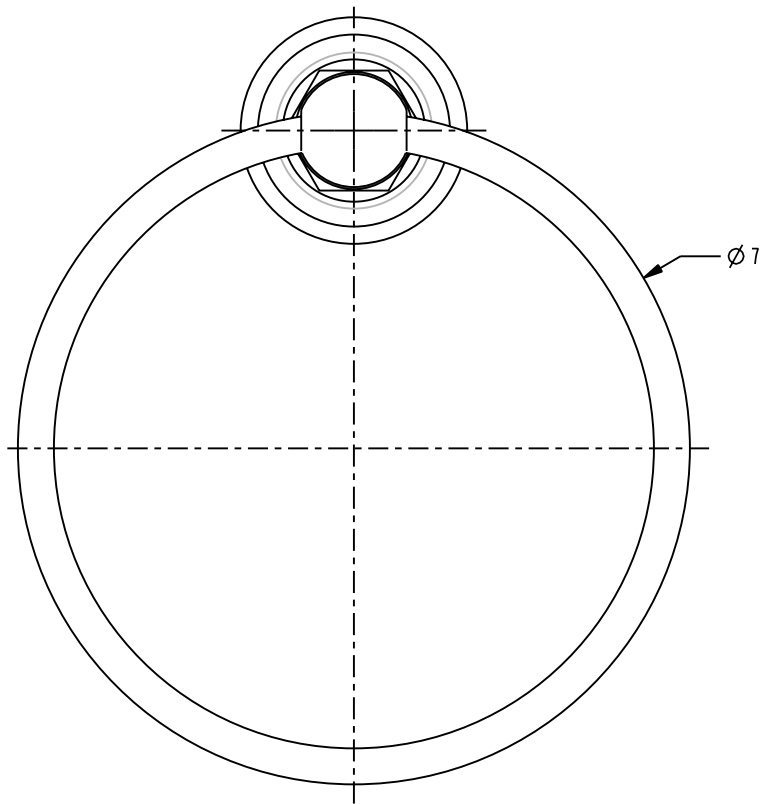
C

B

B

A

A



DIMENSIONS ARE IN INCHES AND AN APPROXIMATION OF A TYPICAL INSTALLATION

**BRASSTECH** 2001 E. CARNEGIE AVE.  
 INCORPORATED SANTA ANA, CA 92705  
 (949) 417-5207

## TOWEL RING

ASSY. NO. 5923\_SPEC

SCALE 0.500

REF. -

SHEET 1 OF 1

COPYRIGHT ©

4

3

2

1