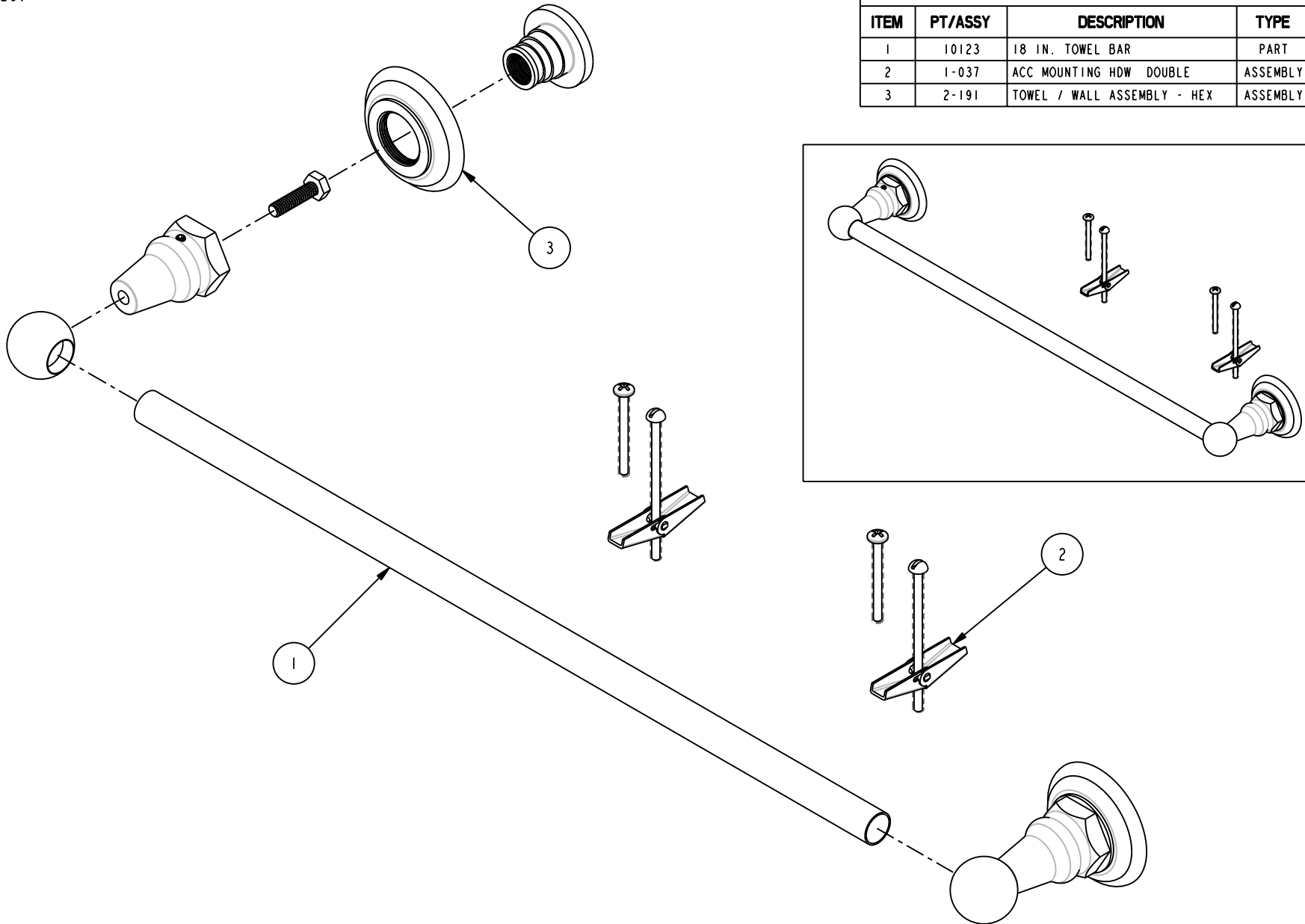


NOTES:

BILL OF MATERIAL (CURRENT LEVEL)

ITEM	PT/ASSY	DESCRIPTION	TYPE	QTY.
1	10123	18 IN. TOWEL BAR	PART	1
2	1-037	ACC MOUNTING HDW DOUBLE	ASSEMBLY	1
3	2-191	TOWEL / WALL ASSEMBLY - HEX	ASSEMBLY	2



BRASSTECH 2001 E. CARNEGIE AVE
 INCORPORATED SANTA ANA, CA 92705
 (949) 417-5207

18 IN. TOWEL BAR

ASSY. NO. 5920

SCALE 0.400

REF. -

SHEET 1 OF 1

COPYRIGHT ©