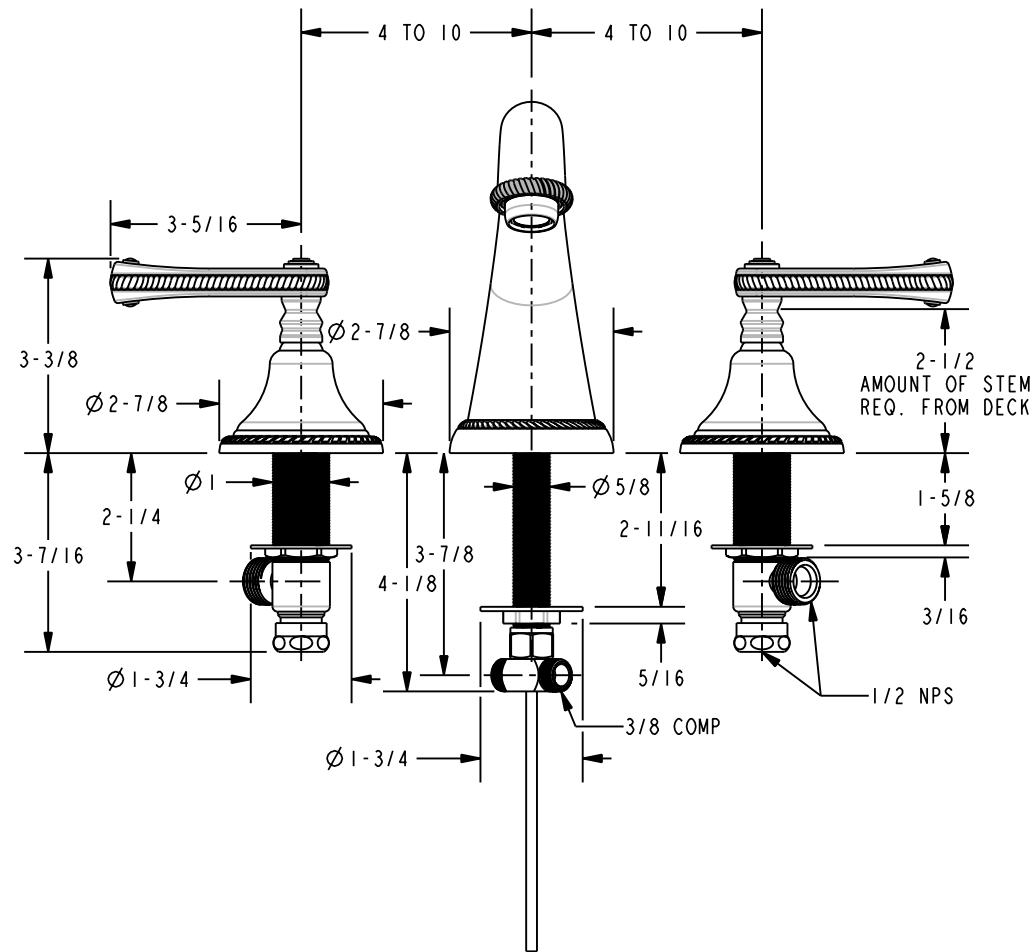
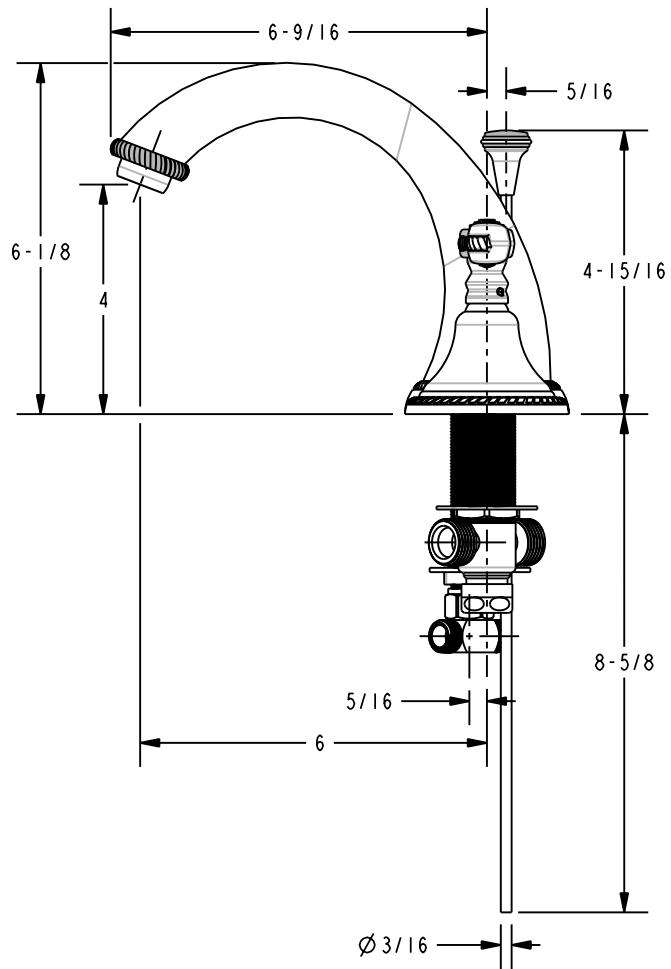


SPECIFICATION DWG



DIMENSIONS ARE IN INCHES AND AN APPROXIMATION OF A TYPICAL INSTALLATION

BRASSTECH 2001 E. CARNEGIE AVE.
INCORPORATED SANTA ANA, CA 92705
(949) 417-5207

WIDESPREAD FAUCET

ASSY. NO.	1020_SPEC	-
SCALE	0.300	REF. -
SHEET	1	OF 1
COPYRIGHT ©		