

4

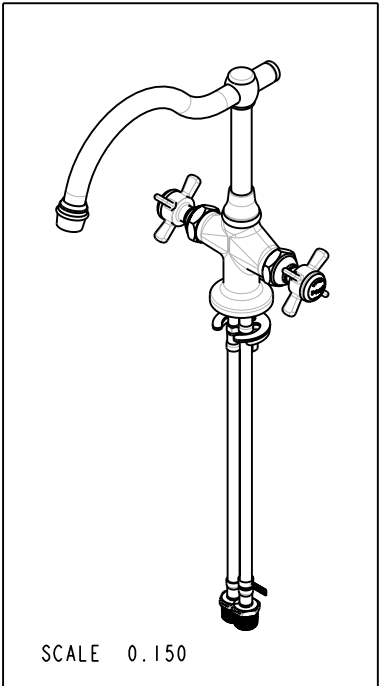
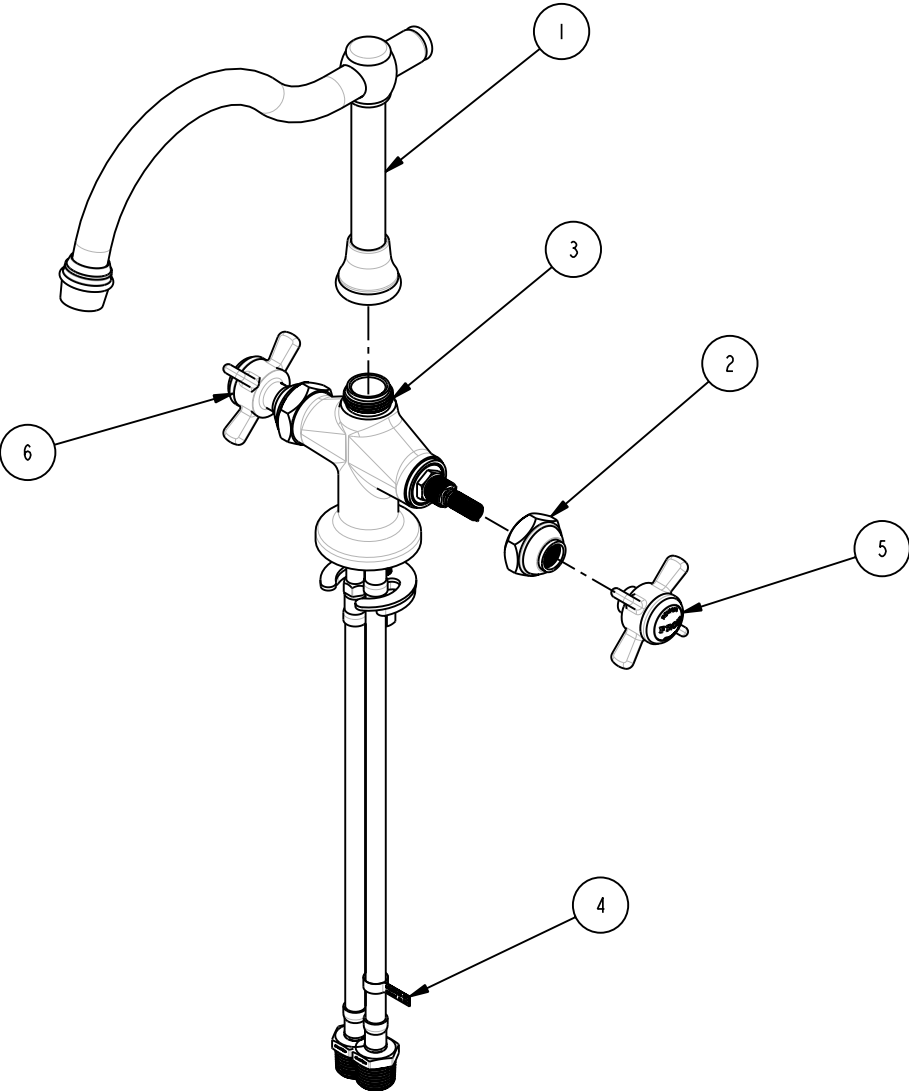
3

2

1

BILL OF MATERIAL (CURRENT LEVEL)

ITEM	PT/ASSY	DESCRIPTION	TYPE	QTY.
1	3-221	BAR SPOUT ASM - COMP	ASSEMBLY	1
2	10517	NUT - DOME HEX	PART	2
3	2-239	SINGLE HOLE CROSS BAR ASSEMBLY	ASSEMBLY	1
4	98037	STICKER LABEL A112.18.1	PART	1
5	2-115	THIN BLADE X - HANDLE COLD	ASSEMBLY	1
6	2-114	THIN BLADE X - HANDLE HOT	ASSEMBLY	1



COPYRIGHT 2003 BRASSTECH, INC. THESE DRAWINGS AND THE DESIGNS DEPICTED HEREIN ARE THE PROPRIETARY PROPERTY OF BRASSTECH. ANY USE OR REPRODUCTION IS SUBJECT TO THE EXPRESS APPROVAL OF BRASSTECH. UNAUTHORIZED USE IS STRICTLY PROHIBITED. ALL RIGHTS RESERVED.

**BRASSTECH**  
 INCORPORATED  
 2001 E. CARNEGIE AVE.  
 SANTA ANA, CA 92705  
 (949) 417-5207

VICTORIAN BAR FAUCET

ASSY. NO.		1008	B	EO-0274	10/20/03
SCALE 0.250		REF. -	A	EO-0098	10/17/02
SHEET 1 OF 2		REV	-	RELEASED	06/06/01
		REV	REV	DESC	DATE

4

3

2

1

D

C

B

A

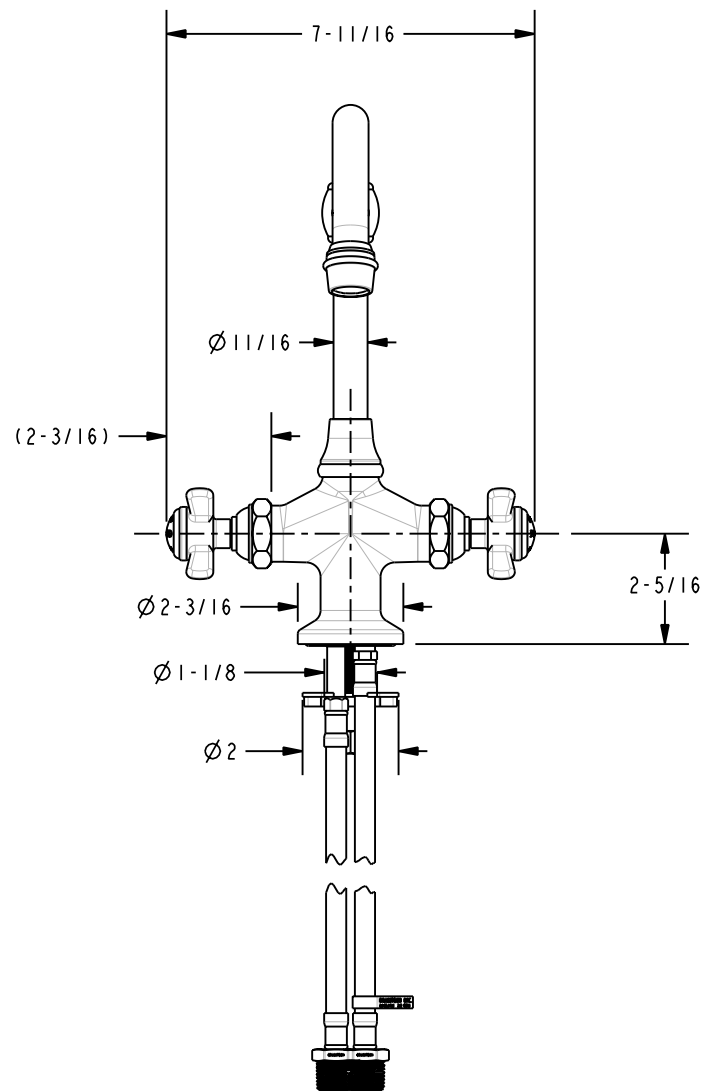
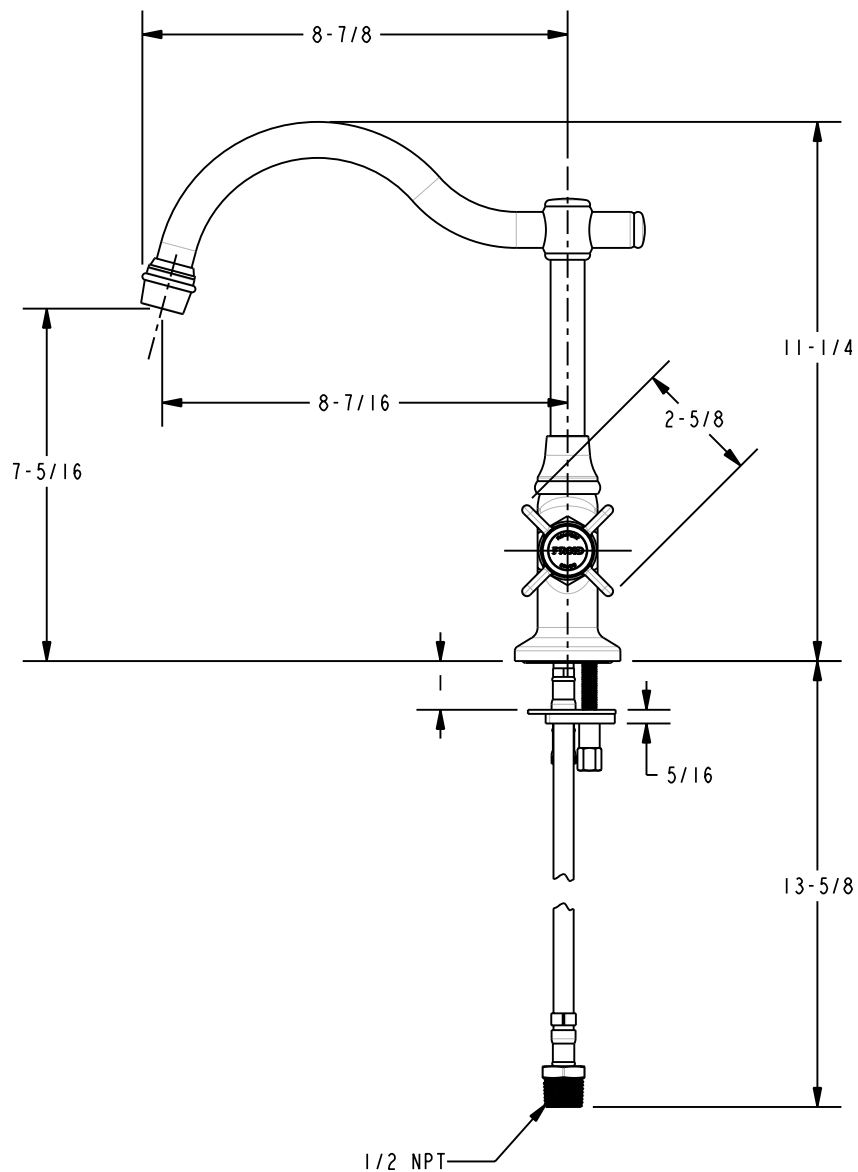
D

C

B

A

**SPECIFICATION DWG**



DIMENSIONS ARE IN INCHES AND AN APPROXIMATION OF A TYPICAL INSTALLATION

COPYRIGHT 2004 BRASSTECH, INC. THESE DRAWINGS AND THE DESIGNS DEPICTED HEREIN ARE THE PROPRIETARY PROPERTY OF BRASSTECH. ANY USE OR REPRODUCTION IS SUBJECT TO THE EXPRESS APPROVAL OF BRASSTECH. UNAUTHORIZED USE IS STRICTLY PROHIBITED. ALL RIGHTS RESERVED.

<b>BRASSTECH</b>		2001 E. CARNEGIE AVE.	
INCORPORATED		SANTA ANA, CA 92705	
		(949) 417-5207	
DWG NO.	1008	REV	B
SCALE	0.250	REF.	-
		SHEET	2 OF 2