

4

3

2

1

D

D

C

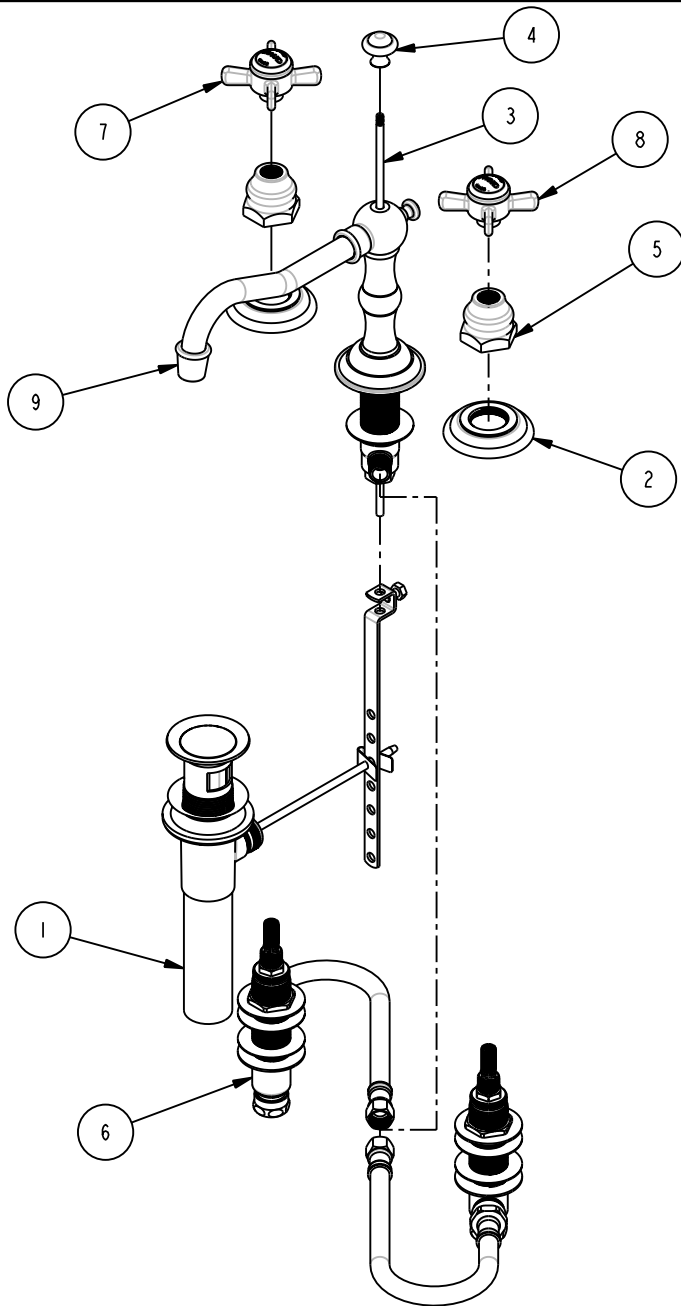
C

B

B

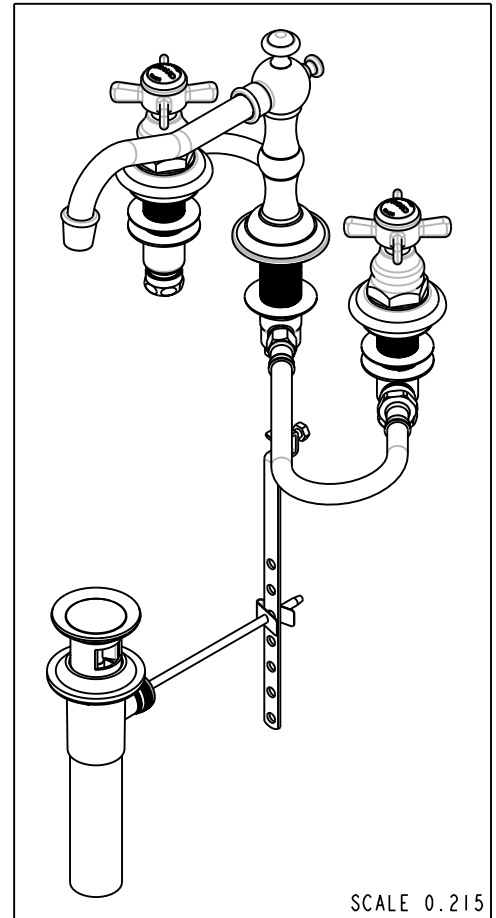
A

A



BILL OF MATERIAL (CURRENT LEVEL)

ITEM	PT/ASSY	DESCRIPTION	TYPE	QTY.
1	325	POP UP ASSEMBLY	ASSEMBLY	1
2	10048	ESCUTCHEON W/S VALVE	PART	2
3	10288	3/16" POP UP ROD	PART	1
4	10289	POP-UP KNOB	PART	1
5	10523	HEX ESCUTCHEON BONNET	PART	2
6	1-525	W/S VALVE INSTALLATION	ASSEMBLY	1
7	2-114	THIN BLADE X - HANDLE HOT	ASSEMBLY	1
8	2-115	THIN BLADE X - HANDLE COLD	ASSEMBLY	1
9	3-168	WIDE SPREAD SPOUT ONLY	ASSEMBLY	1



BRASSTECH 2001 E. CARNEGIE AVE
 INCORPORATED SANTA ANA, CA 92705
 (949) 417-5207

WIDE SPREAD WITH BLADE X - HDL

ASSY. NO. 1000

A

SCALE 0.200

REF. -

SHEET 1 OF 1

COPYRIGHT ©

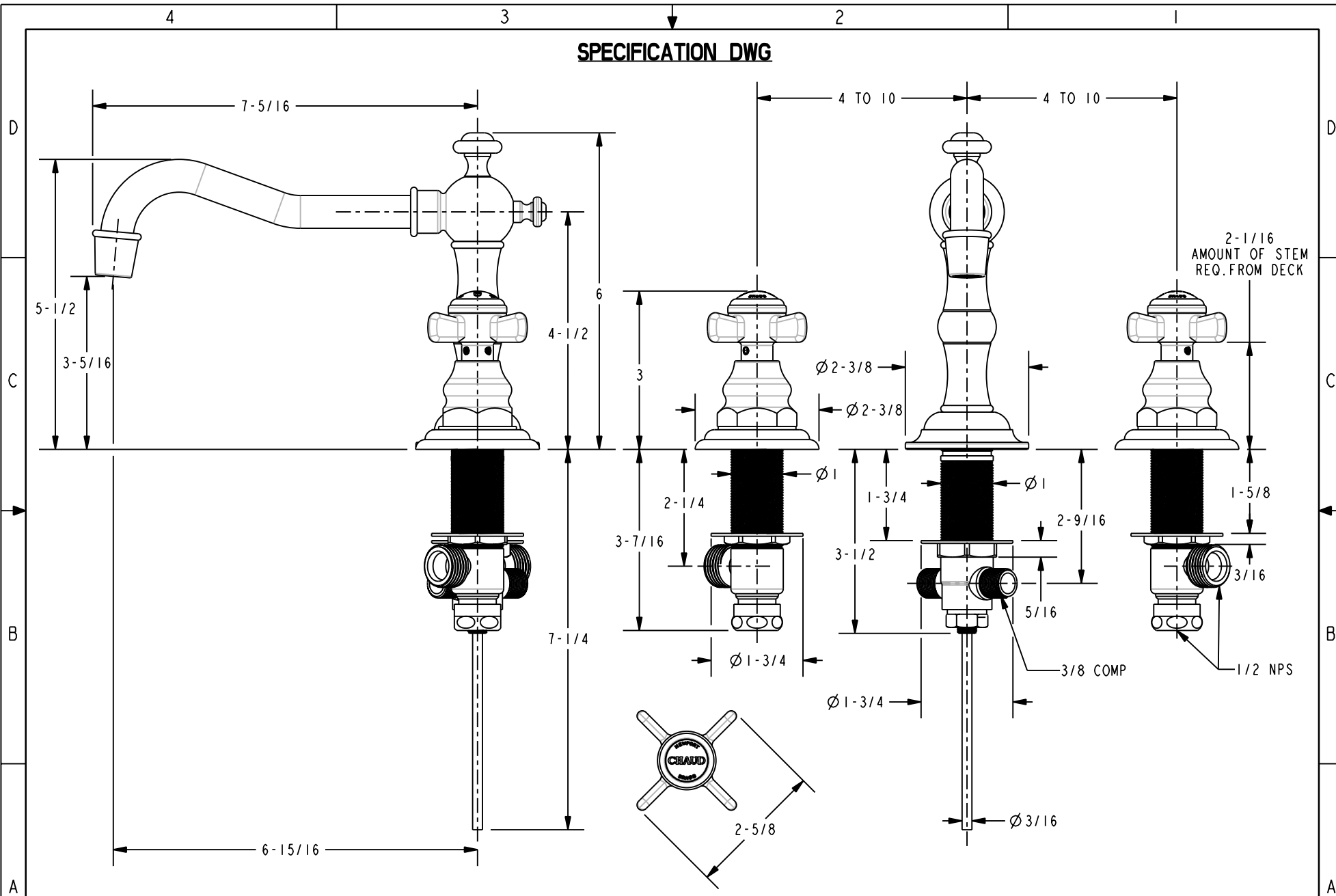
4

3

2

1

SPECIFICATION DWG



DIMENSIONS ARE IN INCHES AND AN APPROXIMATION OF A TYPICAL INSTALLATION

BRASSTECH 2001 E. CARNEGIE AVE.
INCORPORATED SANTA ANA, CA 92705
(949) 417-5207

WIDE SPREAD WITH BLADE X - HDL

ASSY. NO. 1000_SPEC

A

SCALE 0.400

REF. -

SHEET 1 OF 1

COPYRIGHT ©