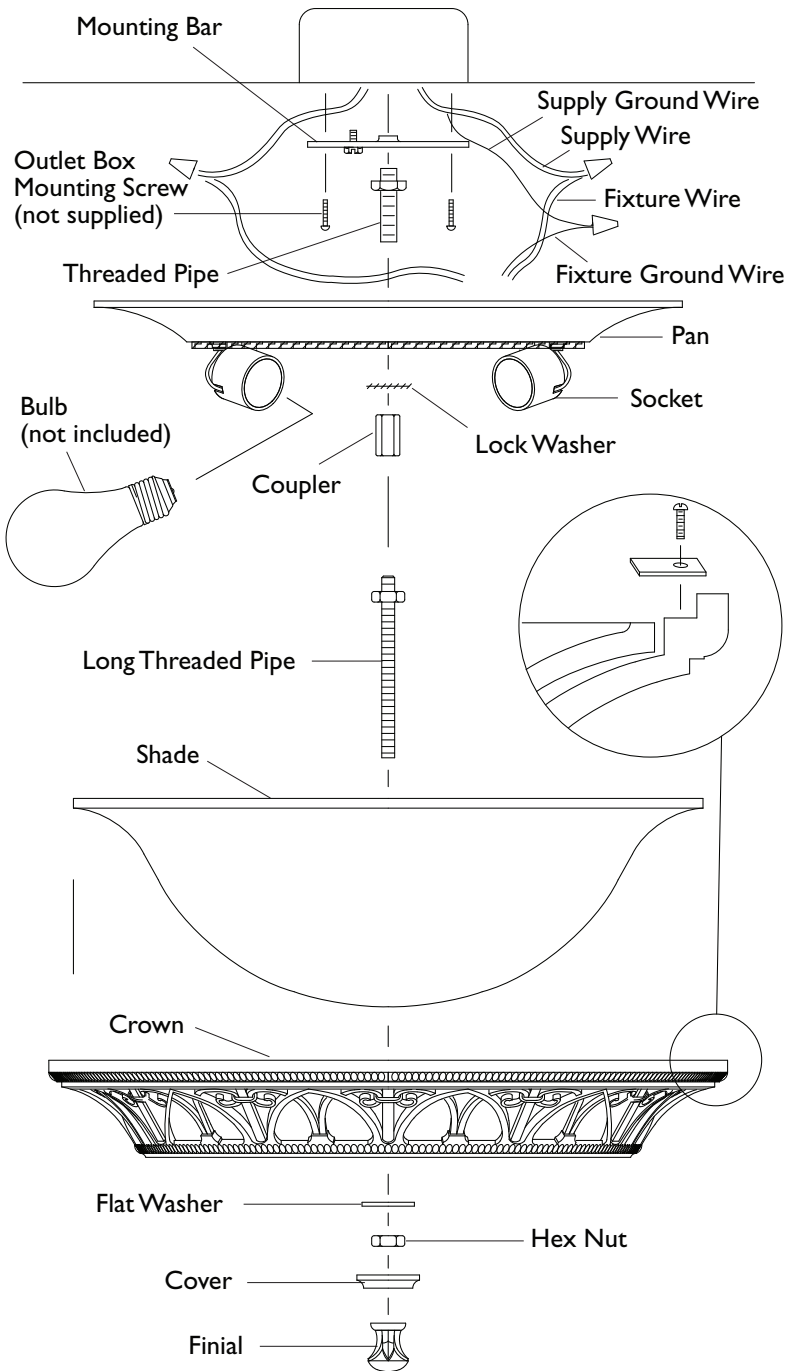


# Assembly Instructions For

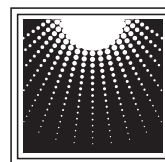
# FM297 (E) 3/08



## IMPORTANT TURN OFF THE POWER AT THE MAIN FUSE OR CIRCUIT BREAKER BOX BEFORE STARTING INSTALLATION

Carefully unpack and identify all parts before assembly. Bulb not included.

1. Attach mounting bar securely to ceiling junction box with two machine screws (supplied with junction box) through slot at each end of mounting bar.  
Note: mounting bar should be installed with "GND" imprint and/or two dimples facing down.
2. Fasten one hex nut about 3/4" (19 mm) down from one end of threaded pipe. Then screw same end of threaded pipe into center hole in mounting bar. At this point test install the pan onto ceiling through this threaded pipe and make certain 3/8" (10 mm) of pipe protrude below. If not, then adjust the threaded pipe location by screwing up or down accordingly. Once correct threaded pipe location has been adjusted, remove pan and tighten hex nut against mounting bar. Make certain not to spin threaded pipe during tightening.
3. Spread the electrical wires so that the black wires are on one side of the outlet box and the white wires are on the other side.
4. Electrical connections:  
Connect the white wire from the fixture to the white wire of the outlet box. Connect the black wire from the fixture to the black wire of the outlet box.  
NOTE: Black outlet box wire may be red, round & smooth and/or have copper conductor. White outlet box wire may be square & ridged and/or have a silver conductor.
5. Grounding Connection:  
Connect fixture ground wire (without insulation) to ground wire from outlet box (usually with green insulation) with wire connector (not provided).  
IMPORTANT: Never connect ground wire to black or white power supply wires.
6. Place pan thru top threaded pipe so that it sits flush against ceiling. Be sure all wires are inside pan. Secure pan to ceiling by fastening lock washer and coupler onto top threaded pipe. Note: Coupler must turn at least 3 times, if it does not you must remove coupler and lengthen threaded pipe accordingly.
7. Install bulb (not included). See relamping label located at socket area for type and maximum allowed wattage.
8. Install a hex nut onto one end of long threaded pipe leaving about 1/2" (13 mm) thread exposed. Screw same end of threaded pipe into coupler. Tighten hex nut.
9. Install shade and crown:
  - A. Carefully place shade inside of crown and lock into position by fastening with tab and short screws. Make certain shade is securely locked.
  - B. Slip shade and crown assembly through the long threaded pipe until crown is securely placed. Lock them into position by fastening with a flat washer and hex nut at bottom.  
IMPORTANT: DO NOT OVER TIGHTEN.
  - C. Slip cover and fasten with finial.



**MURRAY  
FEISS**

Generation Brands™