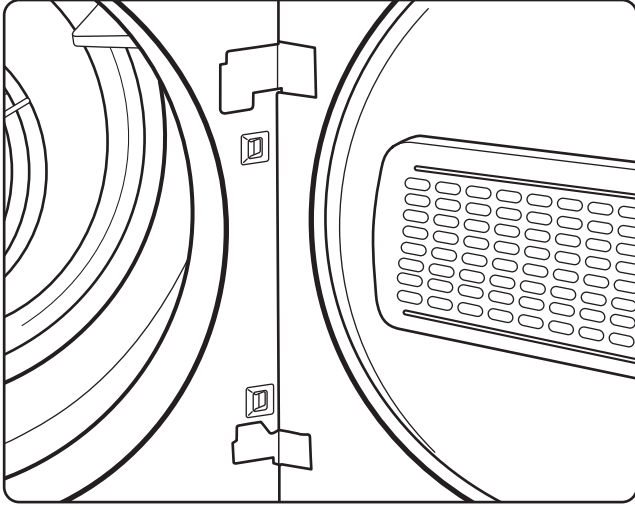
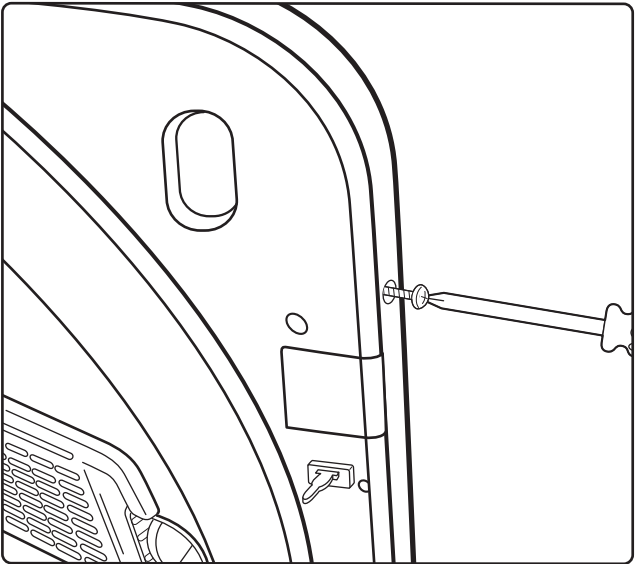


Door Reversal

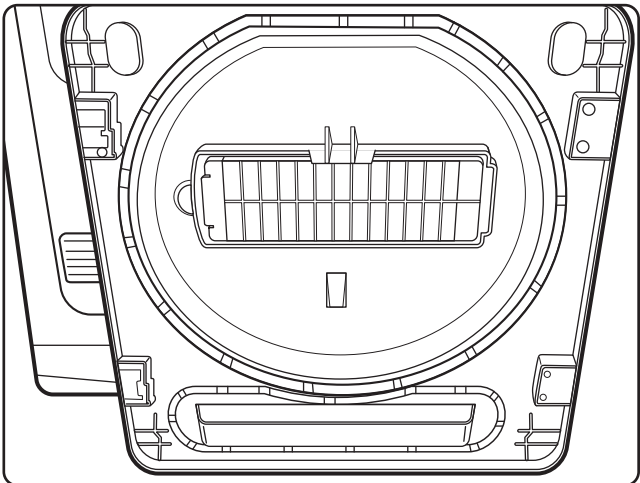
1. Disconnect power supply to unit.
2. Remove top hinge screw. Loosen but do not lower hinge screw on the top hinge. Repeat procedure for the lower hinge.
3. Lift the door and remove from dryer.



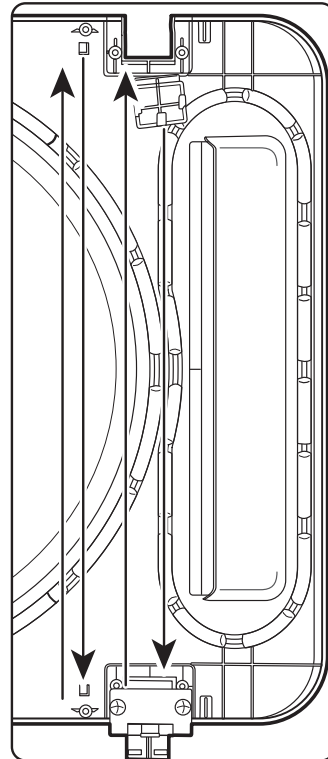
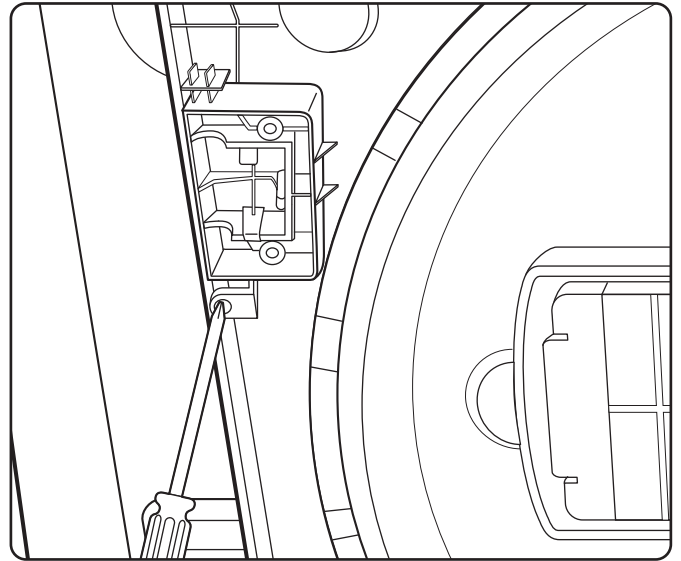
4. Remove 4 screws around perimeter of door.



5. Remove door skin to expose inner door panel.



6. Remove the internal door and hinge components and reassemble them to the opposite side of the Inner Door Panel.



7. Reassemble the outer door skin to the Inner Door Panel.
8. Reassemble door to Dryer.

