

PRODUCT DESCRIPTION

- Brass construction w/chrome plated finish
- 3/4" IPS supply
- 3/4" top spud

OPERATION

- Adjustable sensor eyes
- Battery powered (4) AA
- Self-diagnostic electronics
- Piston flushing mechanism
- Low battery indicator light

FLOW

- Adjustable flow control
- 0.5 - 3.5 gpf (gallons per flush)
- 24 hour sentinel flush
- Manual override button

VALVES

- 3/4" IPS angle stop (vandal resistant)
- Self cleaning filter system

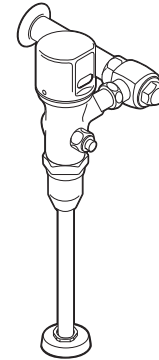
STANDARDS

- Third party certified by IAPMO and CSA to meet ASME A112.19.2M and all applicable requirements referenced therein and complies with requirements of ASSE 1037 warranty

WARRANTY

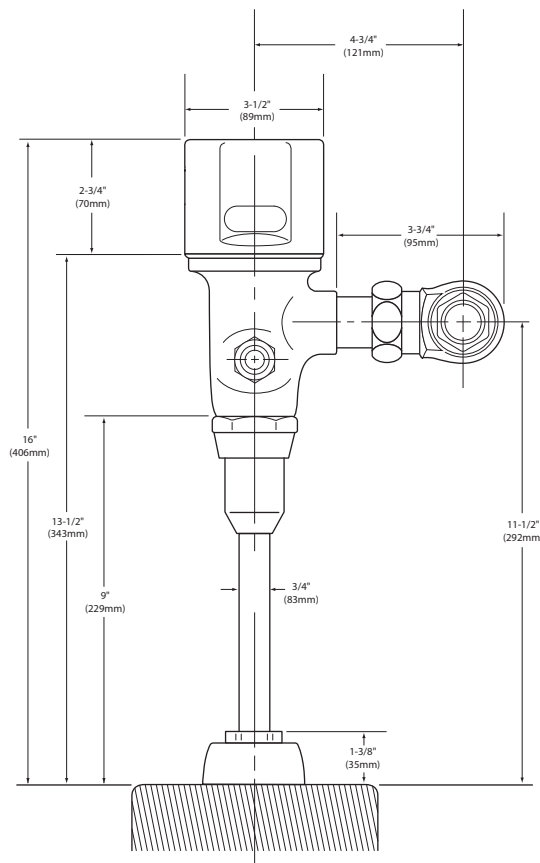
- Warranted 1 year for electronic components and 5 years for all other components against material or mfg defects.

ADA 



3/4" Battery Powered Exposed Style Urinal Flush Valve

Model: 8312



CRITICAL DIMENSIONS

(DO NOT SCALE)