

## FAUCET DESCRIPTION

- Rough chrome plated brass construction
- Supplied with spout and hose end connection
- 1/2" IPS connections
- Supplied with vandal resistant screws

## OPERATION

- Cross style handles with hot and cold color indicators
- Hot side counterclockwise (1/4) turn to open (clockwise to close)
- Cold side clockwise (1/4) turn to open (counterclockwise to close)

## FLOW

- Unrestricted

## CARTRIDGE

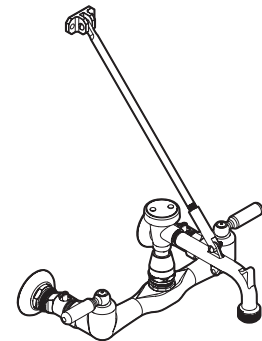
- Ceramic 28mm cartridge design
- Nonmetallic and nonferrous material

## STANDARDS

- Third party certified by IAPMO and CSA to meet ASME A112.18.1M, and all applicable specifications referenced therein and complies with the applicable requirements of ANSI A117.1

## WARRANTY

- Warranted for 5 years against material or manufacturing defects

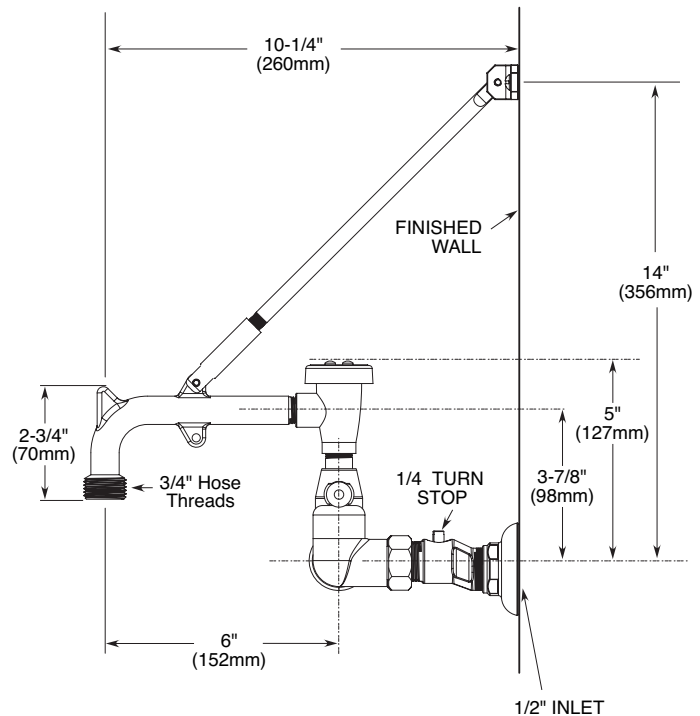
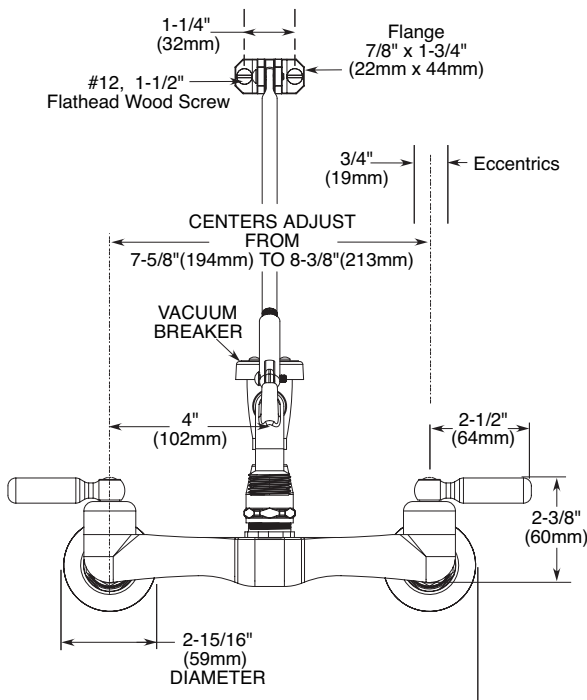


ADA



**Two-Handle Service Sink Faucet**

**Model: 8124 (Chrome)**



## CRITICAL DIMENSIONS

(DO NOT SCALE)